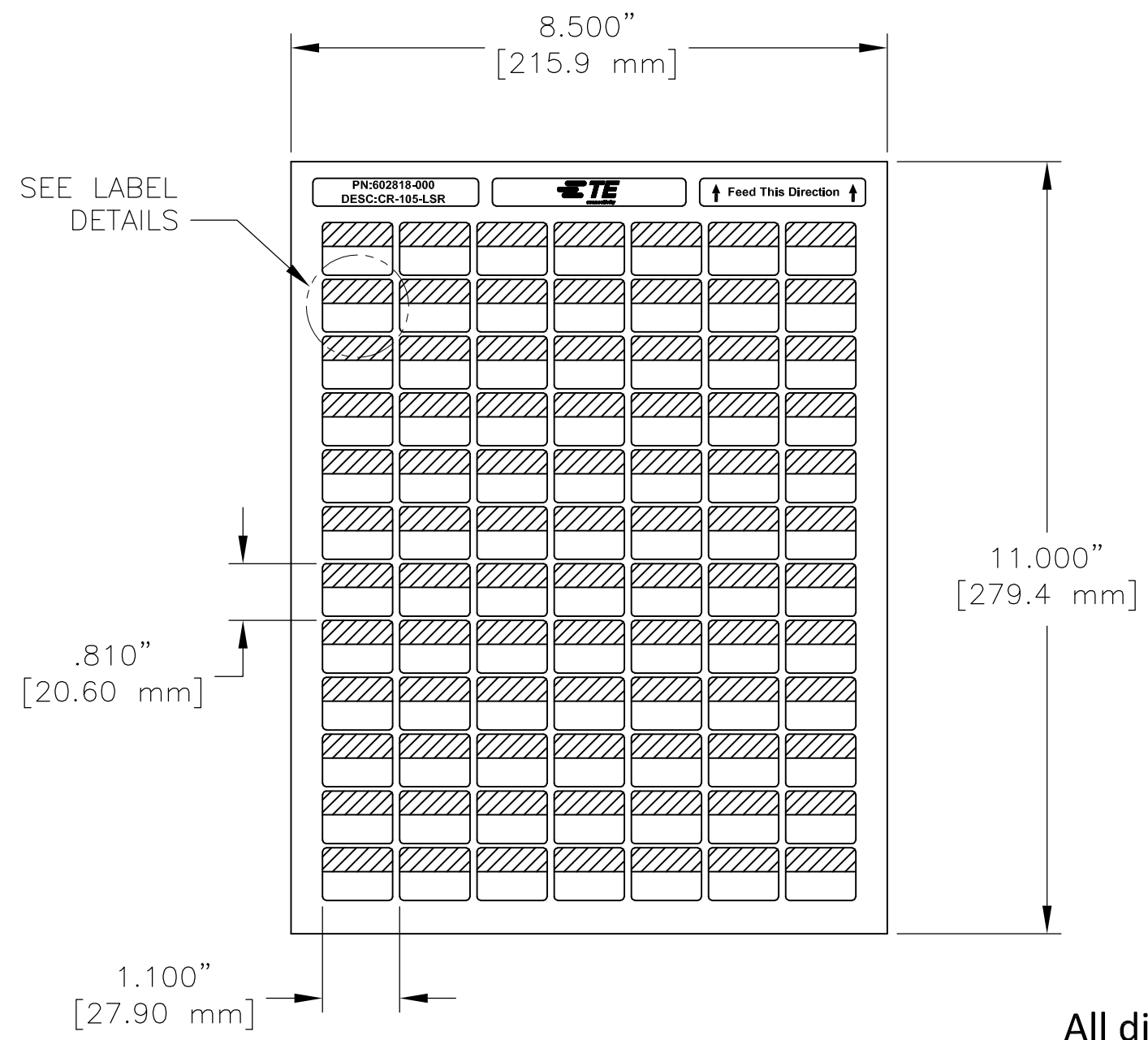
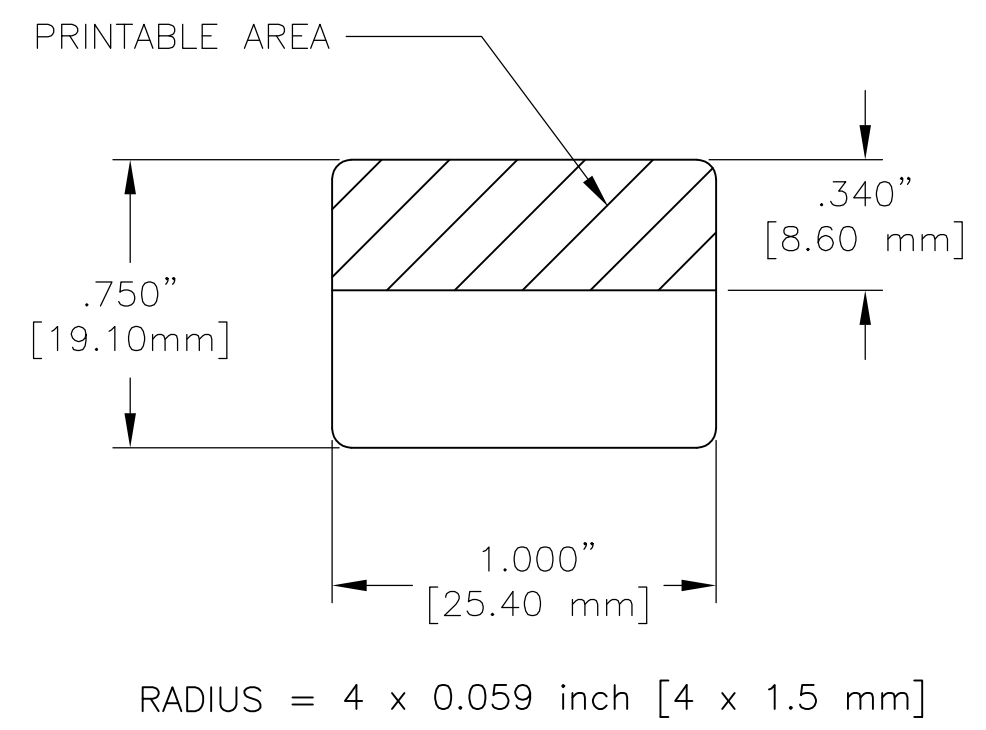


THIS DRAWING IS UNPUBLISHED. RELEASED FOR PUBLICATION MAY, 2017.
 © COPYRIGHT 2017 By TE Connectivity ALL RIGHTS RESERVED.

REVISIONS					
P	LTR	DESCRIPTION	DATE	DWN	APVD
	A	NEW DRAWING	23MAR2016	KR	KM
	B	DRAWING FORMAT UPDATE	11MAY2017	GK	KM



LABEL DETAILS



LABEL ACROSS: 7
PACKAGE QTY: 5,040

All dimensions in INCHES[mm]

TE PN: 602818-000

MATERIAL	CLEAR POLYESTER FILM
ADHESIVE TYPE	PERMANENT
PRINT	WHITE PRINTABLE AREA AND HEADER WITH TE LOGO AND INFORMATION LINE IN WHITE COLOUR ON CLEAR FILM
REALIZATION	84 LABELS PER SHEET

TOLERANCES INCH [mm]	
LABEL HEIGHT:	±.012 [0.3]
LABEL WIDTH:	±.012 [0.3]
WEB WIDTH:	±.031 [0.8]
VERTICAL REPEAT:	±.031 [0.8]*
HORIZONTAL REPEAT:	±.031 [0.8]*
PRINT POSITIONING:	±.031 [0.8]*
LEFT MARGIN:	±.016 [0.4]
QUANTITY:	-0 % +2 %
*NON ACCUMULATING	

THIS DRAWING IS A CONTROLLED DOCUMENT.	
DIMENSIONS: INCHES [mm]	TOLERANCES UNLESS OTHERWISE SPECIFIED:
	0 PLC ± -
	1 PLC ± .1
	2 PLC ± .050
	3 PLC ± .020
	4 PLC ± 1/8"
ANGLES ± -	
MATERIAL: SEE TABLE	FINISH: GLOSSY

DWN	11MAY2017	STE TE Connectivity	
CHK	11MAY2017		
K. MUNZ		NAME	
K. MUNZ		CR-105-LSR	
PRODUCT SPEC		LSR LASER PRINTABLE SELF-LAMINATING LABELS	
APPLICATION SPEC		-	
SIZE	CAGE CODE	DRAWING NO	RESTRICTED TO
A3	00779	C-602818-000	-
CUSTOMER DRAWING		SCALE	SHEET
		NTS	1 OF 1
		REV	B