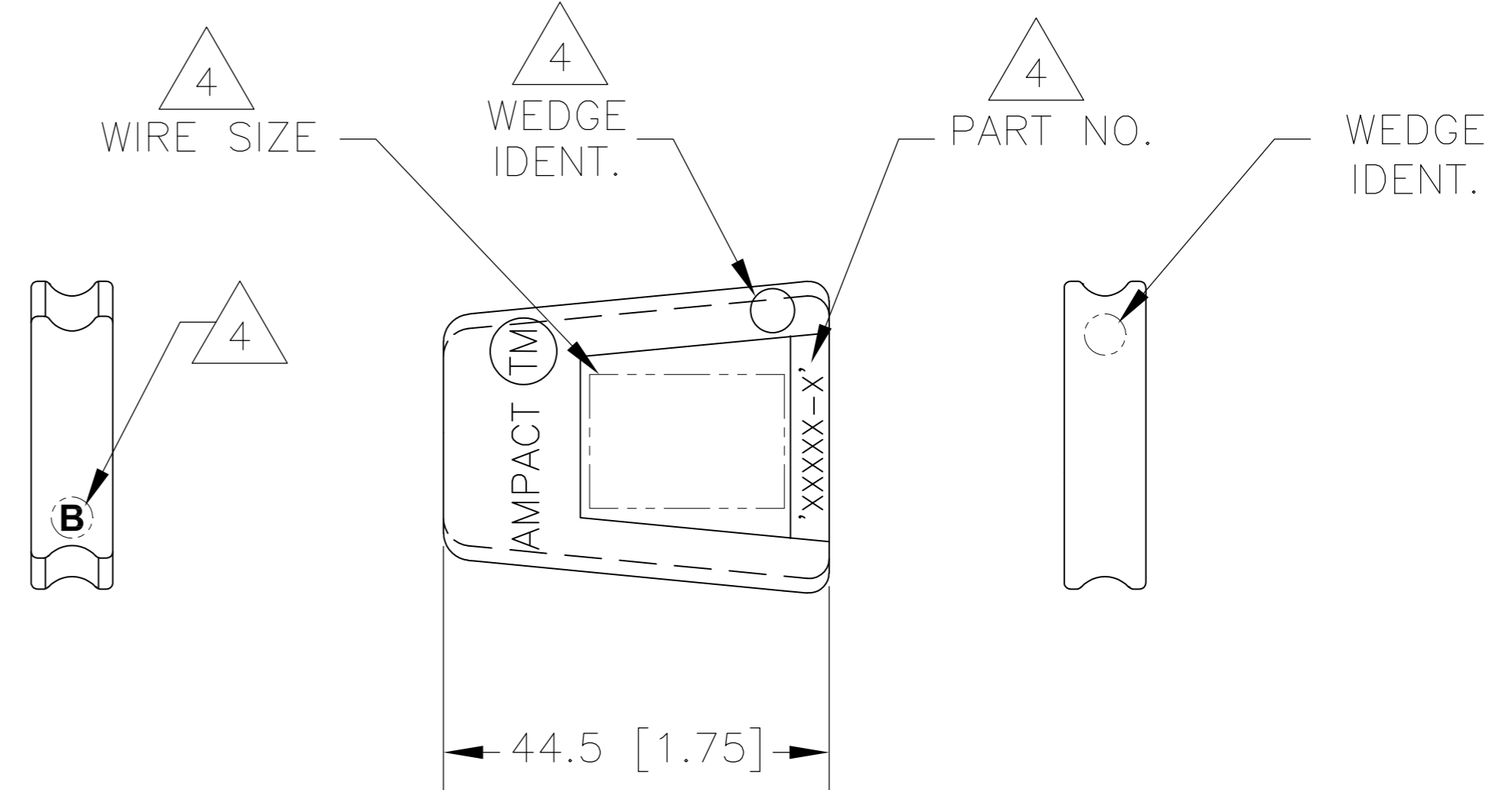
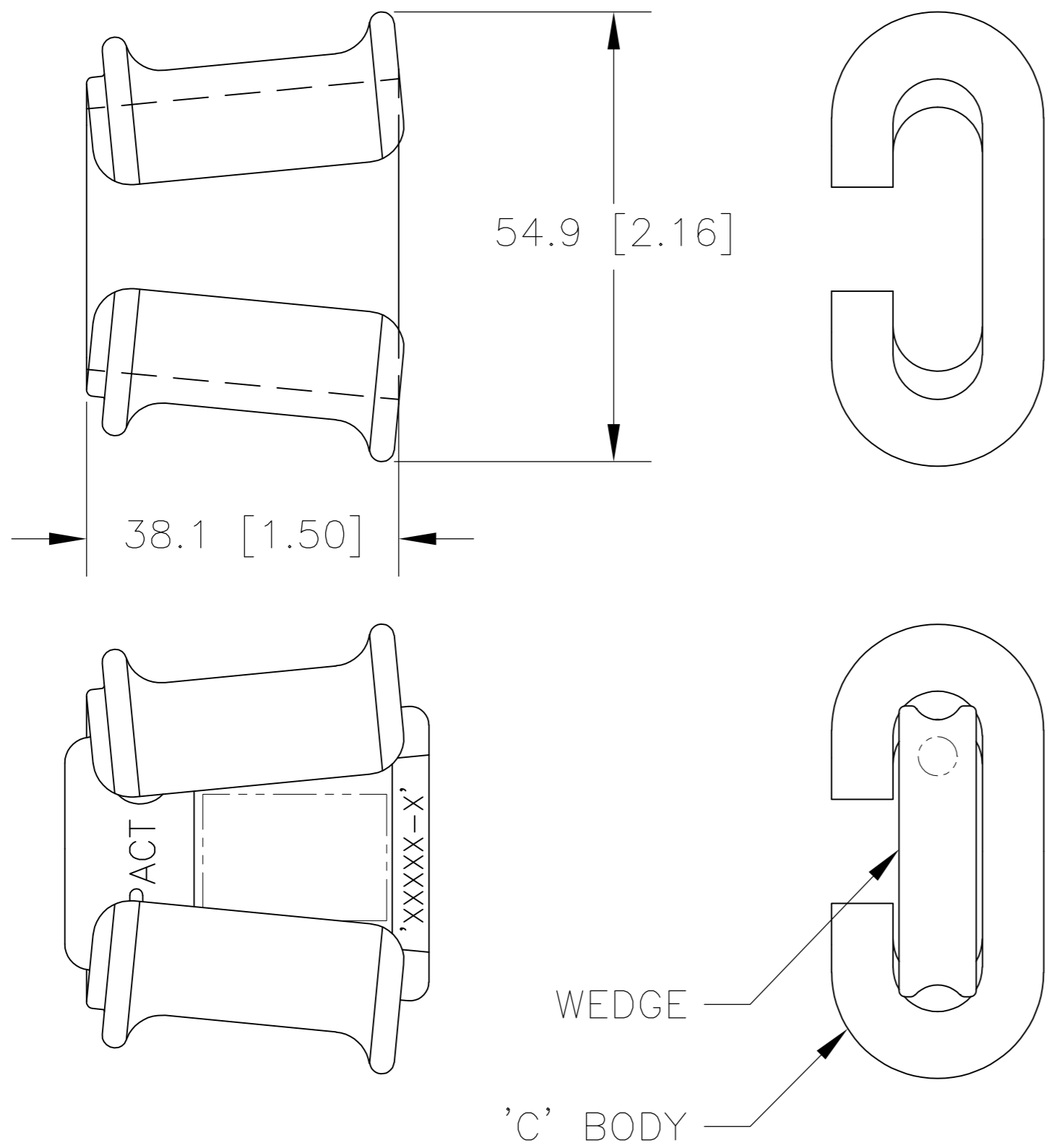


THIS DRAWING IS UNPUBLISHED. RELEASED FOR PUBLICATION  
 © COPYRIGHT BY TYCO ELECTRONICS CORPORATION. ALL RIGHTS RESERVED.

LOC		DIST		REVISIONS			
P	LTR	DESCRIPTION		DATE	DWN	APVD	
GA	1	C		PER LC20-0266-07 / ECO-07-026919	21NOV07	DM	BJ



- DIMENSIONS ARE FOR REFERENCE ONLY.
- INHIBITOR IS APPLIED AT FACTORY TO GROOVES OF BODY AND WEDGE.
- USE WHITE CARTRIDGE PART NO. 69338-5.
- FOR P/N's 1-602283-0 TO 1-602283-8, WEDGES ARE MARKED WITH LETTER "B". NO WIRE SIZE, WEDGE ID AND P/N ARE SHOWN ON THE WEDGE.
- P/N's 602283-0 TO 602283-8 AND P/N's 2-602283-0 TO 2-602283-8 ARE TO BE INSTALLED USING IMPACT TOOL.  
P/N's 1-602283-0 TO 1-602283-8 ARE TO BE INSTALLED USING HUSKIE TOOL.
- P/N's 602283-0 TO 602283-8 ARE PACKAGED IN WHITE COLOURED POLY-BAG.  
P/N's 2-602283-0 TO 2-602283-8 ARE PACKAGED IN RED COLOURED POLY-BAG.

WEDGE QTY: 1	'C' BODY QTY: 1	WEDGE IDENT.	WIRE SIZE	PART No.
X			#6STR, #4SOL TO #8STR, SOL AND #4STR, #2SOL TO #8STR, SOL	2-602283-8
Y			#2STR, 1/0SOL TO #8STR, #8,6SOL	2-602283-7
W			1/0STR, 1/0SOL TO #8STR, #8,6SOL	2-602283-6
U			#8STR, #8,6SOL TO #8STR, #8,6SOL	2-602283-5
R			#6STR, #4SOL TO #6STR, #4,6SOL AND #4STR, #2SOL TO #6STR, SOL	2-602283-4
S			#4STR, #2SOL TO #4STR, SOL AND #2STR TO #6STR, #4,6SOL	2-602283-3
P			#2STR, SOL TO #4STR, #2SOL AND 1/0STR, SOL TO #6STR, #4,6SOL	2-602283-2
Q			#2STR, 1/0SOL TO #2STR, SOL AND 1/0 STR, SOL TO #4STR, #2SOL	2-602283-1
N			1/0 STR TO #2 STR	2-602283-0
X			#6STR, #4SOL TO #8STR, SOL AND #4STR, #2SOL TO #8STR, SOL	1-602283-8
Y			#2STR, 1/0SOL TO #8STR, #8,6SOL	1-602283-7
W			1/0STR, 1/0SOL TO #8STR, #8,6SOL	1-602283-6
U			#8STR, #8,6SOL TO #8STR, #8,6SOL	1-602283-5
R			#6STR, #4SOL TO #6STR, #4,6SOL AND #4STR, #2SOL TO #6STR, SOL	1-602283-4
S			#4STR, #2SOL TO #4STR, SOL AND #2STR TO #6STR, #4,6SOL	1-602283-3
P			#2STR, SOL TO #4STR, #2SOL AND 1/0STR, SOL TO #6STR, #4,6SOL	1-602283-2
Q			#2STR, 1/0SOL TO #2STR, SOL AND 1/0 STR, SOL TO #4STR, #2SOL	1-602283-1
N			1/0 STR TO #2 STR	1-602283-0
X			#6STR, #4SOL TO #8STR, SOL AND #4STR, #2SOL TO #8STR, SOL	602283-8
Y			#2STR, 1/0SOL TO #8STR, #8,6SOL	602283-7
W			1/0STR, 1/0SOL TO #8STR, #8,6SOL	602283-6
U			#8STR, #8,6SOL TO #8STR, #8,6SOL	602283-5
R			#6STR, #4SOL TO #6STR, #4,6SOL AND #4STR, #2SOL TO #6STR, SOL	602283-4
S			#4STR, #2SOL TO #4STR, SOL AND #2STR TO #6STR, #4,6SOL	602283-3
P			#2STR, SOL TO #4STR, #2SOL AND 1/0STR, SOL TO #6STR, #4,6SOL	602283-2
Q			#2STR, 1/0SOL TO #2STR, SOL AND 1/0 STR, SOL TO #4STR, #2SOL	602283-1
N			1/0 STR TO #2 STR	602283

THIS DRAWING IS A CONTROLLED DOCUMENT. DWN 25JUN98 M. CHOW  
 CHK 29JUN98 J. HANNA  
 APVD 30JUN98 B. JOHNSON  
 PRODUCT SPEC  
 APPLICATION SPEC  
 WEIGHT -  
 CUSTOMER DRAWING

TOLERANCES UNLESS OTHERWISE SPECIFIED:  
 0 PLC ±  
 1 PLC ±  
 2 PLC ±  
 3 PLC ±  
 4 PLC ±  
 ANGLES ±  
 FINISH -

SCALE NTS

Tyco Electronics Corporation  
 Markham, ON L3R 1E1

NAME  
 CONNECTOR ASSEMBLY, TYPE II,  
 WHITE CODED, IMPACT

SIZE A2 CAGE CODE 00779 DRAWING NO. 602283 RESTRICTED TO -  
 SHEET 1 OF 1 REV C