

THIS DRAWING IS UNPUBLISHED.

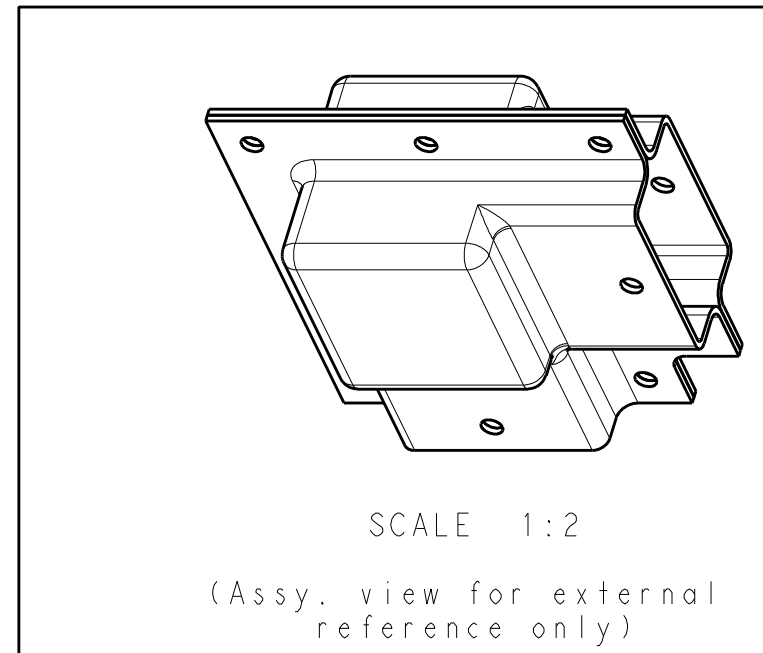
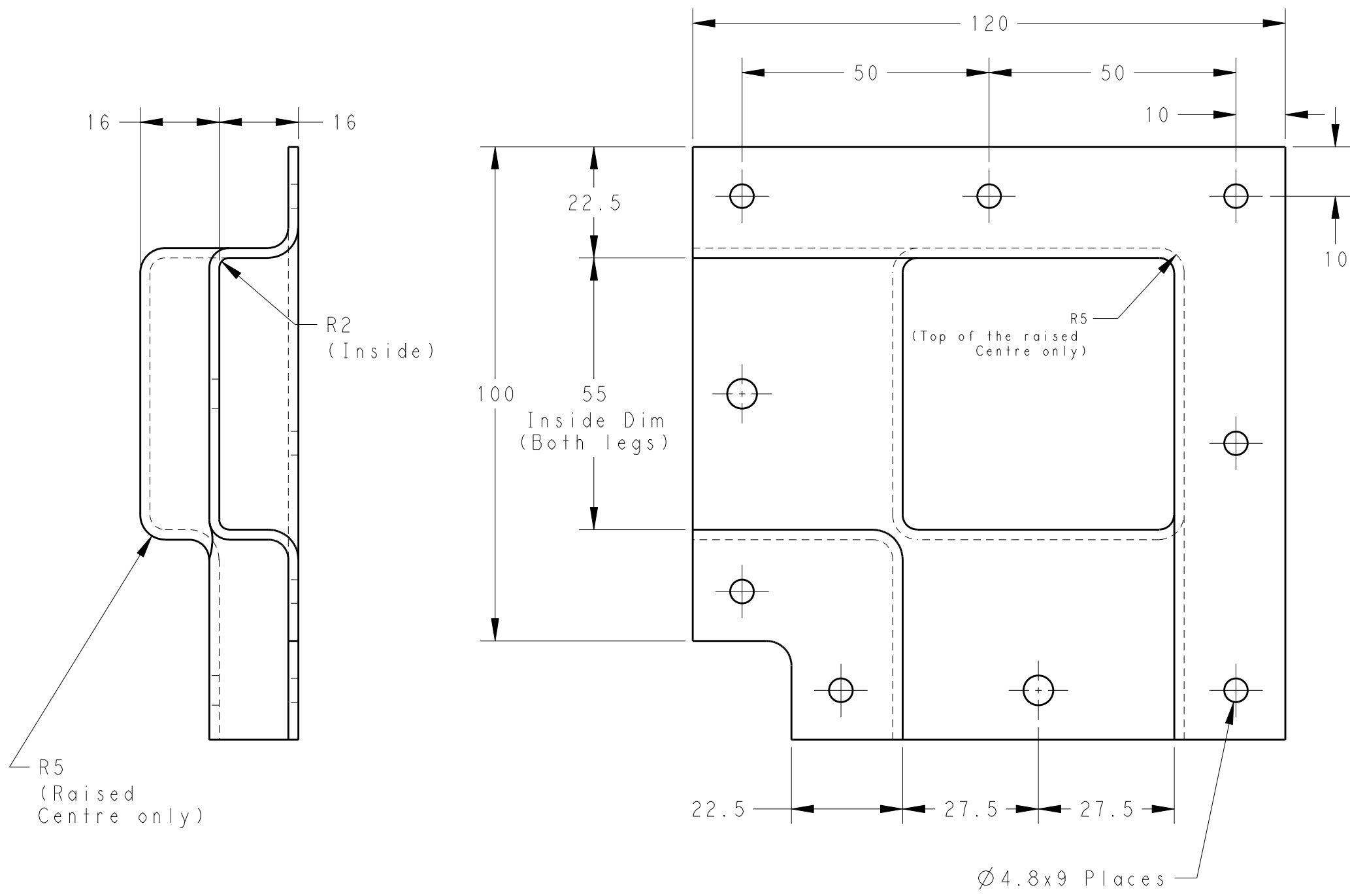
RELEASED FOR PUBLICATION


20

© COPYRIGHT 20 BY TYCO ELECTRONICS CORPORATION ALL RIGHTS RESERVED.

LOC	DIST
-	-

REVISIONS				
P	LTR	DESCRIPTION	DATE	APVD
	A	Hole Size Changes from 6mm to 4.8mm and Note No.3 Changes.	04SEP2012	V.P



THIS DRAWING IS A CONTROLLED DOCUMENT.		DWN Vishnu 26JUN2012	 TE Connectivity	
DIMENSIONS: mm		CHK I. Bond 26JUN2012		
TOLERANCES UNLESS OTHERWISE SPECIFIED:		APVD I. Bond 26JUN2012		
0 PLC ± 1 PLC ±0.5 2 PLC ±0.13 3 PLC ±0.013 4 PLC ±0.0001 ANGLES ±		PRODUCT SPEC -		
MATERIAL -		FINISH -	NAME BMOD-HV-050-L11-02(B12)	
		WEIGHT -	SIZE A3	CAGE CODE 00779
		CUSTOMER DRAWING	DRAWING NO. C-6-1899738-9	
			RESTRICTED TO -	
			SCALE 1:1	SHEET 1 OF 2
				REV A

THIS DRAWING IS UNPUBLISHED.

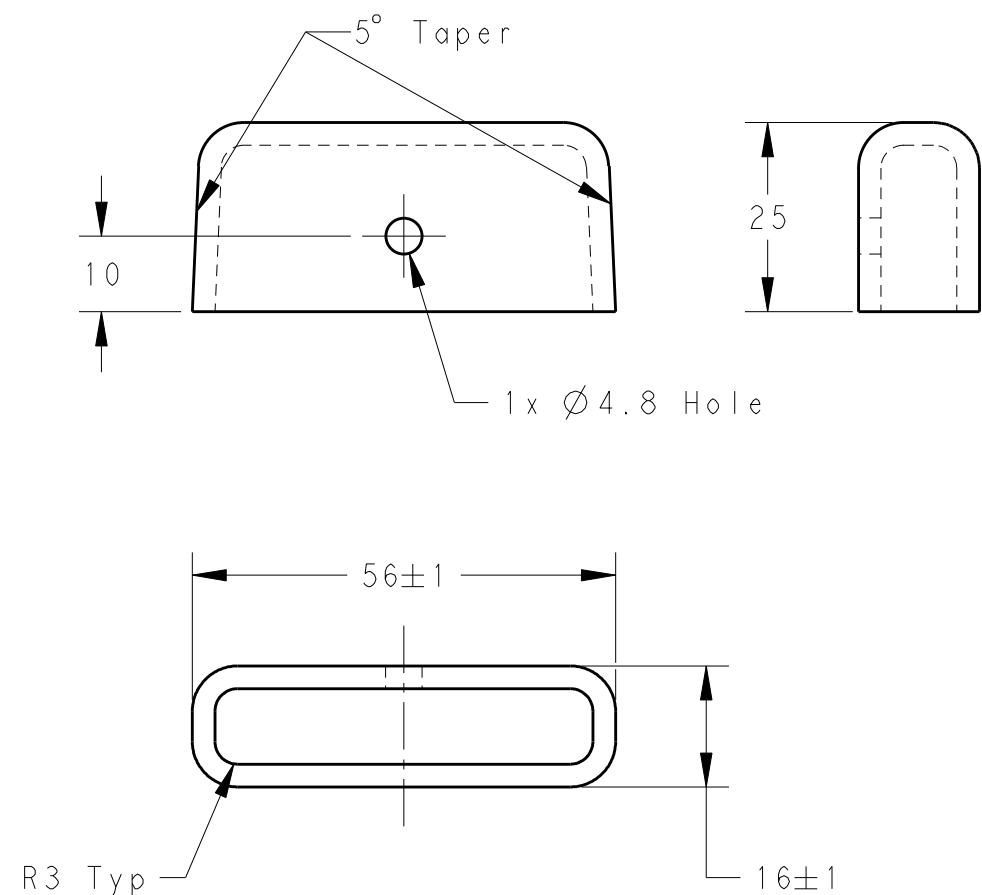
RELEASED FOR PUBLICATION

20

© COPYRIGHT 20 BY TYCO ELECTRONICS CORPORATION ALL RIGHTS RESERVED.

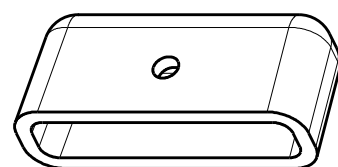
LOC	DIST	REVISIONS			
P	LTR	DESCRIPTION	DATE	DWN	APVD
-	-	SEE SHEET 1	-	-	-

# PLUG PIECE:



# NOTES:

1. Parts shall be kitted 24pcs per box, 12 pairs of covers
2. Parts shall be supplied in the open position
3. Parts shall be kitted with 9 x LVIC-RIV-TS555 PCN: 319851-000, or with Raysulate equivalent part, per pair of covers.
4. 2 x Plugs to be kitted per pair of covers
5. Parts shall be kitted with Installation Instruction: ESD-6065-6/12 per box.



SCALE 3:4

(Isometric view for external reference only)

THIS DRAWING IS A CONTROLLED DOCUMENT.

DIMENSIONS:	TOLERANCES UNLESS OTHERWISE SPECIFIED:
mm	0 PLC ±
	1 PLC ±0.5
	2 PLC ±0.13
	3 PLC ±0.013
	4 PLC ±0.0081
	ANGLES ±

MATERIAL - FINISH -

DWN	Vishnu	26JUN2012
CHK	I. Bond	26JUN2012
APVD	I. Bond	26JUN2012

PRODUCT SPEC	-
APPLICATION SPEC	-
WEIGHT	-

CUSTOMER DRAWING



NAME		BMOD-HV-050-L11-02(B12)	
SIZE	CAGE CODE	DRAWING NO	RESTRICTED TO
A3	00779	C-6-1899738-9	-
SCALE 1:1		SHEET 2 OF 2	REV A