

THIS DRAWING IS UNPUBLISHED.

RELEASED FOR PUBLICATION

20

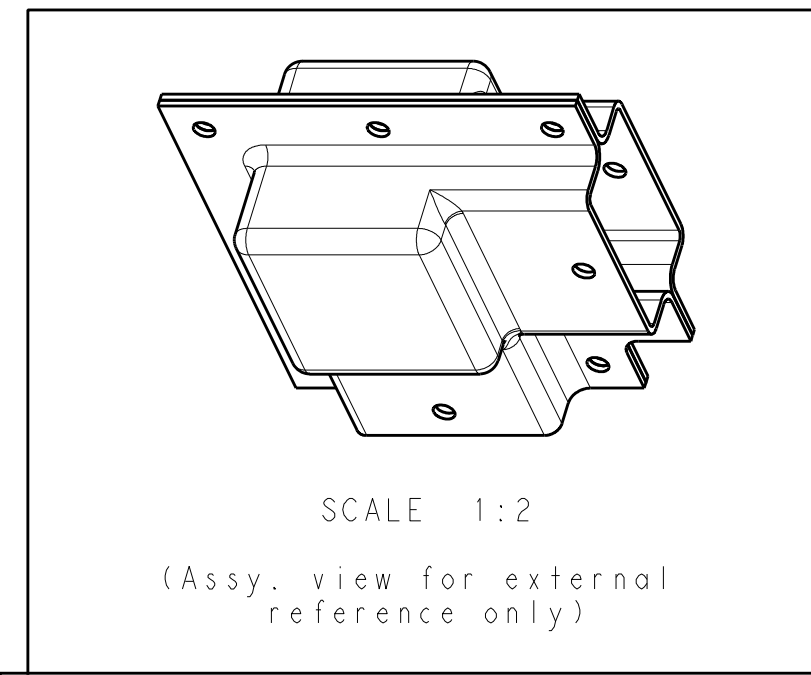
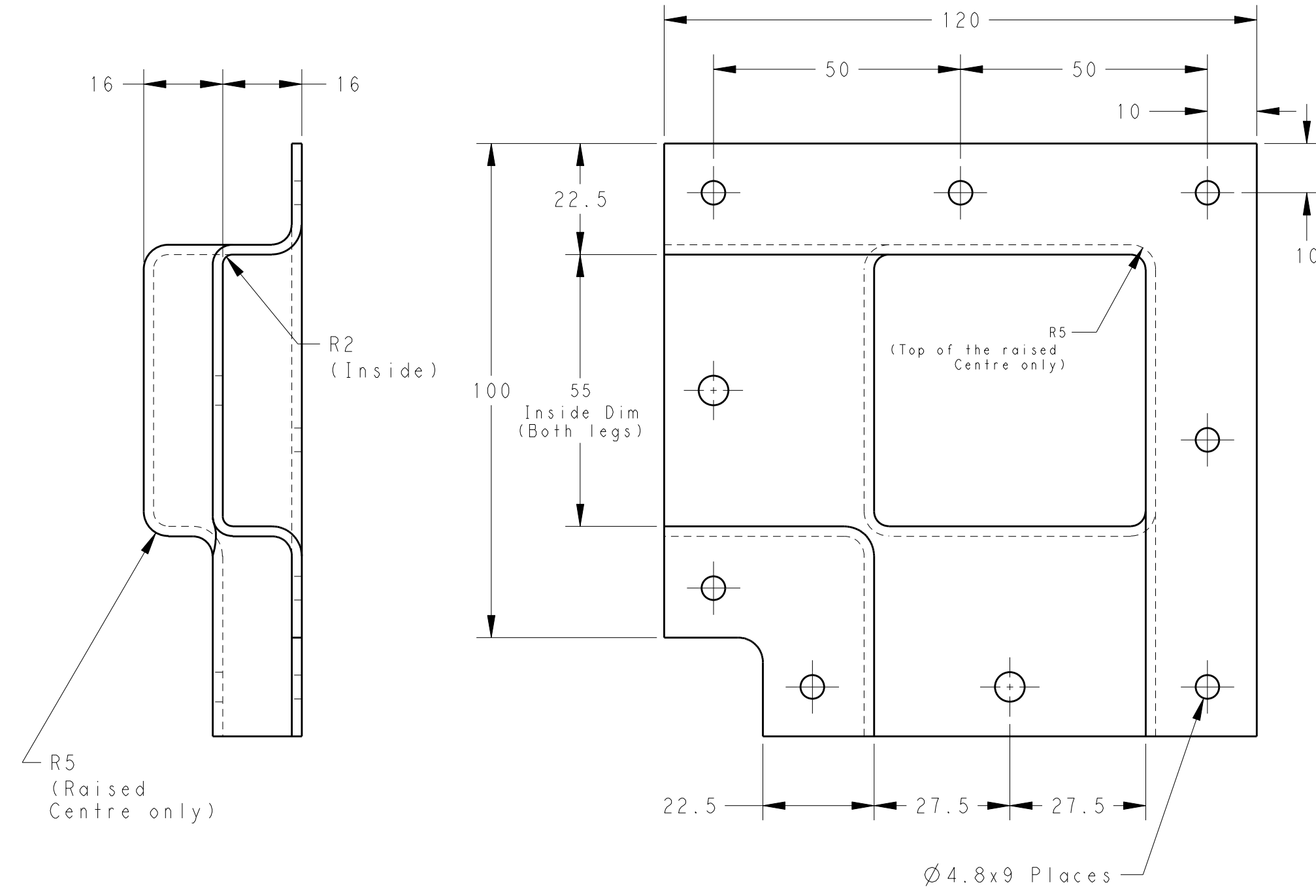
LOC -


DIST -

REVISIONS

© COPYRIGHT 20 BY TYCO ELECTRONICS CORPORATION ALL RIGHTS RESERVED.

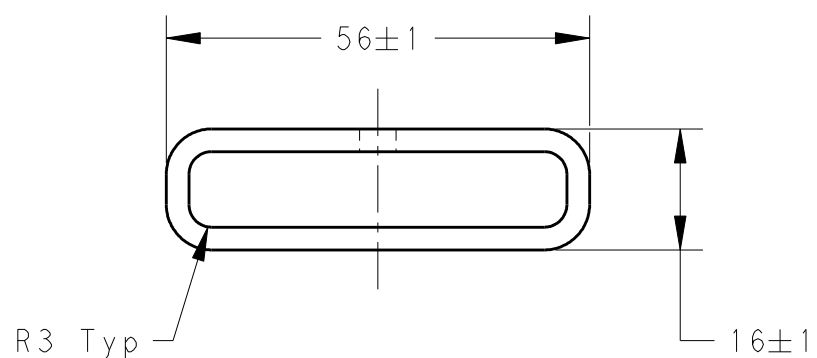
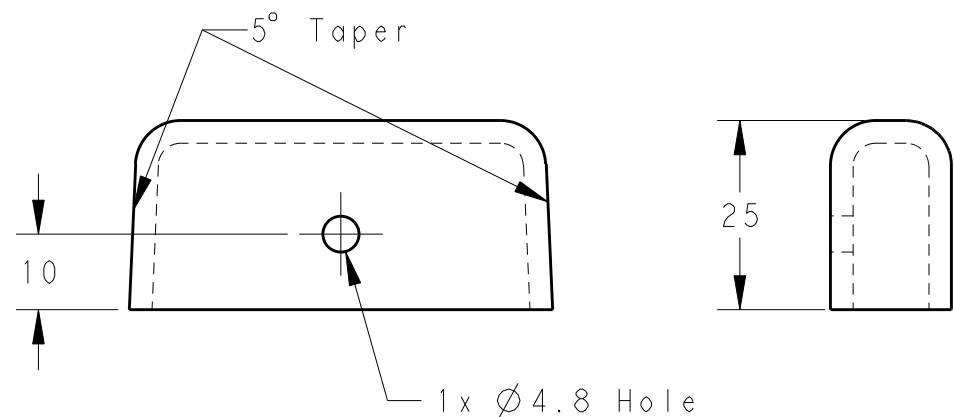
P	LTR	DESCRIPTION	DATE	DWN	APVD
	A	Hole Size Changes from 6mm to 4.8mm and Note No.3 Changes.	04SEP2012	V.P	I.B



THIS DRAWING IS A CONTROLLED DOCUMENT.		DWN Vishnu 26JUN2012	 TE Connectivity	
DIMENSIONS: mm		CHK I.Bond 26JUN2012		
TOLERANCES UNLESS OTHERWISE SPECIFIED:		APVD I.Bond 26JUN2012	NAME BMOD-HV-050-L11-01(B12)	
0 PLC ± 1 PLC ±0.5 2 PLC ±0.13 3 PLC ±0.013 4 PLC ±0.006 ANGLES ±		PRODUCT SPEC -	SIZE A300779 C-6-1899738-7	
MATERIAL -		APPLICATION SPEC -	RESTRICTED TO -	
FINISH -		WEIGHT -	SCALE 1:1 SHEET 1 OF 2 REV A	
CUSTOMER DRAWING				

LOC	DIST	REVISIONS			
P	LTR	DESCRIPTION	DATE	DWN	APVD
-	-	SEE SHEET 1	-	-	-

PLUG PIECE:




SCALE 3:4

(Isometric view for external reference only)

NOTES:

1. Parts shall be kitted 24pcs per box, 12 pairs of covers
2. Parts shall be supplied in the open position
3. Parts shall be kitted with 9 x LVIC-RIV-TS555 PCN: 319851-000, or with Raysulate equivalent part, per pair of covers.
4. 2 x Plugs to be kitted per pair of covers
5. Parts shall be kitted with Installation Instruction: ESD-6065-6/12 per box.

THIS DRAWING IS A CONTROLLED DOCUMENT.		DWN Vishnu 26JUN2012	 TE Connectivity		
DIMENSIONS: mm		CHK I Bond 26JUN2012			
TOLERANCES UNLESS OTHERWISE SPECIFIED:		APVD I Bond 26JUN2012	NAME BMOD-HV-050-L11-01(B12)		
 0 PLC ± 1 PLC ±0.5 2 PLC ±0.13 3 PLC ±0.013 4 PLC ±0.0061 ANGLES ± 		PRODUCT SPEC -	RESTRICTED TO -		
MATERIAL -		APPLICATION SPEC -	SIZE A3	CAGE CODE 00779	DRAWING NO C-6-1899738-7
FINISH -		WEIGHT -	SCALE 1:1		
		CUSTOMER DRAWING	SHEET 2 OF 2	REV A	