

CONVERSION CHART

INCH	MM
.002	0.05
.010	0.25
.020	0.51
.022	0.56
.030	0.76
.040	1.02
.043	1.09
.100	2.54
.130	3.30
.200	5.08
.227	5.77
.311	7.90
.340	8.64
.360	9.14
.413	10.49
.620	15.75

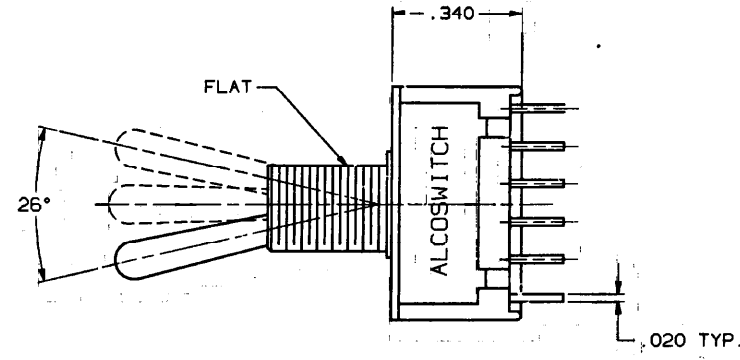
REV	DESCRIPTION	DATE	DWN	APVD
C	REVISED PER ECO-14-015248	21OCT2014	NK	RH

**SPECIFICATIONS:**

**MATERIALS:**  
CASE: HIGH TEMPERATURE POLYESTER.  
FRAME: STEEL, TIN PLATED.  
ACTUATOR: COPPER ALLOY, NICKEL PLATED.  
MOVING CONTACT: COPPER ALLOY, GOLD OVER NICKEL PLATE.  
FIXED CONTACT: COPPER ALLOY, GOLD OVER NICKEL PLATE.  
TERMINALS: COPPER ALLOY, GOLD OVER NICKEL PLATE.  
TERMINAL SEAL: EPOXY.

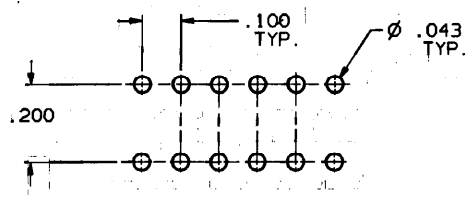
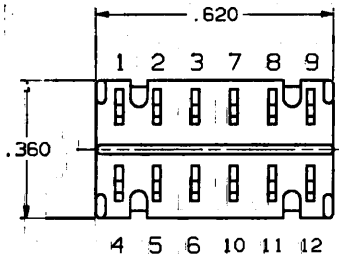
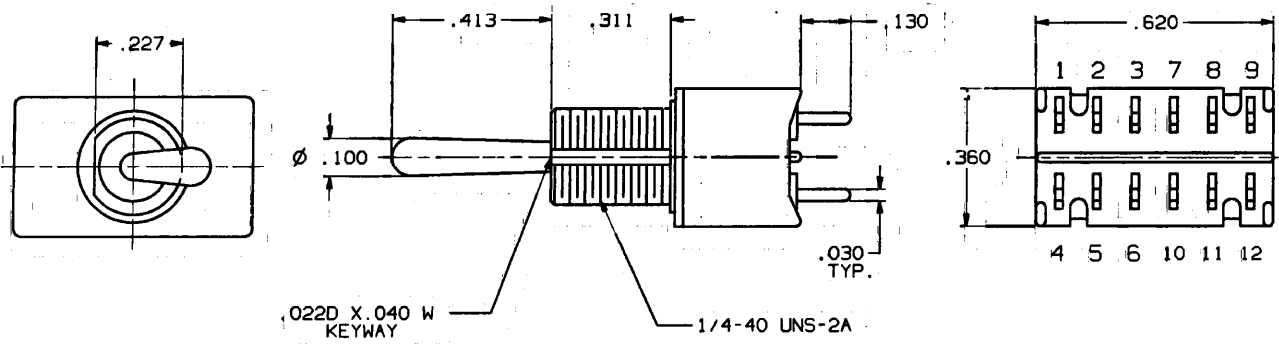
**ELECTRICAL:**  
CONTACT RATING: 0.4 VA @ 20 VDC OR PEAK AC.  
INITIAL CONTACT RESISTANCE: 20 MILLIOHMS MAX.  
INSULATION RESISTANCE: 1,000 MEGOHMS @ 500 VDC MIN.  
DIELECTRIC STRENGTH: 1,000 VOLTS RMS @ SEA LEVEL.  
LIFE EXPECTANCY: 80,000 CYCLES (2 POSITION),  
60,000 CYCLES (3 POSITION).

**ENVIRONMENTAL:**  
OPERATING TEMPERATURE: -22°F TO +185°F (-30°C TO +85°C).  
STORAGE TEMPERATURE: -67°F TO +185°F (-55°C TO +85°C).



**NOTES:**

1. INTERPRET DRAWING PER ASME Y14.5M-1994.



**RECOMMENDED HOLE LAYOUT**

TOLERANCE ±.002 UNLESS OTHERWISE NOTED

TERMINALS CONNECTED WHEN TOGGLE IN POSITIONS SHOWN			
SWITCH ACTION CODE	FLAT	FLAT	FLAT
<b>N</b>	2 TO 3 8 TO 9 11 TO 12	NONE	2 TO 1 5 TO 4 11 TO 10
<b>P</b>	2 TO 3 8 TO 9 11 TO 12	OFF	2 TO 1 5 TO 4 11 TO 10
<b>R</b>	2 TO 3 8 TO 9 (NOM) 11 TO 12	NONE	2 TO 1 5 TO 4 11 TO 10
<b>PA</b>	2 TO 3 8 TO 9 11 TO 12	2 TO 3 8 TO 9 11 TO 10	2 TO 1 5 TO 4 11 TO 10

NOTE: DESIGNATION NUMBERS ARE REFERENCE ONLY AND DO NOT APPEAR ON SWITCHES.

<p>THIRD ANGLE PROJECTION</p> <p>TOLERANCES (EXCEPT AS NOTED)  ANGULAR = ±1°  DECIMAL .XX = ±.010  DECIMAL .XXX = ±.010  DECIMAL .XXXX = ±.010</p>	<p>UNLESS OTHERWISE SPECIFIED DIMENSIONS ARE IN INCHES DO NOT SCALE PRINT</p>	<p>ORIGINAL DATE OF DRAWING: 6-3-80</p>	<p>TE Connectivity</p>
	<p>DRAWN: VJM</p> <p>CHECKED: B.B</p> <p>APPROVED: KEN</p> <p>FINISH: N/A</p>	<p>DATE: 6-3-80</p> <p>DATE: 6-5-80</p> <p>DATE: 6-5-80</p> <p>CODE IDENT. NO. 91306</p> <p>DWG. SIZE C</p> <p>NEXT ASSY:</p>	

STE TE Connectivity

TITLE: SUBMINIATURE TOGGLE SWITCH 4 POLE RA (TT41(\*)G-RA-1)

DWG. NO. C-6-1437562-8

PRODUCT CODE: ASI

SCALE: 4:1

SHEET 1 OF 1