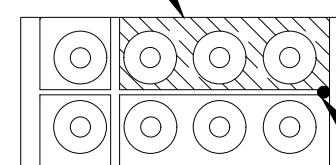


THIS DRAWING IS UNPUBLISHED. RELEASED FOR PUBLICATION  
 © COPYRIGHT - By - ALL RIGHTS RESERVED.

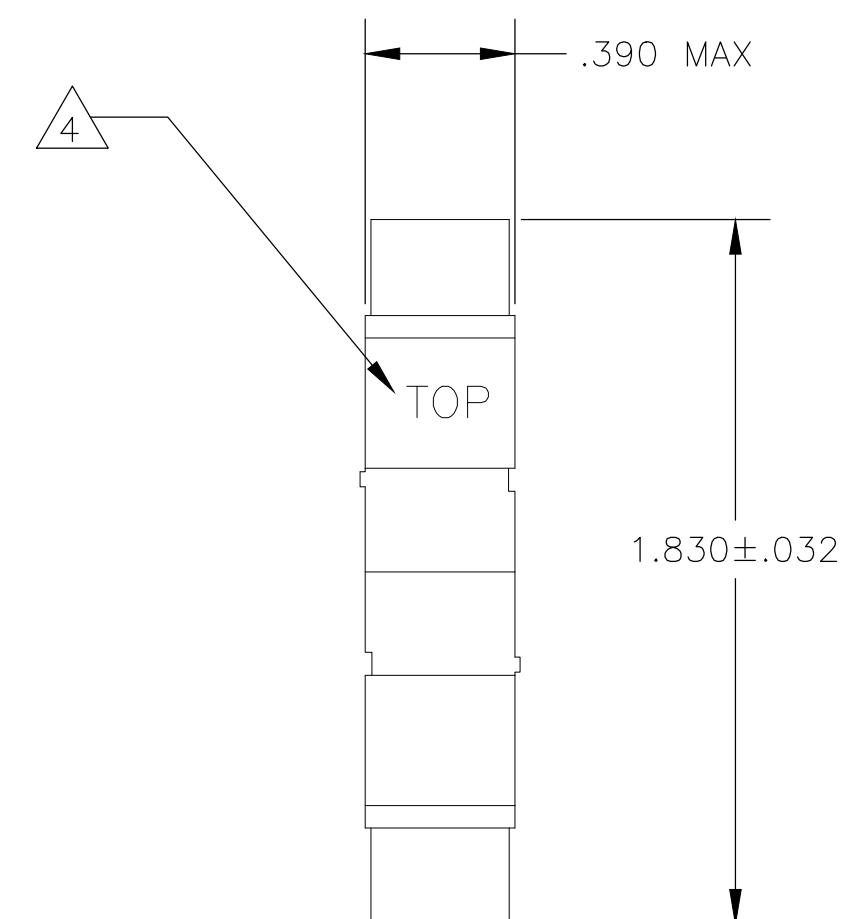
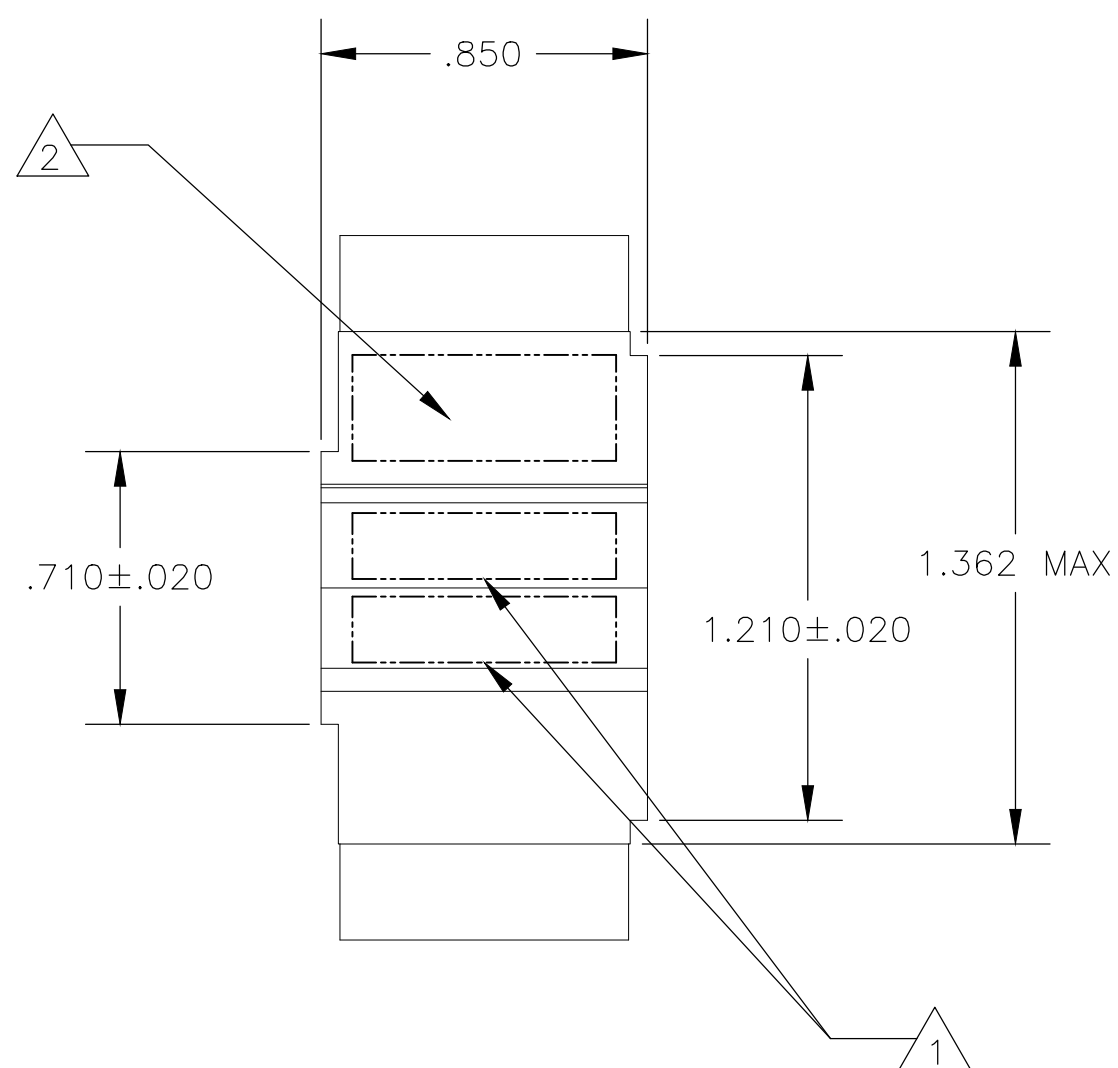
REVISIONS					
P	LTR	DESCRIPTION	DATE	DWN	APVD
E		REV PER ECO 20-001680	2-7-20	CT	VR

DESCRIPTION	MATERIAL	FINISH
MODULE ASSEMBLY	EPOXY THERMOSET	COLOR: BLACK
GROMMET	FLOURSILICONE 40/50 PER MIL-R-25988	COLOR: NATURAL
CONTACT SOCKET	BERYLLIUM COPPER PER ASTM-B194	GOLD PLATE PER MIL-G-45204
RETAINING CLIP	BERYLLIUM COPPER PER ASTM-B194 OR STAINLESS STEEL PER QQ-S-766	NONE

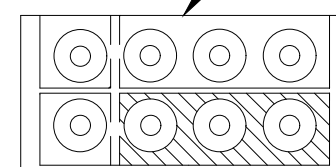
TOP BUSSING ARRANGEMENT



INDEXING INDICATOR



BOTTOM BUSSING ARRANGEMENT



- 1 MODULE ASSEMBLY MARKED WITH "TE", TE PART NO. AND DATE CODE .060 MINIMUM HIGH CHARACTERS ON EITHER SIDE.
- 2 MODULE ASSEMBLY MARKED WITH CUSTOMER PART NO. 12103B16E15-204 ON EITHER SIDE.
- 3. ROLLS ROYCE QUALITY SPECIFICATION CQC-103 IS INVOKED FOR THIS PART NO.
- 4 MARK WORD "TOP" AT LOCATION SHOWN.

592852

592852-1  
PART NO.

THIS DRAWING IS A CONTROLLED DOCUMENT.		DWN N. FRITZ 09-21-93	TE Connectivity			
DIMENSIONS: INCHES		CHK R. RYAN 09-21-93				
		APVD R. RYAN 09-21-93	NAME MODULE, COMBINATION ASSEMBLY SIZE 16 TJ			
TOLERANCES UNLESS OTHERWISE SPECIFIED: 0 PLC ± - 1 PLC ± - 2 PLC ± - 3 PLC ± .005 4 PLC ± - ANGLES ± -		PRODUCT SPEC -	SIZE A2	CAGE CODE 00779	DRAWING NO C=592852	RESTRICTED TO -
MATERIAL -		FINISH -	WEIGHT 0.000000	SCALE 2:1	SHEET 1 of 1	REV E
CUSTOMER DRAWING						