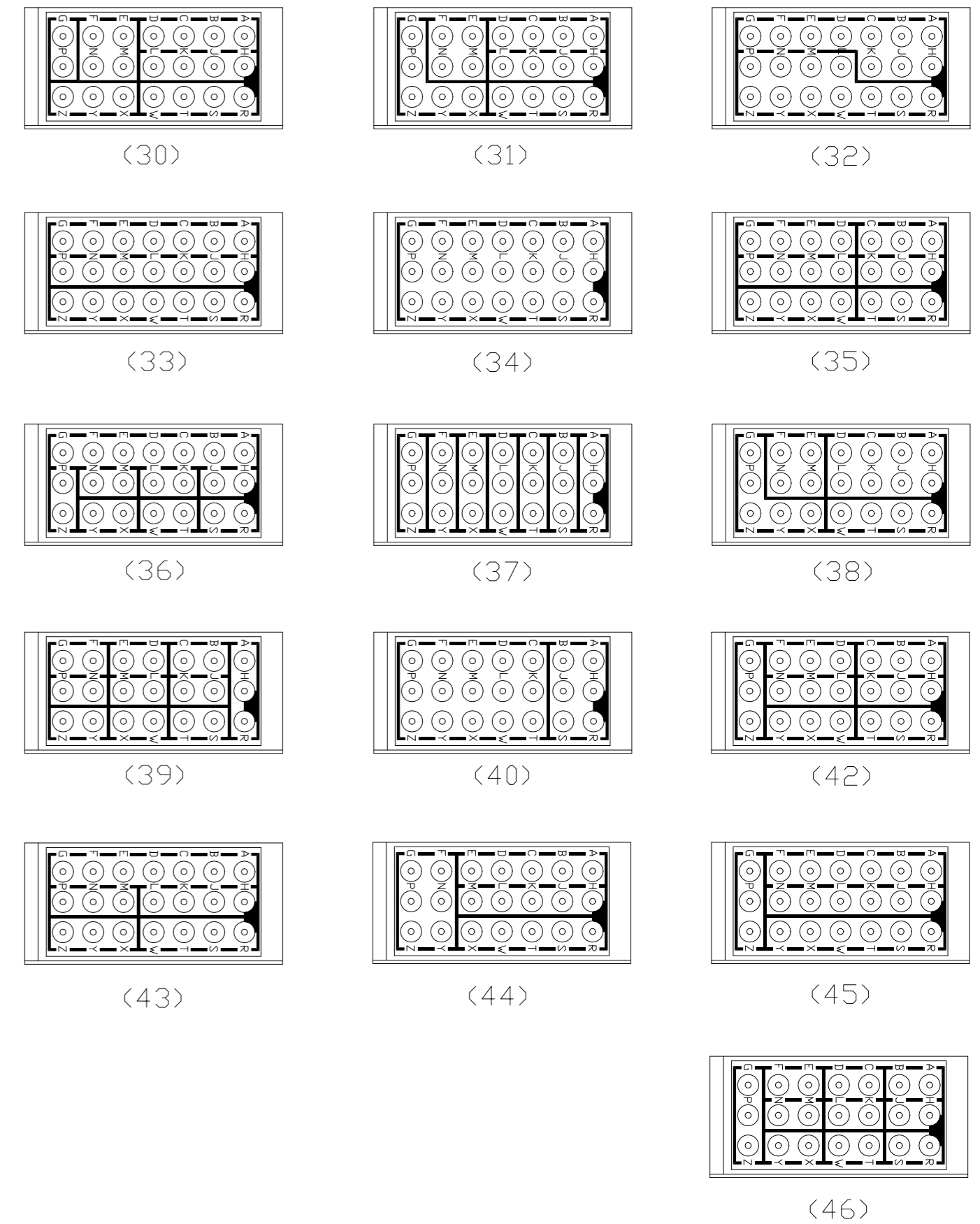
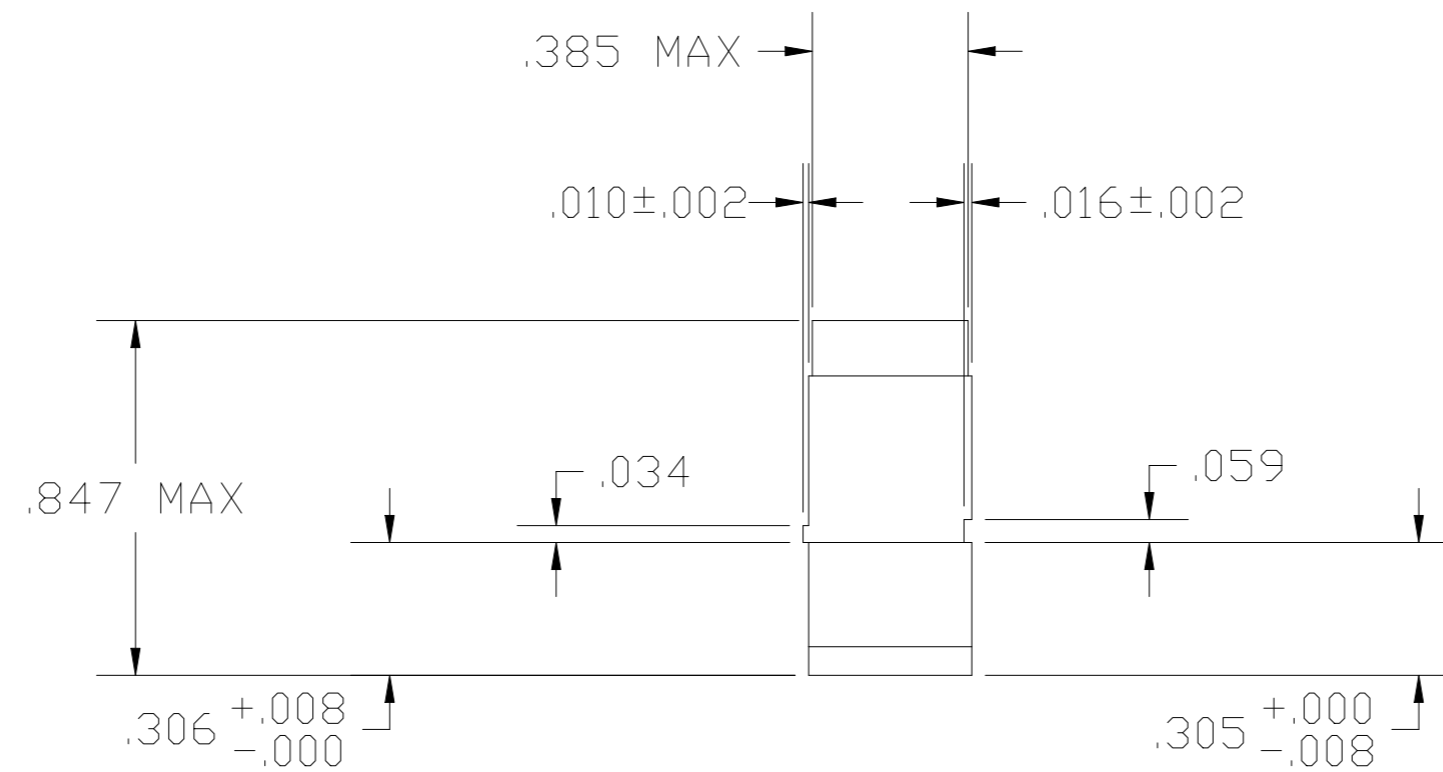
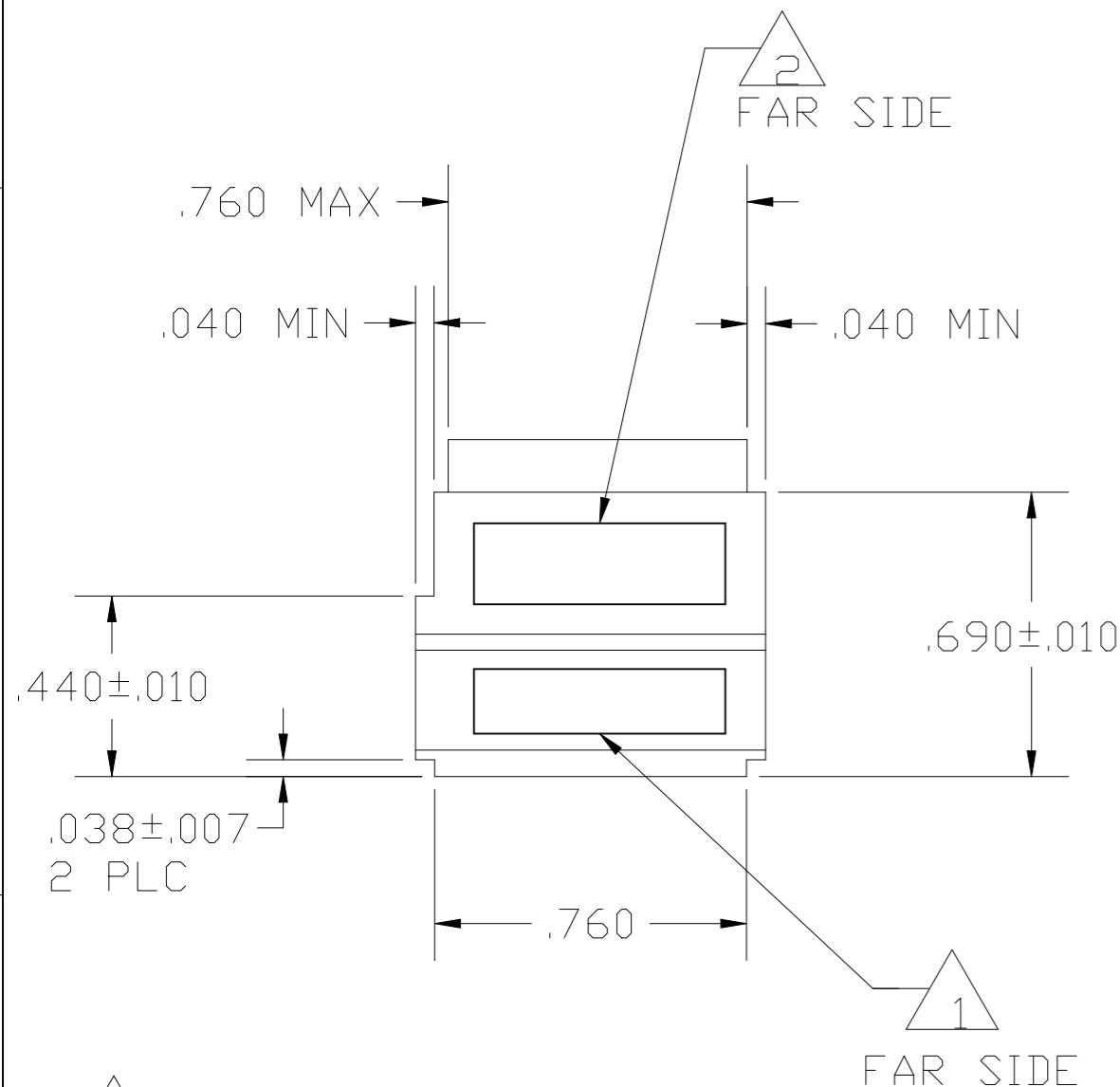
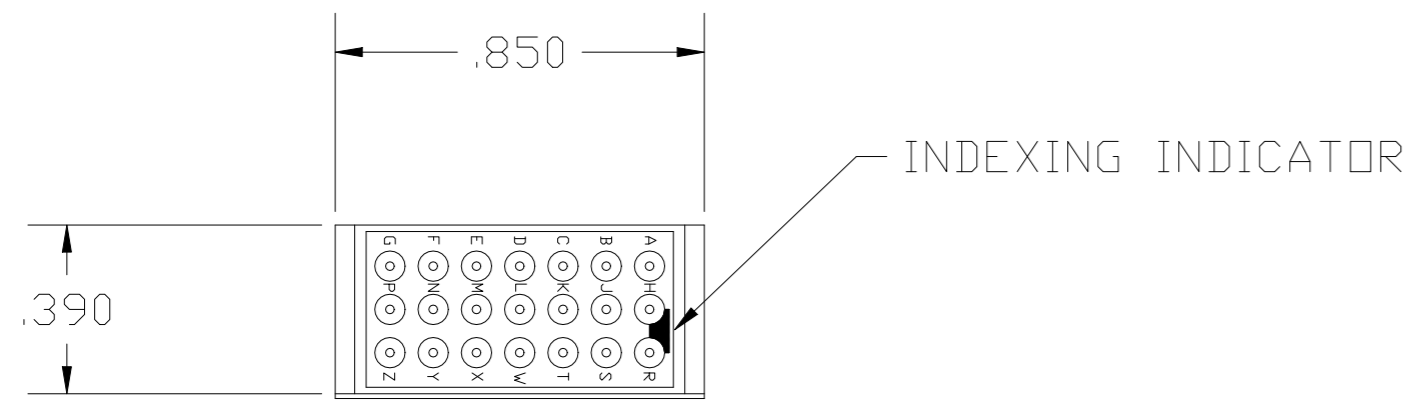


DESCRIPTION	MATERIAL	FINISH
MODULE ASSEMBLY	EPOXY	COLOR: BLACK
GROMMET	FLUORSILICONE RUBBER	COLOR: BLUE
CONTACT SOCKET	BERYLLIUM COPPER PER QQ-C-533	GOLD PLATE PER MIL-G-45204
RETAINING CLIP	BERYLLIUM COPPER PER QQ-C-533 OR STAINLESS STEEL PER QQ-S-766	NONE
CONTACTS	COPPER ALLOY PER MIL-C-39029/1	GOLD PLATE PER MIL-G-45204
SEALING PLUGS	F.E.P. PER MIL-P-19468	COLOR: BLACK

P	LTR	DESCRIPTION	DATE	DWN	APVD
F		REVISED PER ECN-23-218303	19JUN2023	AG	FN



BUSSING ARRANGEMENTS 3


3 BUSSING ARRANGEMENT OUTLINE DENOTES INTERNAL ARRANGEMENT OF CONTACT SOCKETS.


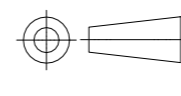
2 MODULE ASSEMBLY MARKED WITH CUSTOMER PART NO., MILITARY PART NO. IF REQUIRED .060 MINIMUM HIGH CHARACTERS AT APPROXIMATE AREA SHOWN.

1 MODULE ASSEMBLY MARKED WITH "TE", TE PART NO. AND DATE CODE .060 MINIMUM HIGH CHARACTERS AT APPROXIMATE AREA SHOWN.

THIS DRAWING IS A CONTROLLED DOCUMENT.		DWN J. MECK 3-10-93	TE TE Connectivity	
DIMENSIONS: INCHES		CHK R. RYAN 3-31-93		
TOLERANCES UNLESS OTHERWISE SPECIFIED:		APVD R. RYAN 3-31-93	NAME -	
0 PLC ± -		PRODUCT SPEC	MODULE ASSY, FEED-BACK, SIZE 21, TJ	
1 PLC ± -		APPLICATION SPEC	-	
2 PLC ± -			SIZE	CAGE CODE
3 PLC ± .005		WEIGHT	A2	00779
4 PLC ± -		CUSTOMER DRAWING	DRAWING NO C=592629	
ANGLES ± -		SCALE	2:1	
FINISH		SHEET	1 OF 2	
MATERIAL		REV	F	

REVISIONS				
P	LTR	DESCRIPTION	DATE	OWN
-	-	SEE SHEET 1	-	-

MRTB21D43				X														--	--	4-592629-9
MRTB21D39									X									--	--	4-592629-8
M81714/17-D30																X	X	X	X	4-592629-7
M81714/17-D45		X																X	X	4-592629-5
M81714/17-D36										X								X	X	4-592629-4
M81714/17-D43																		X	X	4-592629-3
M81714/17-D42																		X	X	4-592629-2
M81714/17-D41																		OBSOLETE		4-592629-1
-----																		--	--	4-592629-0
-----																		SUPERCEDED BY 4-592629-9		3-592629-3
MRTB21D42																		--	--	3-592629-2
MRTB21D44																				3-592629-1
MRTB21D37																				3-592629-0
MRTB21D36																				2-592629-9
MRTB21D35																				2-592629-8
MRTB21D34																				2-592629-7
MRTB21D32																				2-592629-6
MRTB21D31																				2-592629-5
MRTB21D30																				2-592629-4
G383962-1																				2-592629-3
-----																				2-592629-2
77A112809-2		X																		2-592629-1
-----																				2-592629-0
M81714/17-D44																				1-592629-9
-----																				1-592629-8
M81714/17-D40																				1-592629-7
-----																				1-592629-6
M81714/17-D39																				1-592629-5
-----																				1-592629-4
M81714/17-D38																				1-592629-3
-----																				1-592629-2
M81714/17-D37																				1-592629-1
-----																				1-592629-0
M81714/17-D35																				592629-9
-----																				592629-8
M81714/17-D34																				592629-7
-----																				592629-6
M81714/17-D33																				592629-5
-----																				592629-4
M81714/17-D32																				592629-3
-----																				592629-2
M81714/17-D31																				592629-1
MARKING	46	45	44	43	42	40	39	38	37	36	35	34	33	32	31	30	SEALING PLUG QTY 2	CONTACTS QTY 22	PART NO.	
	BUSSING ARRANGEMENTS																			

THIS DRAWING IS A CONTROLLED DOCUMENT.		OWN	J. MECK	3-10-93	 TE Connectivity	
DIMENSIONS: INCHES		CHK	R. RYAN	3-31-93		
		APVD	R. RYAN	3-31-93		
TOLERANCES UNLESS OTHERWISE SPECIFIED:		PRODUCT SPEC				
0 PLC ± -		APPLICATION SPEC			NAME	-
1 PLC ± -					SIZE	A2
2 PLC ± -					CAGE CODE	00779
3 PLC ± .005					DRAWING NO	C-592629
4 PLC ± -					RESTRICTED TO	-
ANGLES ± -					SCALE	2:1
MATERIAL	FINISH	WEIGHT	0		SHEET	2 OF 2
		CUSTOMER DRAWING			REV	F