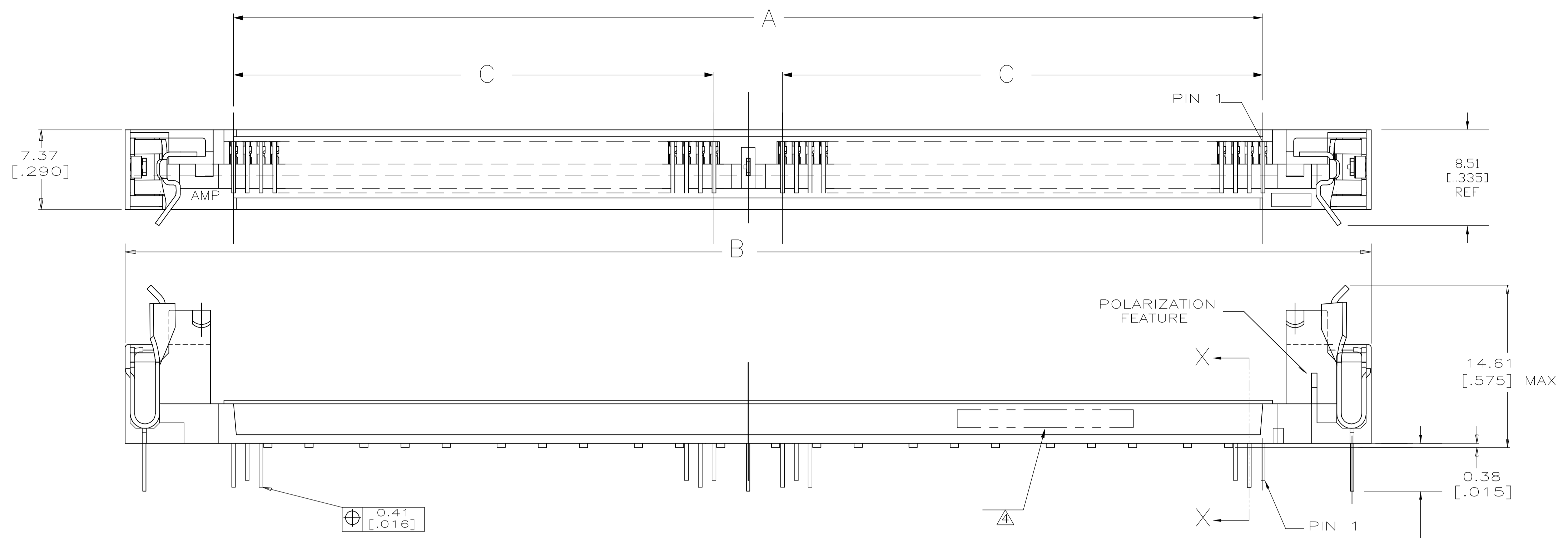
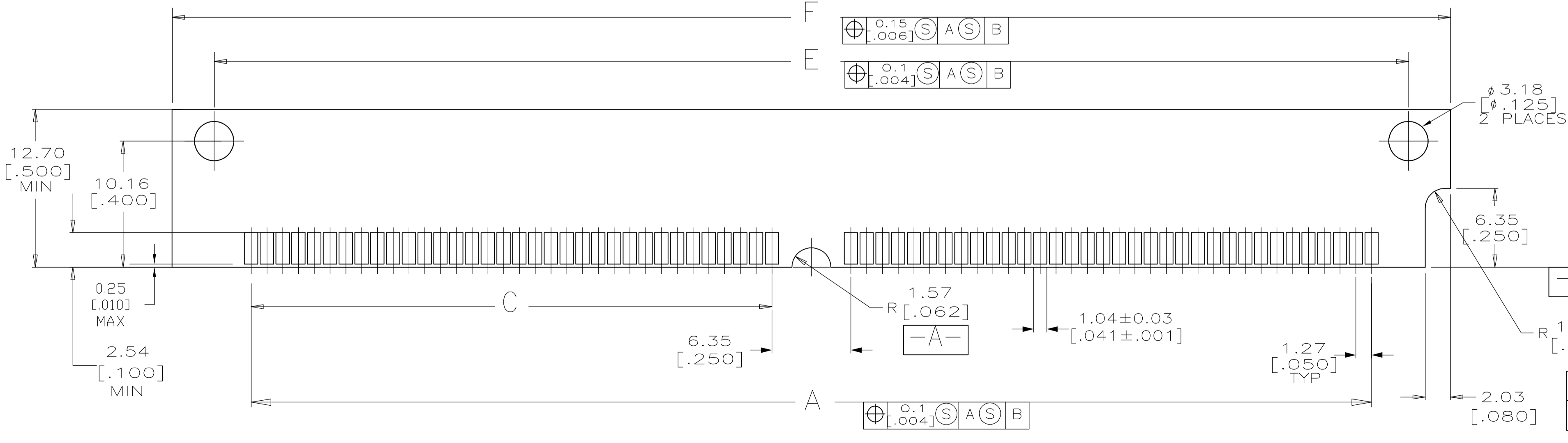
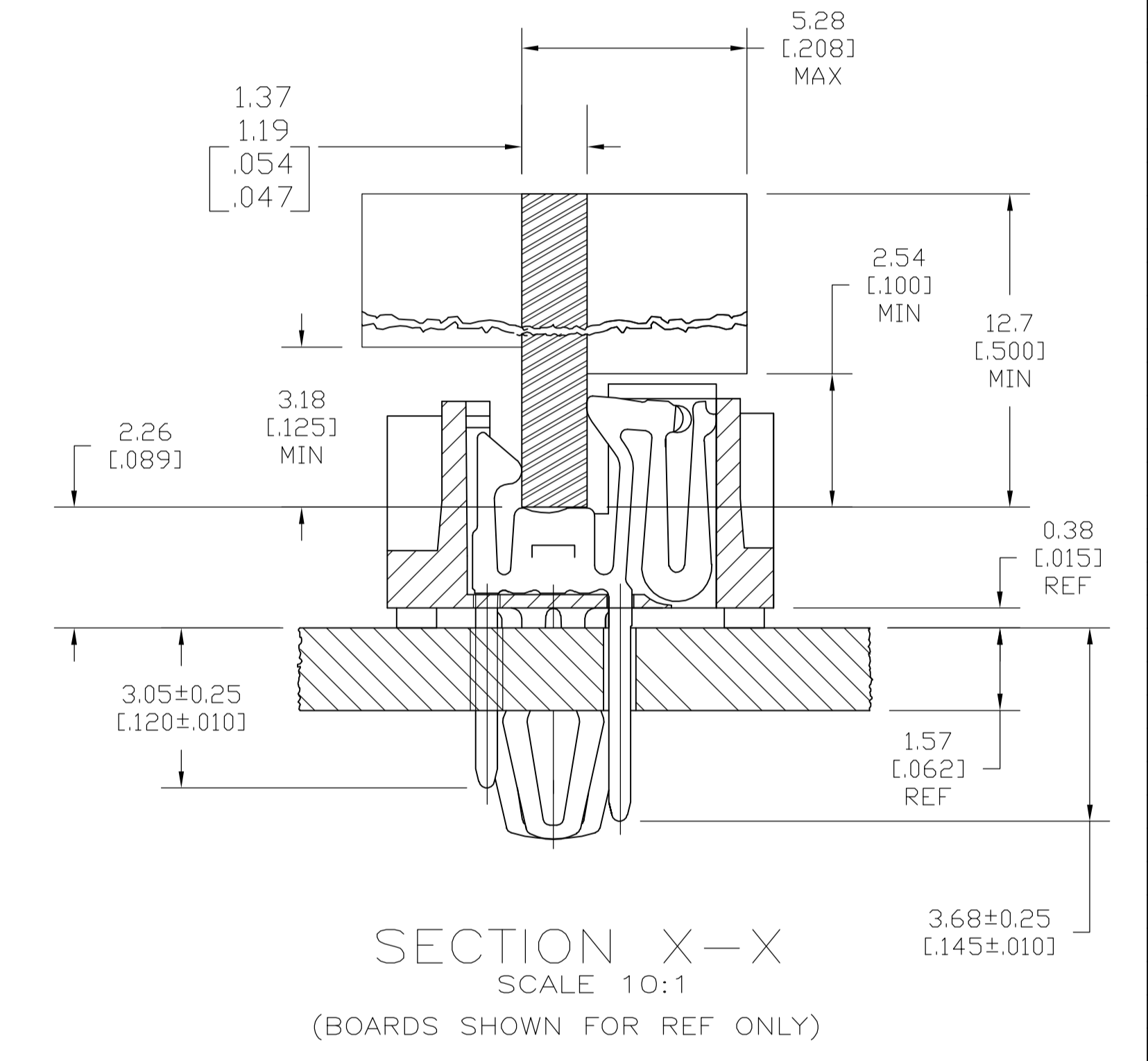
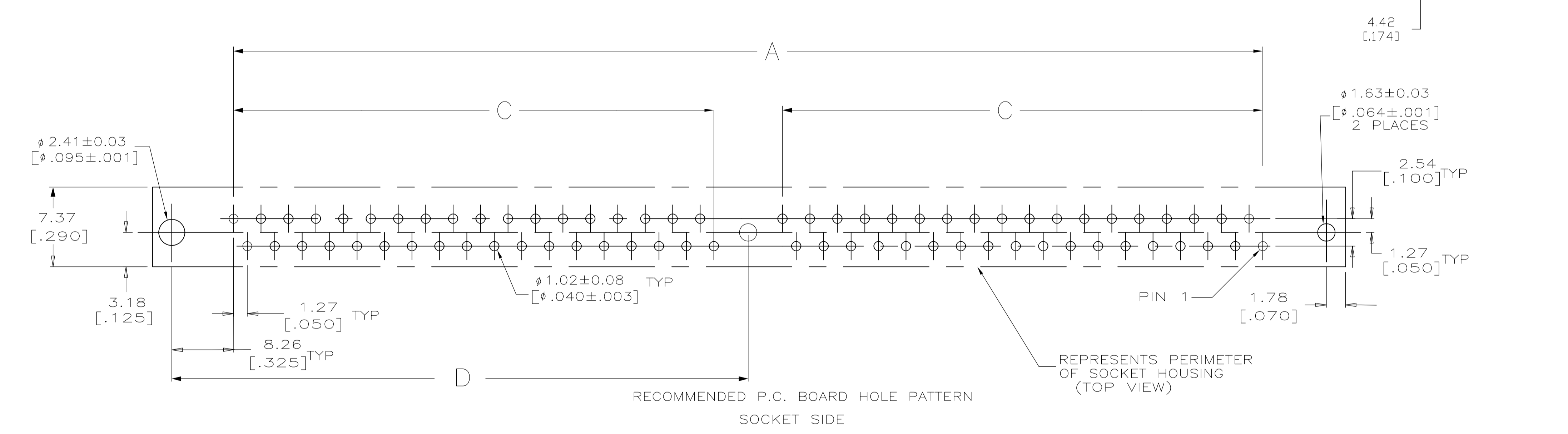


LOC		DIST		REVISONS			
P	L/R	DESCRIPTION	DATE	DWN	APVD		
B		REVISED PER ECO-06-002414	06FEB06	JDP	MB		



- MATERIAL:**  
 HOUSING: LIQUID-CRYSTAL-POLYMER, NATURAL  
 CONTACT: PHOS. BRONZE PLATED WITH 0.00127 [.000050] MIN NICKEL ALL OVER WITH 0.00076 [.000030] MIN GOLD AT CONTACT POINTS AND 0.00508 [.000200] MIN MATTE TIN ON SOLDER TAILS.  
 LATCH: BRASS, NICKEL PLATE.  
 RETENTION POSTS: PRE-TIN PLATED COPPER ALLOY.
2. IN ADDITION TO THOSE RECOMMENDED "SIMM" P.C. BOARD DIMENSIONS AND TOLERANCES SHOWN, ALL JEDEC SPECIFICATIONS APPLY AS SHOWN ON MO-116, ISSUE A.
3. RECOMMENDED MATING S.I.M.M. TAB METALLURGY:  
 BASE METAL-COPPER. PLATING TO BE 0.00076 [.000030] MIN GOLD OVER 0.00127 [.000050] MIN NICKEL.
- DATE CODE INFO, (YEAR, WEEK)**  
 LOCATED APPROXIMATE AS SHOWN OPPOSITE SIDE.



118.11 [4.650]	111.35 [4.384]	60.96 [2.400]	49.53 [1.950]	125.73 [4.950]	105.41 [4.150]	80	822417-1
F	E	D	C	B	A	NO OF POSN	PART NO

RECOMMENDED "SIMM" P.C. BOARD

THIS DRAWING IS A CONTROLLED DOCUMENT.

DIMENSIONS: mm [INCHES]	TOLERANCES UNLESS OTHERWISE SPECIFIED:	DIN S. WAITMAN 01FEB06	APVD M. YOEMENS 01FEB06	tyco Electronics Tyco Electronics Corporation Harrisburg, PA 17105-3608
0 PLC ± -	1 PLC ± -	2 PLC ± -	3 PLC ± 0.13 [.005]	4 PLC ± -
ANGLES ± -	FINISH 1	WEIGHT -	SIZE A1	SCALE 4:1
CUSTOMER DRAWING		DRAWING NO 00779		REVISIONS 5822417

CONNECTOR, MICRO-EDGE, 1.27 [.050], VERT, GOLD, W/METAL LATCH & RETENTION POSTS