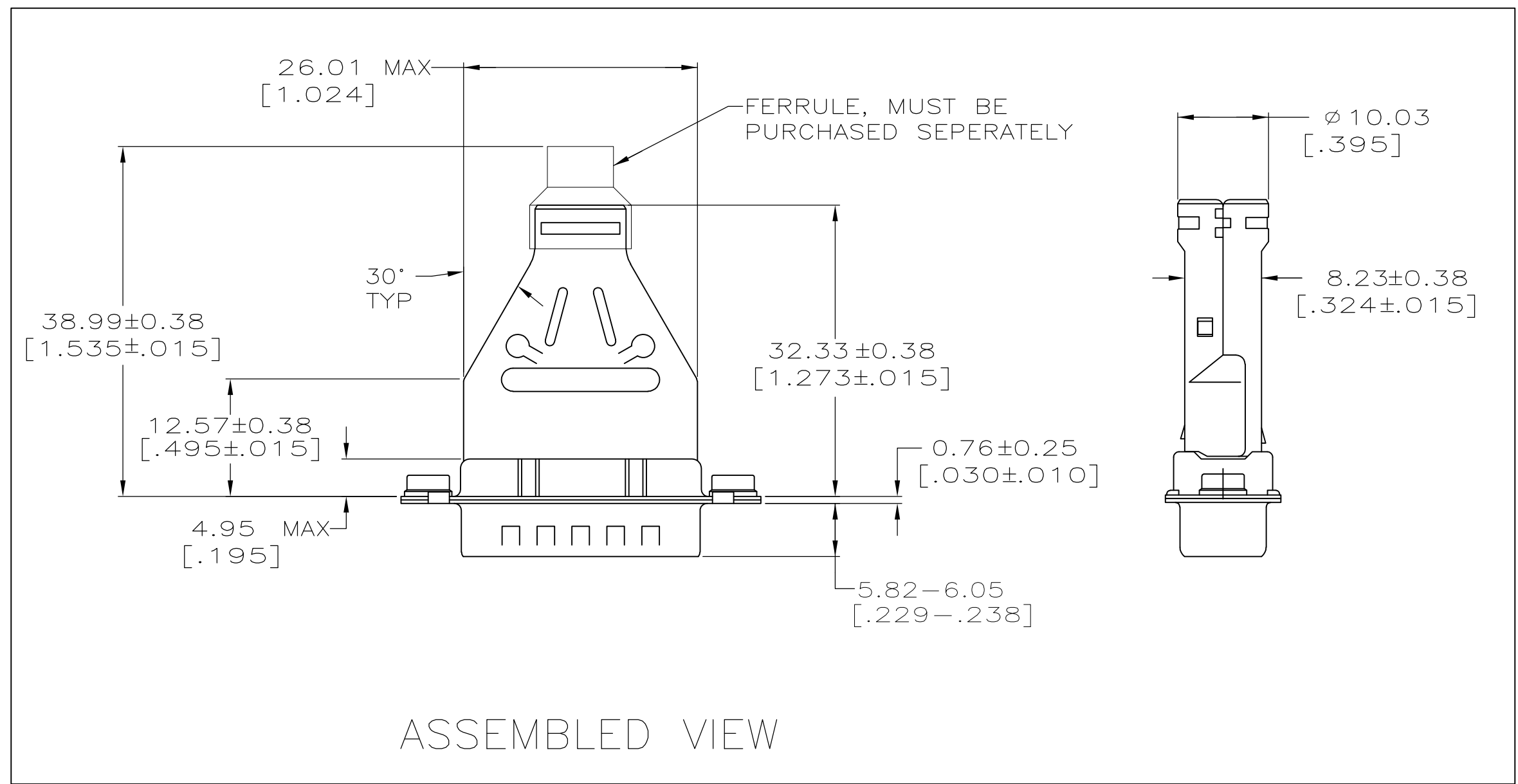
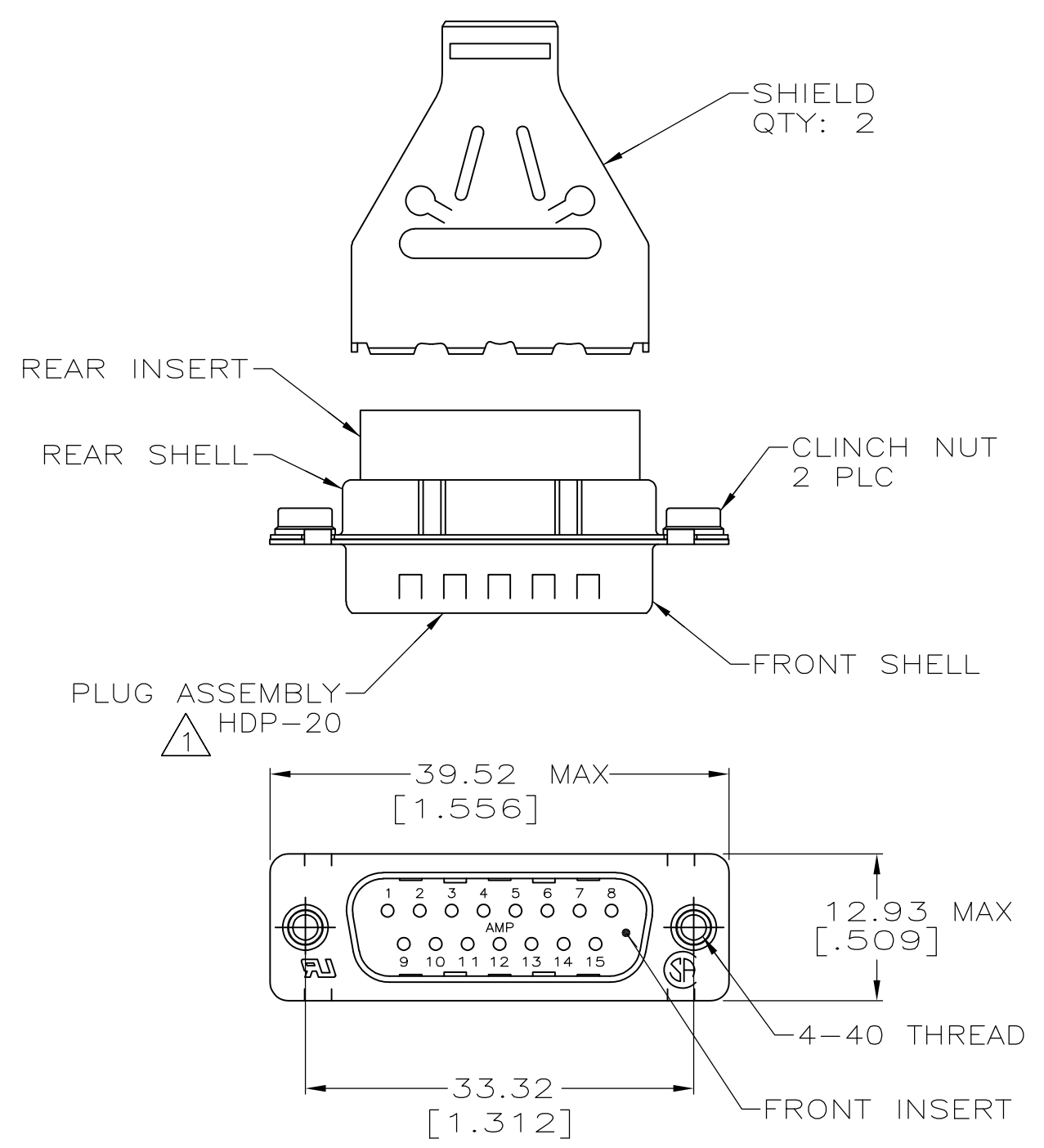


LOC	DIST	REVISIONS					
GP	00	P	LTR	DESCRIPTION	DATE	OWN	APVD
		A		REVISED PER ECO-14-011808	12AUG2014	AP	SB



- ① PLUG ACCEPTS SIZE 20 DF PIN CONTACTS. CONTACTS MUST BE PURCHASED SEPARATELY.
- ② SHELLS, SHIELDS & CLINCH NUTS: CARBON STEEL.
- ③ SHELLS & SHIELDS: 5.08 μm [.000200] MIN TIN OVER 2.54 μm [.000100] MIN COPPER.
- ④ INSERTS: GLASS-FILLED PBT OR GLASS-FILLED NYLON, UL94V-0 RATED. COLOR: BLACK.
- ⑤ CLINCH NUTS: ZINC PLATED, CLEAR CHROMATE.

5750636-1
 PART NO

THIS DRAWING IS A CONTROLLED DOCUMENT.		DWN G. ATTADIA - 11-11-04 DOCK5	TE Connectivity	
DIMENSIONS: mm[INCHES]		CHK J. GERACE 11-11-04		
TOLERANCES UNLESS OTHERWISE SPECIFIED:		APVD M. WALMSLEY 11-11-04	NAME SHIELDING HARDWARE KIT, UNASSEMBLED, PLUG, SIZE 2, 15 POSN, WITH CLINCH NUTS, AMPLIMITE HDP-20	
0 PLC ± - 1 PLC ± - 2 PLC ± 0.13 [.005] 3 PLC ± - 4 PLC ± - ANGLES ± ± 2°		PRODUCT SPEC 108-40005 & 108-40030	APPLICATION SPEC 114-40030	
MATERIAL	FINISH	WEIGHT	SIZE A2	CAGE CODE 00779
②	④	③	⑤	DRAWING NO 5750636
RESTRICTED CUSTOMER			SCALE 2:1	SHEET 1 OF 1
			REV A	RESTRICTED TO