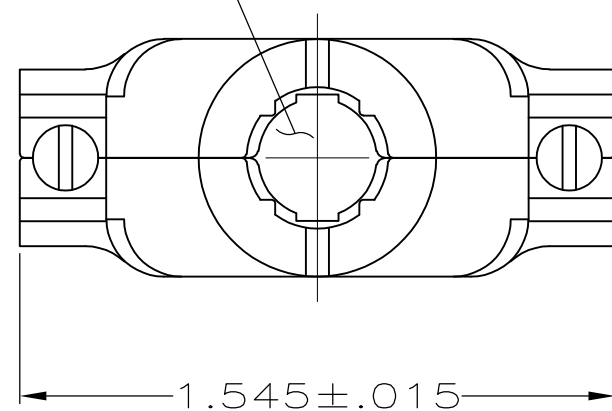


THIS DRAWING IS UNPUBLISHED. RELEASED FOR PUBLICATION
 © COPYRIGHT - By - ALL RIGHTS RESERVED.

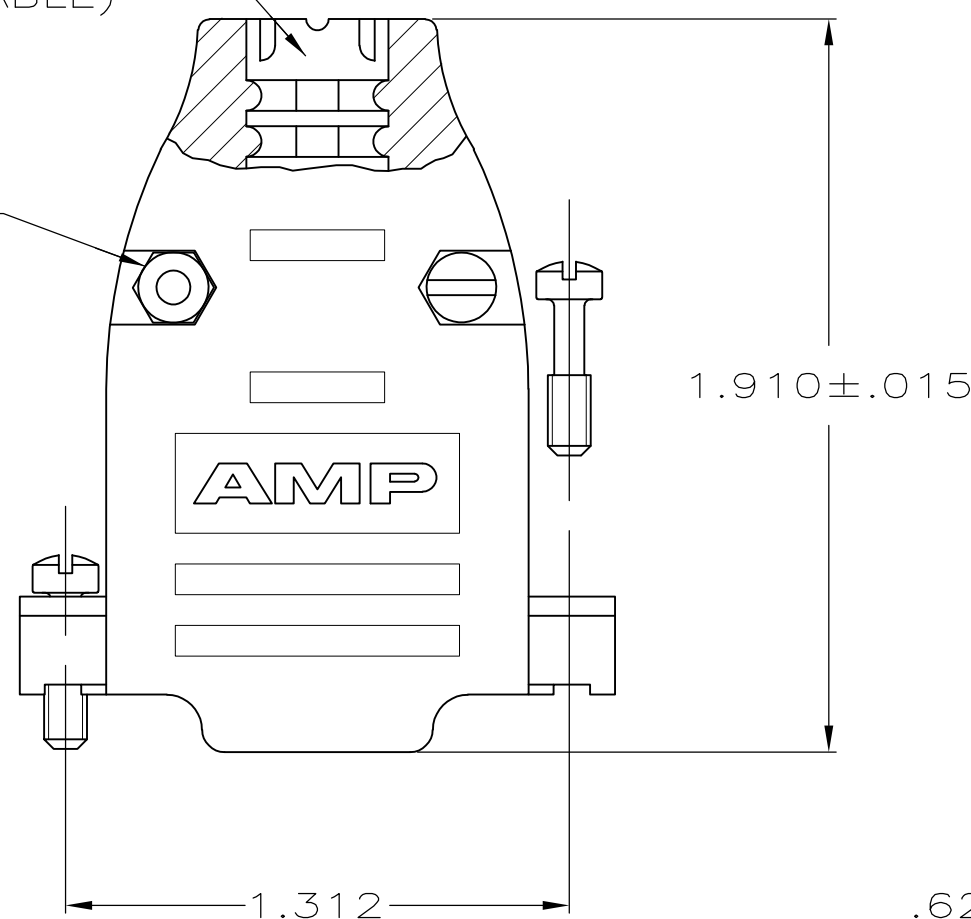
LOC	DIST	REVISIONS					
		P	LTR	DESCRIPTION	DATE	DWN	APVD
GP	00	P		REVISED PER ECO-11-004835	11MAR11	RK	HMR

OPENING FOR CABLE
 (SEE DASH NO FOR DIA)



SIZE IDENTIFICATION
 LETTER MOLDED HERE
 (SEE TABLE)

#4-40 FILLISTER HEAD
 STEEL SCREW
 & HEX NUT
 2 REQD.



.620 ± .015

.620 ± .015

CABLE CLAMP
 MATERIAL: FLAME RETARDANT THERMOPLASTIC
 FINISH: BRIGHT NICKEL OVER BRIGHT COPPER

#4-40 FILLISTER HEAD SCREW
 STEEL
 2 REQD.



1. ALL PARTS PACKAGED UNASSEMBLED.
2. THIS KIT CONSISTS OF 2 STRAIN RELIEF HALVES, 2 #4-40 SCREWS, 2 #4-40 NUTS & 2 #4-40 MOUNTING SCREWS.

ZINC PLATED .000200-.000400 THICK,
 CLEAR CHROMATE COATING.

**COPYRIGHT 2005
 TE CONNECTIVITY CORP
 ALL RIGHTS RESERVED**

B	.225	5747099-7
E	.300	5747099-5
H	.375	5747099-3
K	.430	5747099-1
SIZE IDENT LETTER	CABLE DIA	PART NO.

THIS DRAWING IS A CONTROLLED DOCUMENT.		DWN	D. HENNY	8-15-05		TE Connectivity																			
DIMENSIONS: INCHES		CHK	C. ROHDE	8-15-05		NAME																			
TOLERANCES UNLESS OTHERWISE SPECIFIED:		APVD	M. WALMSLEY	8-15-05		CABLE CLAMP KIT, SIZE 2, 15 POSITION, 180 DEG, AMPLIMITE SERIES, PLATED PLASTIC																			
<table border="1"> <tr><td>0 PLC</td><td>±</td><td>-</td></tr> <tr><td>1 PLC</td><td>±</td><td>-</td></tr> <tr><td>2 PLC</td><td>±</td><td>-</td></tr> <tr><td>3 PLC</td><td>±</td><td>.005</td></tr> <tr><td>4 PLC</td><td>±</td><td>-</td></tr> <tr><td>ANGLES</td><td>±</td><td>-</td></tr> </table>		0 PLC	±	-		1 PLC	±	-	2 PLC	±	-	3 PLC	±	.005	4 PLC	±	-	ANGLES	±	-	PRODUCT SPEC	-		-	
0 PLC	±	-																							
1 PLC	±	-																							
2 PLC	±	-																							
3 PLC	±	.005																							
4 PLC	±	-																							
ANGLES	±	-																							
MATERIAL		FINISH	SEE CALLOUTS		WEIGHT	-																			
SEE CALLOUTS		SEE CALLOUTS		CUSTOMER DRAWING	SCALE	1:1	SHEET 1 of 1																		
				SIZE	A2	CAGE CODE	00779																		
				DRAWING NO	C=5747099		RESTRICTED TO																		
				REV	P																				