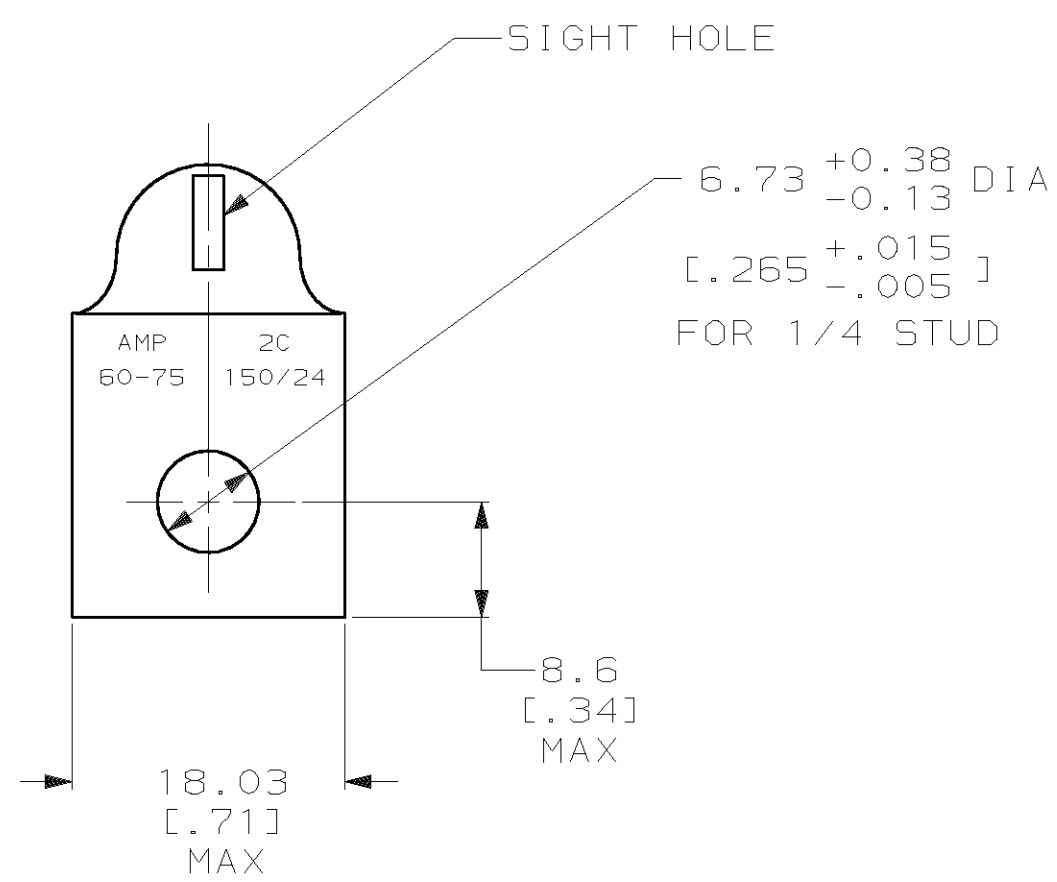
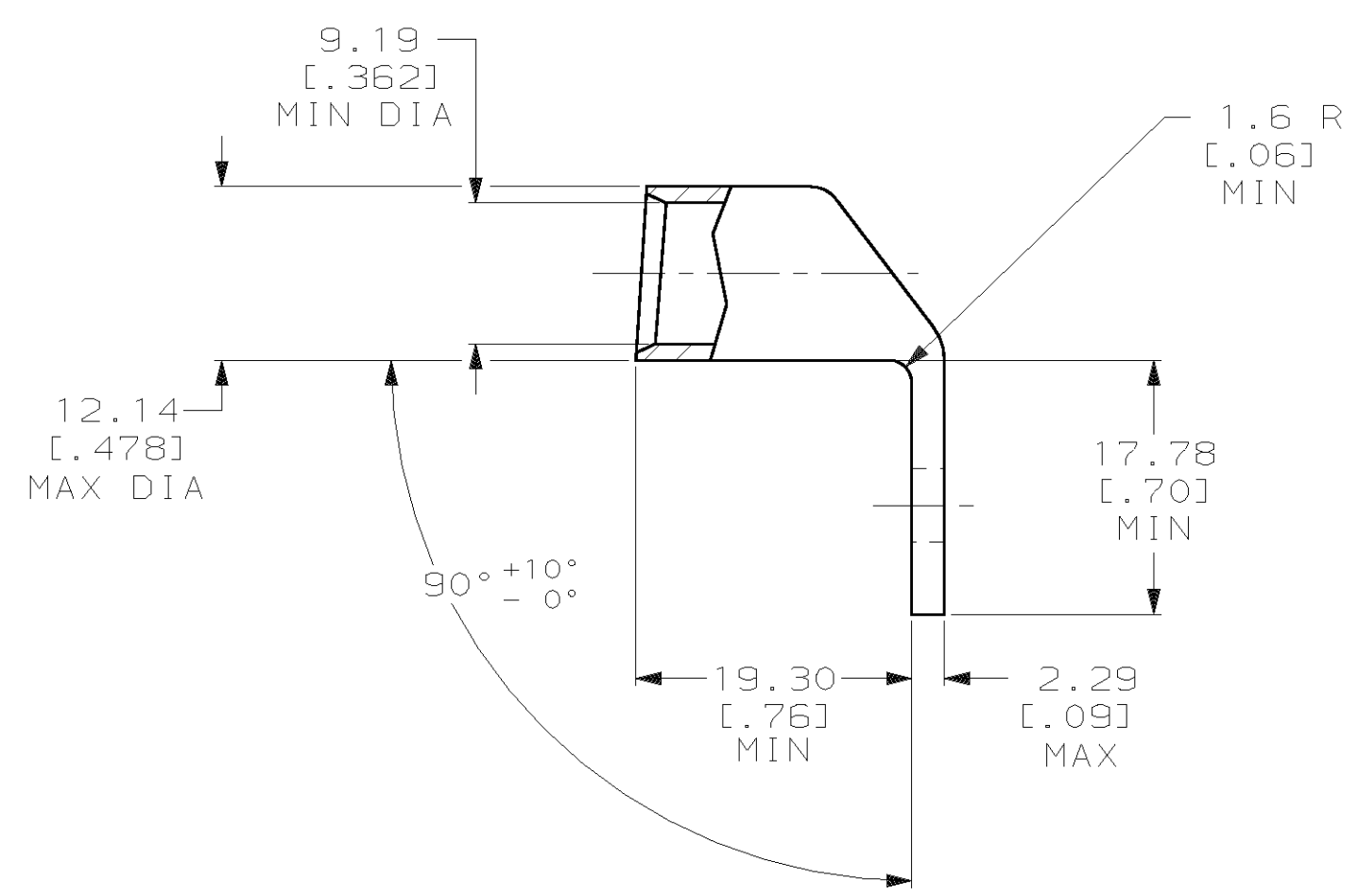


THIS DRAWING IS UNPUBLISHED. RELEASED FOR PUBLICATION ,19 .
 © COPYRIGHT 19 BY AMP INCORPORATED. ALL INTERNATIONAL RIGHTS RESERVED.

REVISIONS								
LOC	DIST	P	F	ZONE	LTR	DESCRIPTION	DATE	APPD
G	86				C	REV PER 0G3A-0561-01	030CT02	JR/MS

- 1 TIN PL 0.00381 [.000150] MIN THK PER MIL-T-10727
- 2 CIRCULAR MIL AREA RANGE: 52,600-83,700 CM



55813-1
PART NO

DO NOT SCALE PRINT. UNLESS SPECIFIED DIMENSIONS IN mm [INCHES] TOLERANCES ON : 2 PLC DEC ± 0.51 [.020] 3 PLC DEC ± - ANGLES ± -	DR 5/22/91 DK SCHRUM	AMP INCORPORATED Harrisburg, Pa. 17105
	CHK 5/31/91 AJ KAUFMAN	
MATERIAL ANNEALED COPPER ASTM B-75	APPD 5/31/91 WJ VOCKROTH	NAME
	APPD 5/31/91 AJ ADELMANN	TERMINAL, AMPPOWER™ WIRE SIZE: 34.0mm ² [2]AWG
FINISH 1	PRODUCT SPEC 108-30200	SIZE
	APPLICATION SPEC -	CAGE CODE 00779
	WEIGHT .024 LBS	DRAWING NO 55813
		SCALE 2:1
		SHEET 1 OF 1

METRIC