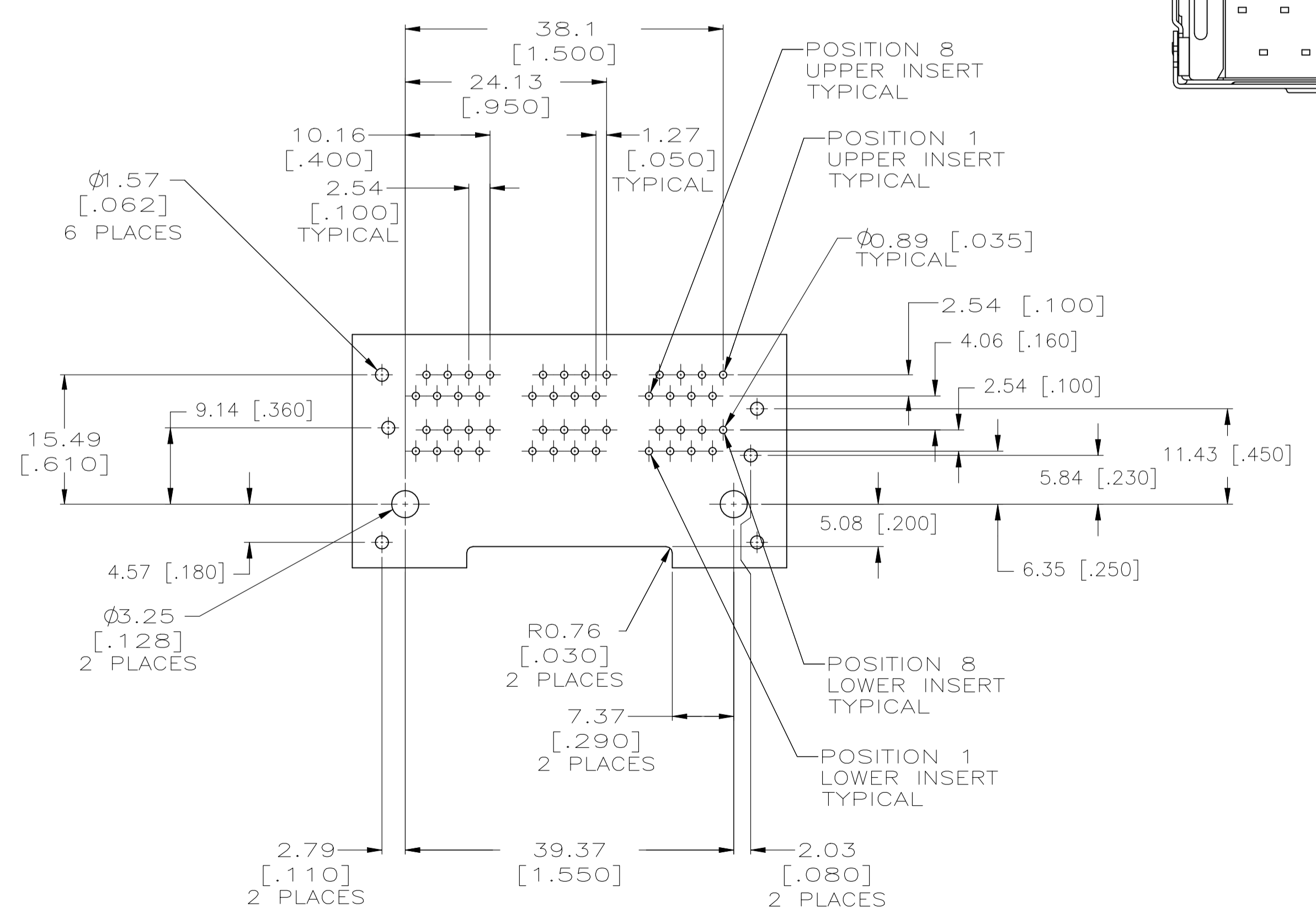
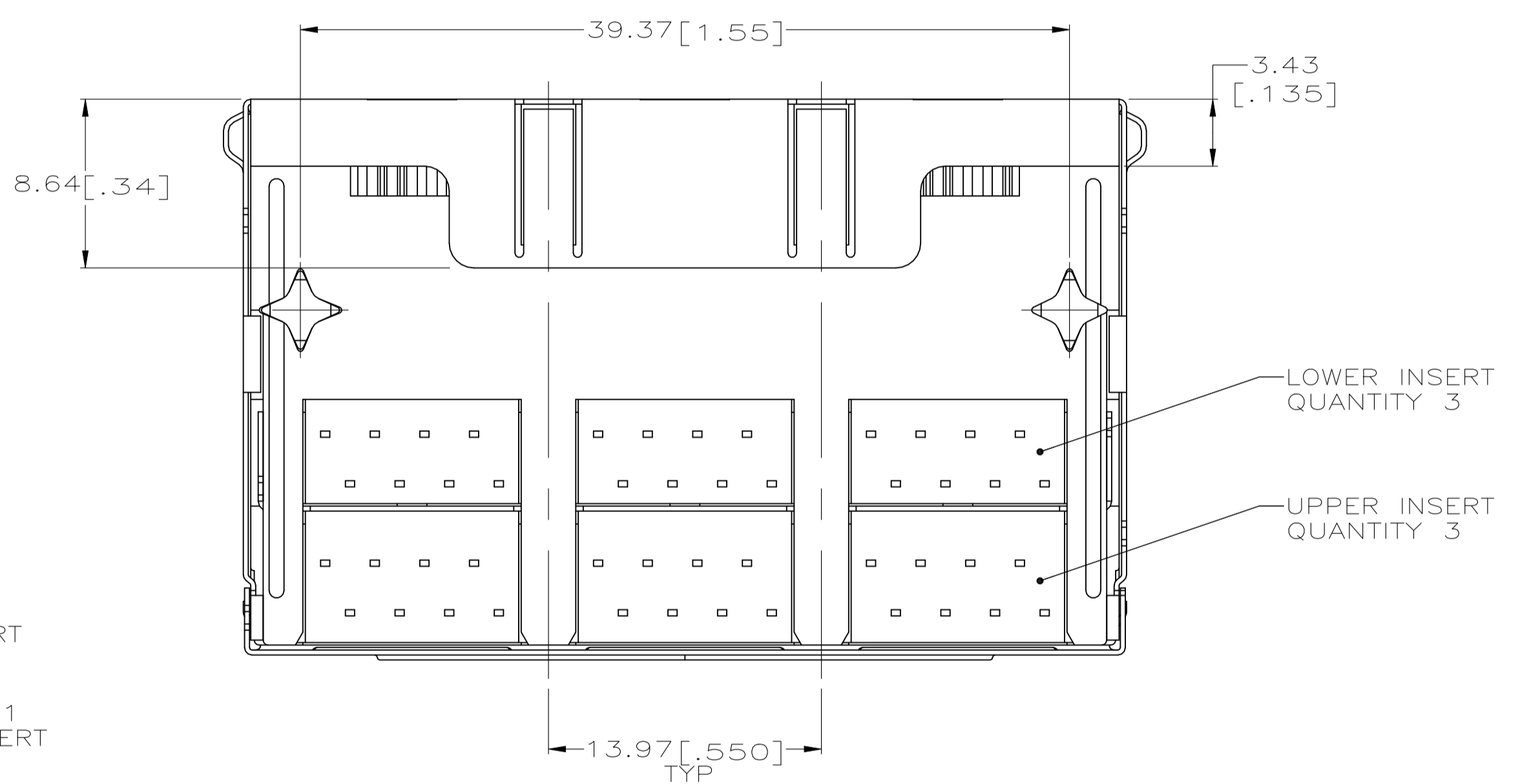
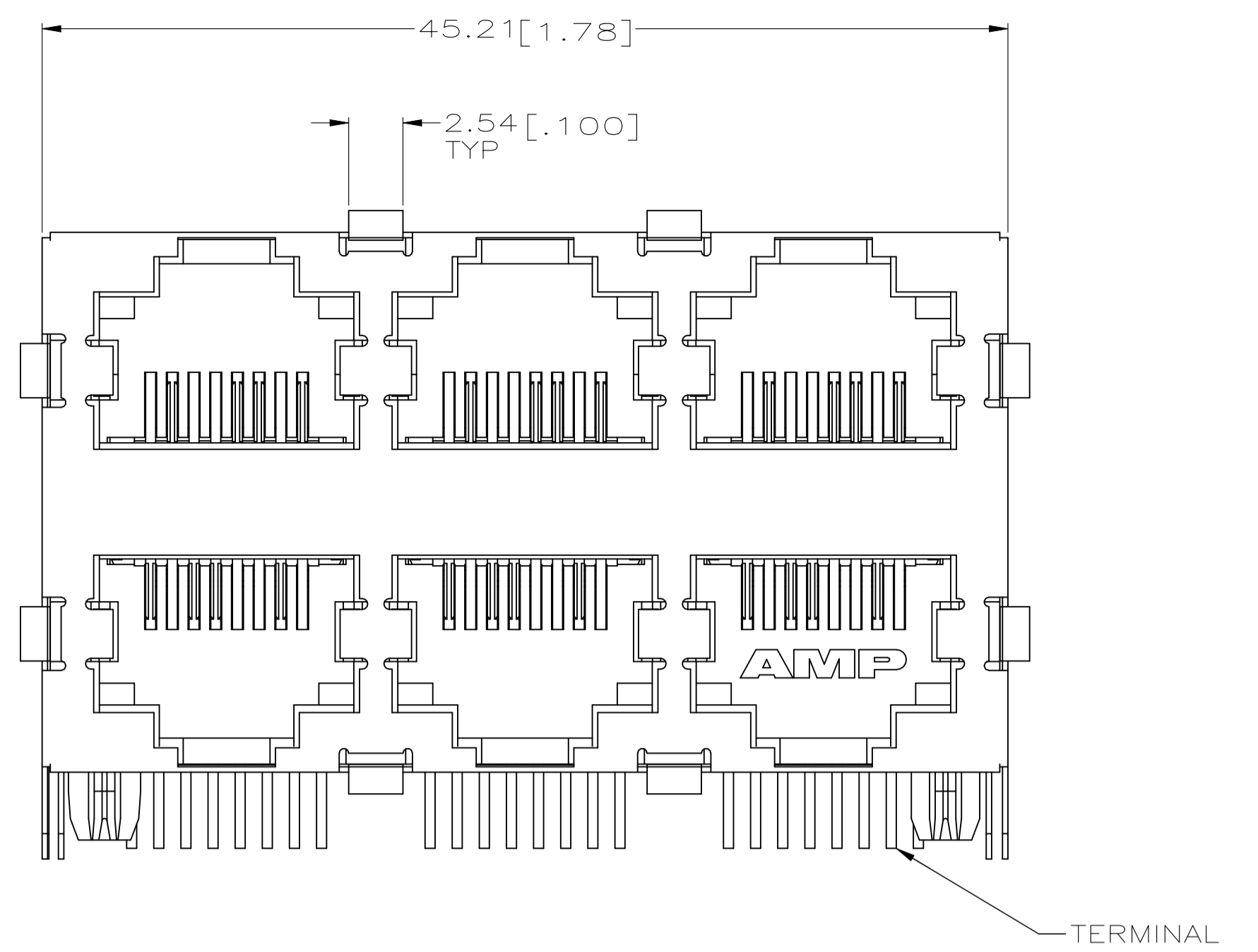
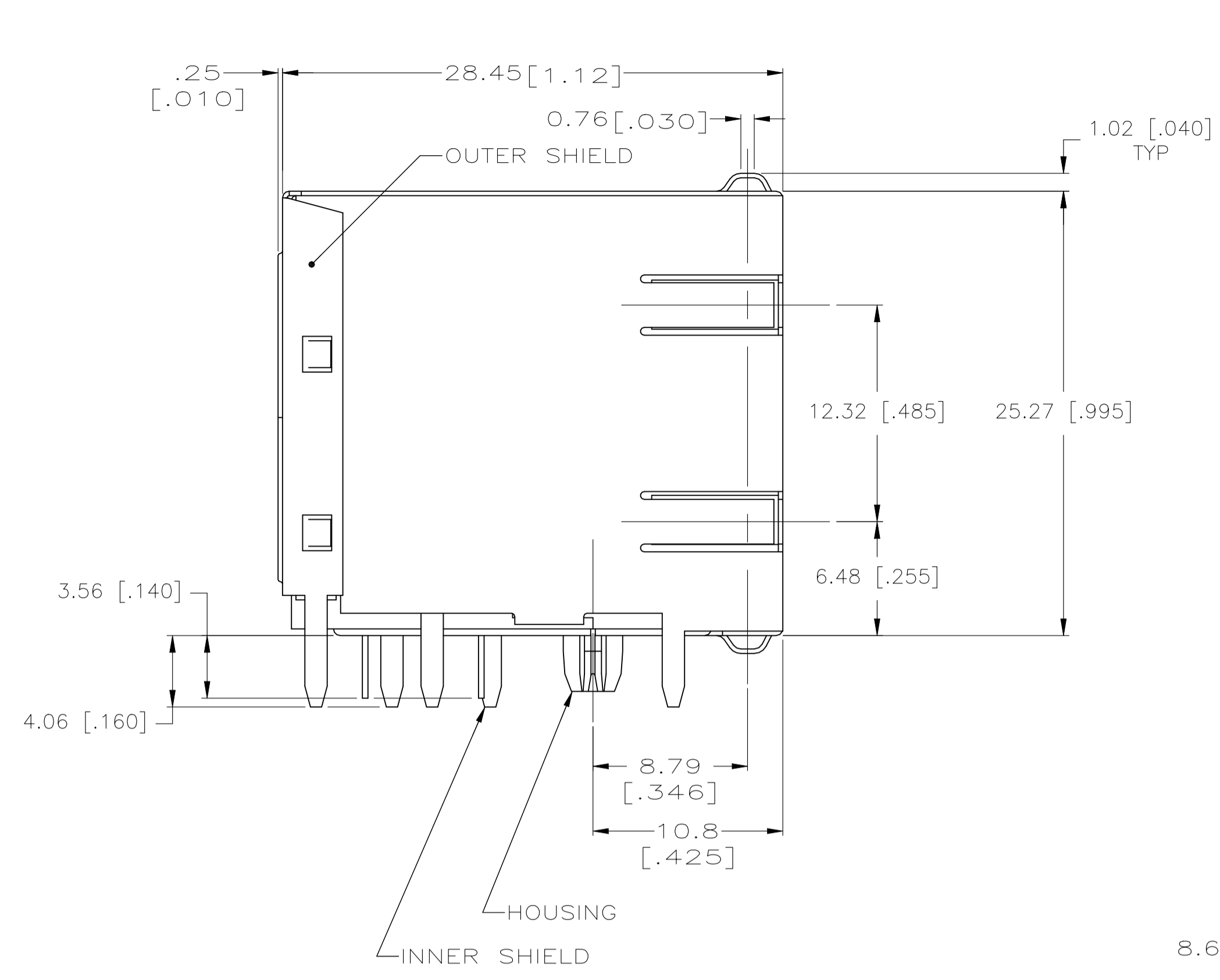
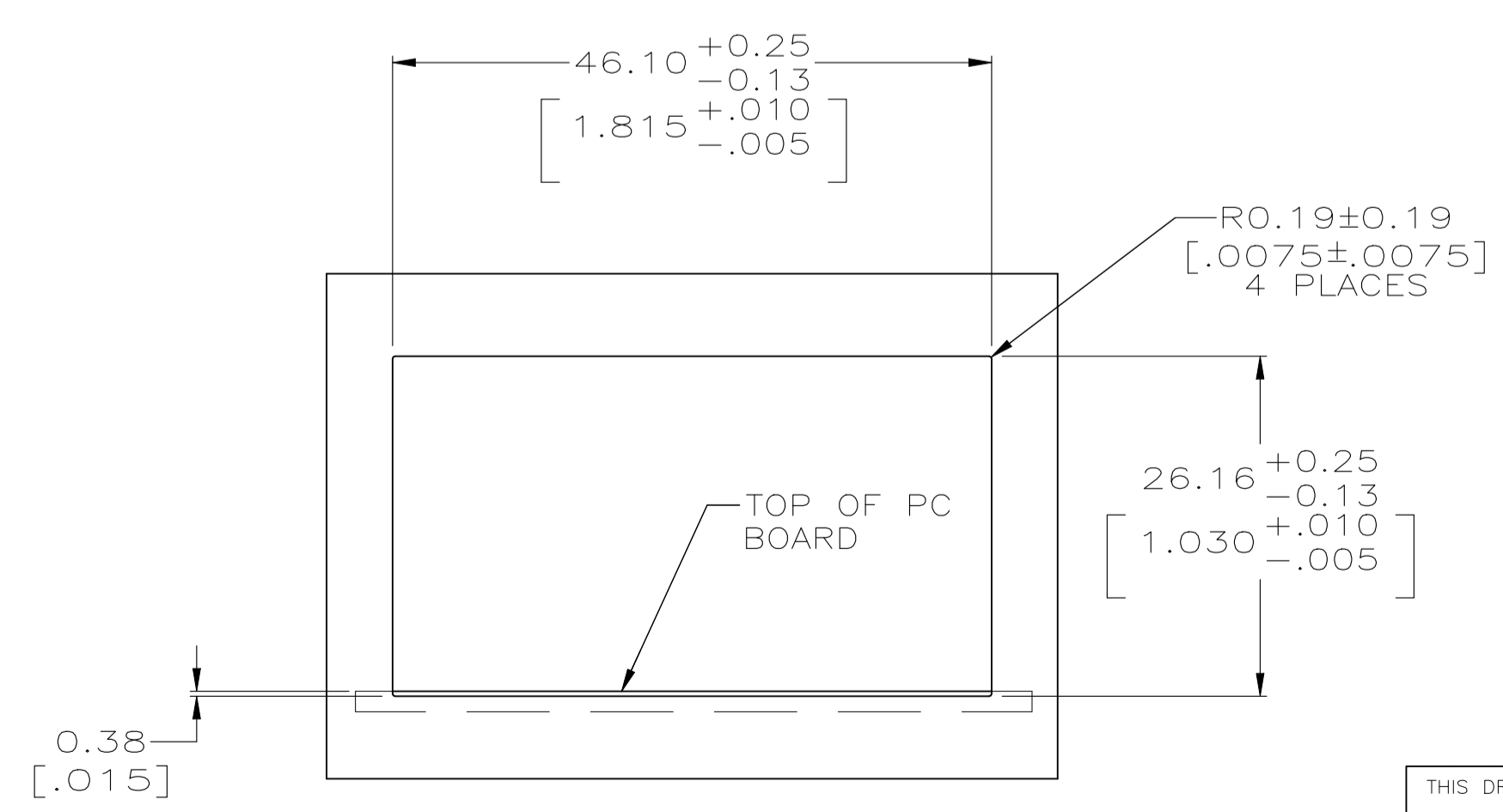


REVISIONS					
REV	DESCRIPTION	DATE	BY	CHK	APPD
A2	REVISED AS PER ECR-23-169440	19APR2023	JK	WH	

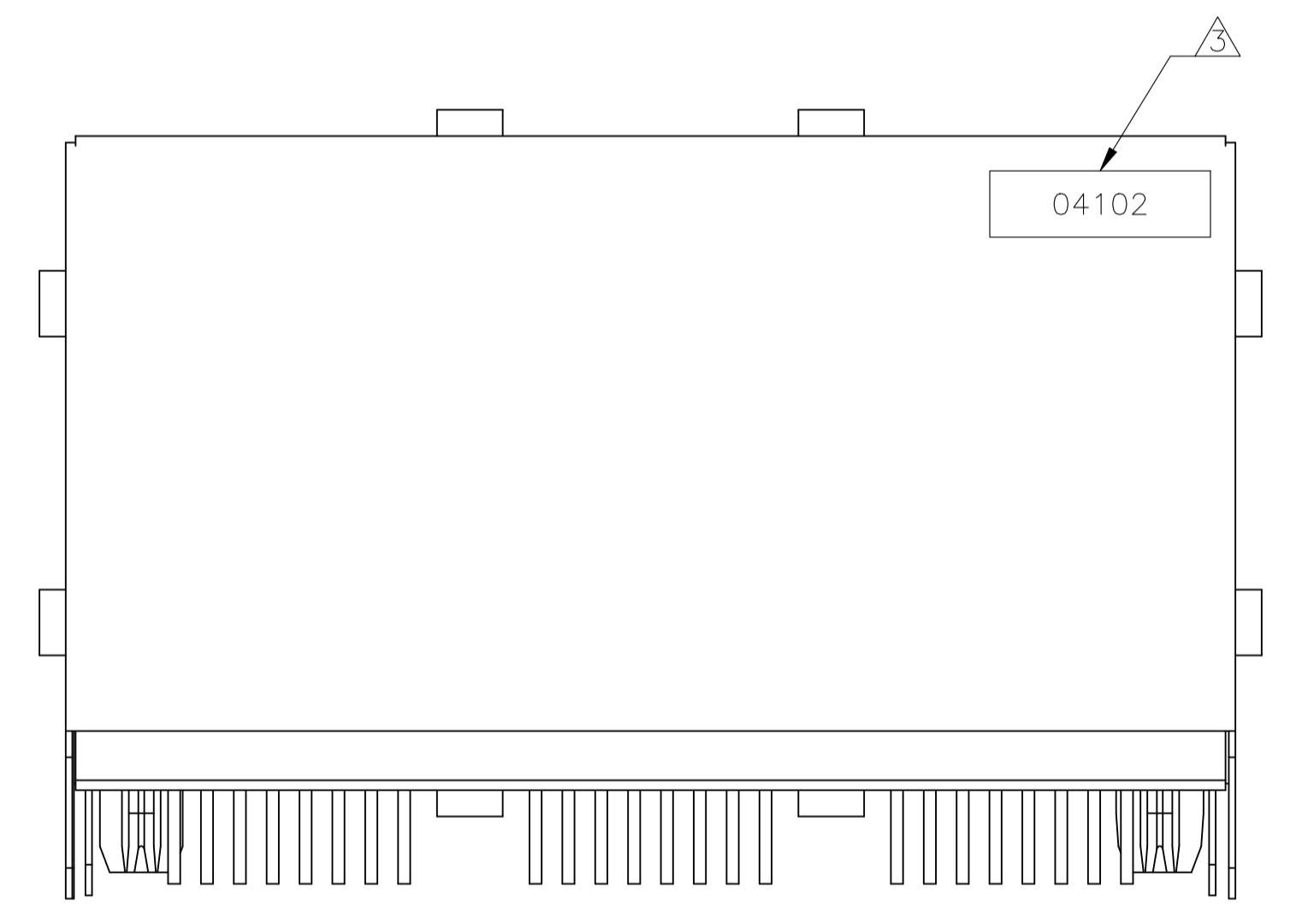


PC BOARD LAYOUT VIEWED FROM COMPONENT SIDE
SCALE 2:1



SUGGESTED PANEL CUTOUT DIMENSIONS
SCALE 2:1

- ⚠ MATERIAL:
HOUSING - PCT POLYESTER, BLACK, UL94V-0.
OVERMOLDED TERMINAL ARRAY - PBT, BROWN.
TERMINALS - 0.33 [.013] THICK PHOS BRONZE
PLATED WITH 1.27um [.000050] MIN THICK
HARD GOLD IN LOCALIZED AREA AND 3.81um
[.000150] MIN THICK MATTE TIN IN SOLDER
AREA OVER 1.27um [.000050] MIN THICK
NICKEL UNDERPLATE.
OUTER SHIELD AND INNER SHIELD - 0.25 [.010]
THICK COPPER ALLOY PLATED WITH 1.27 um
[.000050] MINIMUM NICKELAND 2.03 um [.000080]
MINIMUM HOT TIN DIPON PCB GROUND TABS.
- ⚠ JACK CAVITY CONFORMS TO FCC RULES AND
REGULATIONS, PART 68 SUBPART F.
- ⚠ DATE CODE LOCATED ON REAR OF PART
APPROXIMATELY AS SHOWN:
FIRST 2 DIGITS ARE LAST 2 DIGITS OF YEAR,
SECOND 2 DIGITS ARE MANUFACTURING
WORK WEEK,
LAST DIGIT IS DAY OF WEEK, WITH SUNDAY = 1.



BACK VIEW

5569261-1
PART NUMBER

THIS DRAWING IS A CONTROLLED DOCUMENT.		DWG A. FERNANDEZ-DUCKS 15JUN2005	TE Connectivity	
DIMENSIONS: mm [INCHES]		CHK J. WESTMAN 15JUN2005	APVD S. FLICKINGER 15JUN2005	
TOLERANCES UNLESS OTHERWISE SPECIFIED:		NAME STACKED MODULAR JACK ASSEMBLY, 2x3 PORT, 8 POSITION, SHIELDED, PANEL GROUND, CATEGORY 5		
0. PLC ± -	1. PLC ± -	PRODUCT SPEC 108-1163-2		
2. PLC ± 0.25(.01)	3. PLC ± 0.13(.005)	APPLICATION SPEC 114-2048		
4. PLC ± -	ANGLES ± -	SIZE A1	CAGE CODE 00779	DRAWING NO 5569261
MATERIAL	FINISH	WEIGHT 0.000000	SCALE 4:1	SHEET 1 of 1
		CUSTOMER DRAWING	REV A2	