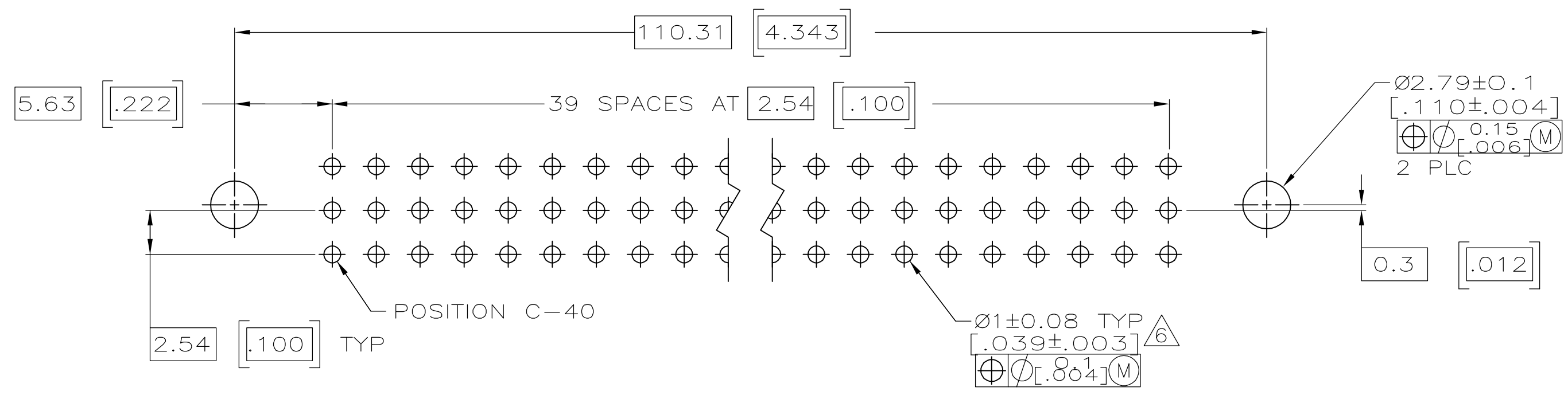
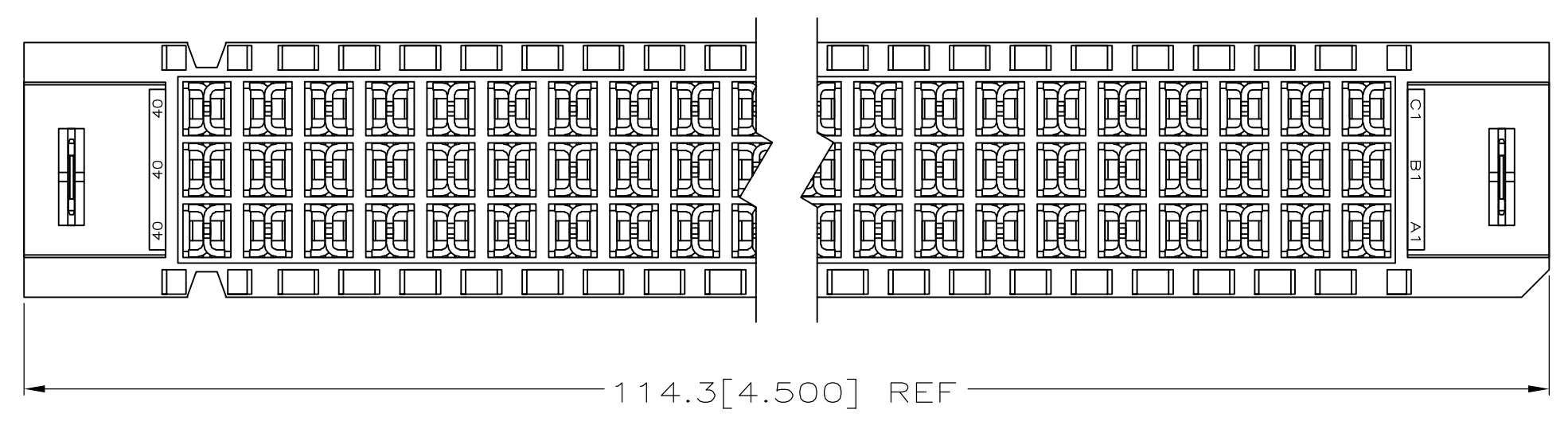
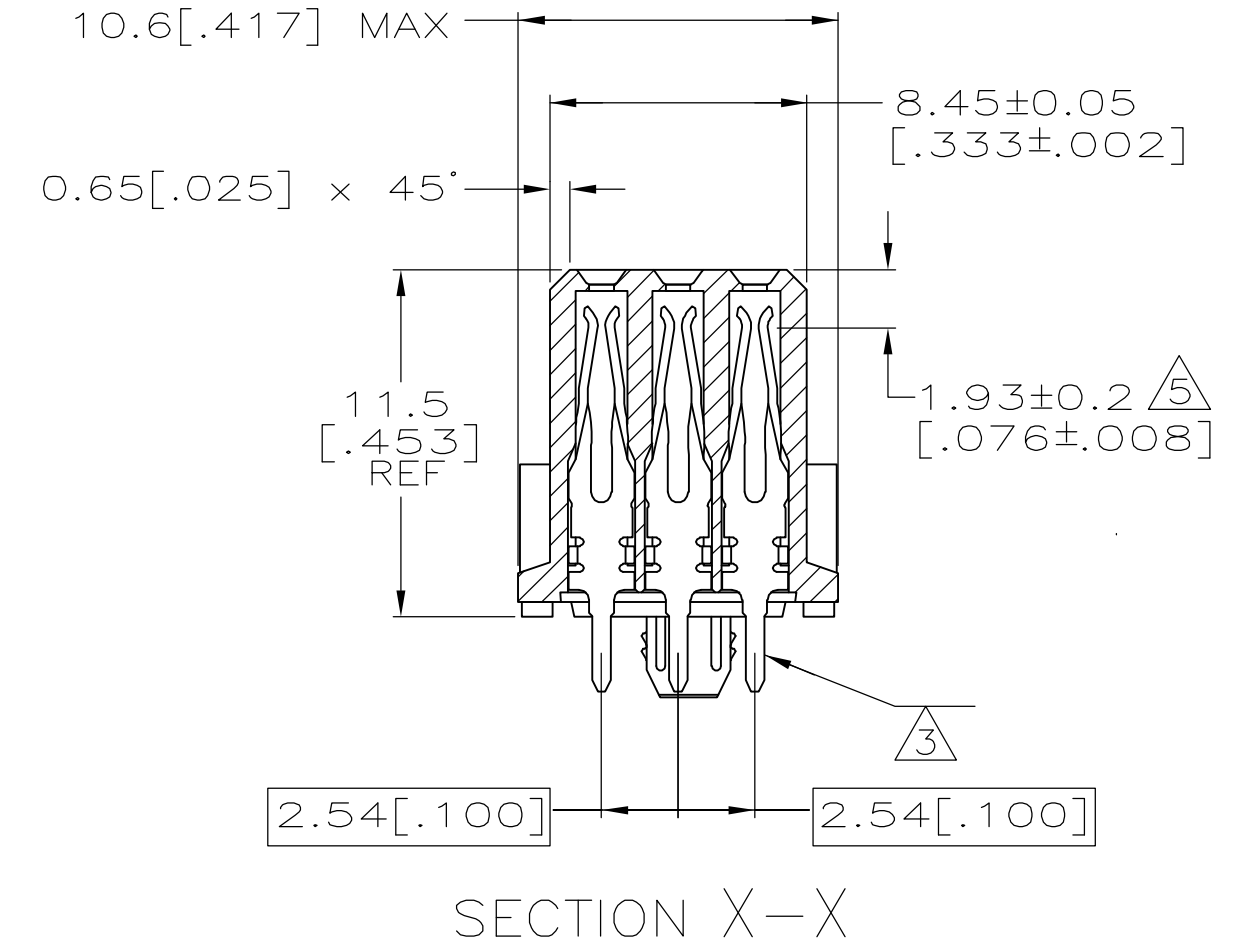
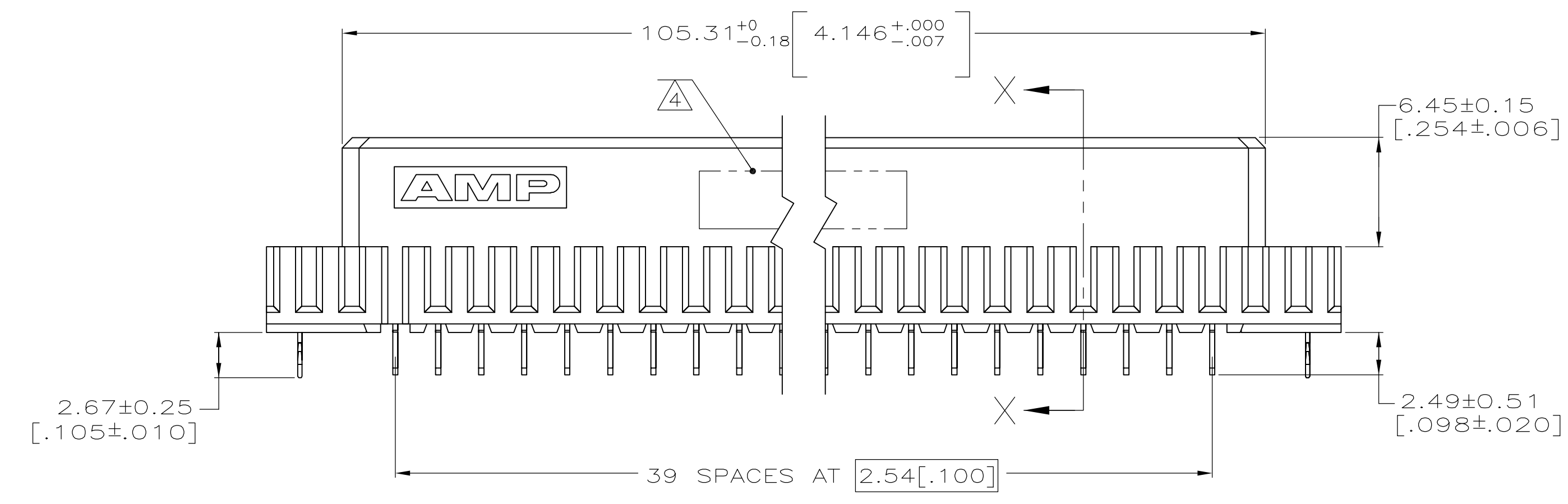
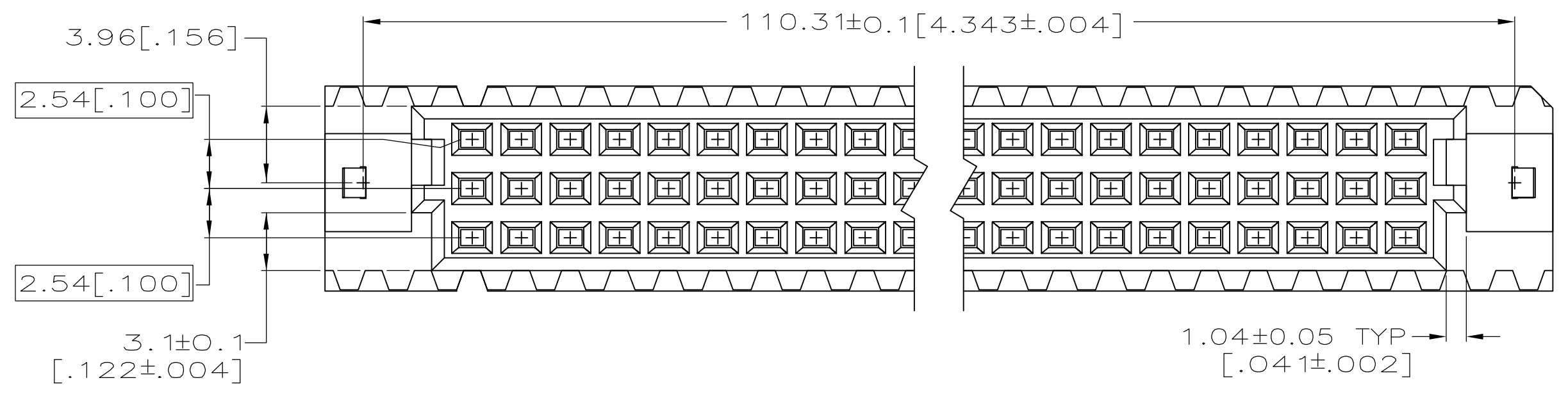


- 1 HOUSING MATERIAL: GLASS-FILLED POLYMER.
- 2 CONTACT MATERIAL: COPPER ALLOY.
- 3 CONTACT FINISH: DIN 41612 CLASS 2 IN CONTACT AREA. TIN PLATE ON POSTS.
- 4 PART NUMBER, DATE CODE IDENTIFICATION, CSA LOGO IN THIS APPROXIMATE AREA.
- 5 CONTACT POINT.
- 6 RECOMMENDED HOLE SIZE FOR MANUAL APPLICATION OF CONNECTOR ONTO PC BOARD.



1-40	X	X	X	120	5536489-5
POSITIONS LOADED	C	B	A	NO. OF LOADED POSITION	ASSY PART NUMBER
	ROWS LOADED				

THIS DRAWING IS A CONTROLLED DOCUMENT.

DIMENSIONS: mm [INCHES]	TOLERANCES UNLESS OTHERWISE SPECIFIED:	DWN: J. POLIGNONE 28OCT05	tyco Electronics	Tyco Electronics Corporation Harrisburg, PA 17105-3608
0 PLC ± -	1 PLC ± -	CHK: A. SHARPE 28OCT05	NAME: ASSEMBLY, RECEPTACLE, EUROCARD, TYPE C, LEAD-FREE, 120 POSITION, 2.49[.098] SOLDER POSTS WITH BOARD-LOCKS	
2 PLC ± -	3 PLC ± 0.13[.005]	APPD: A. SHARPE 28OCT05	PRODUCT SPEC: -	
4 PLC ± -	ANGLES ± -	FINISH: 3	APPLICATION SPEC: -	
MATERIAL: 1, 2		SIZE: A1	CAGE CODE: 00779	DRAWING NO: 5536489
		WEIGHT: -	CUSTOMER DRAWING	RESTRICTED TO: -
		SCALE: 4:1	SHEET: 1 OF 1	REV: A