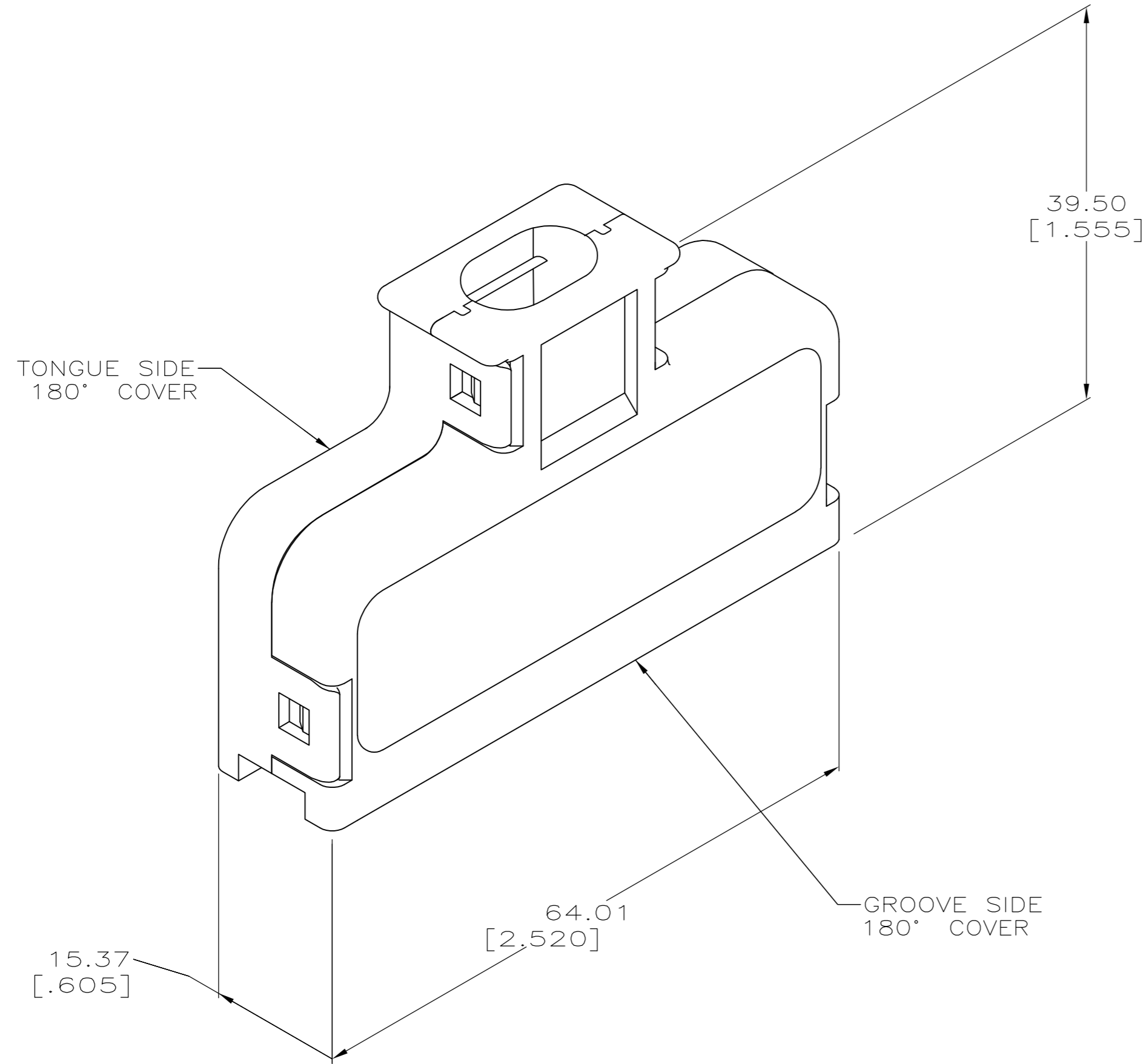


THIS DRAWING IS UNPUBLISHED. RELEASED FOR PUBLICATION
 © COPYRIGHT - By - ALL RIGHTS RESERVED.

LOC		DIST		REVISIONS				
P	LTR	DESCRIPTION			DATE	DWN	APVD	
AA	20	U2		REVISED PER ECO-12-019458	09APR13	BM	PR	



- 1. MATERIAL: POLYPHENYLENE OXIDE MOLDING COMPOUND. SEE TABLE FOR COLOR.
- 2. ALL DIMENSIONS SHOWN ARE MAXIMUM UNLESS OTHERWISE SPECIFIED.
- 3. 100 KITS BULK PACKAGED.

SUPERSEDED BY 4-552008-1

12.19-13.97 [.480-.550]	ALMOND	4-552007-2	4-552006-2	4-552008-2
12.19-13.97 [.480-.550]	BLACK	4-552007-1	4-552006-1	4-552008-1
8.38-9.65 [.330-.380]	BLACK	3-552007-1	3-552006-1	3-552008-1
9.65-10.92 [.380-.430]	BLACK	2-552007-1	2-552006-1	2-552008-1
10.92-12.45 [.430-.490]	GRAY	552007-4	552006-4	552008-4
10.92-12.45 [.430-.490]	BLACK	552007-1	552006-1	552008-1
CABLE RANGE DIAMETER	COLOR	GROOVE SIDE PART NO.	TONGUE SIDE PART NO.	KIT PART NO.

THIS DRAWING IS A CONTROLLED DOCUMENT.		DWN D. STRAUSSER 16APR97		
DIMENSIONS: mm [INCHES]		CHK M. HUGHES 21APR97		
TOLERANCES UNLESS OTHERWISE SPECIFIED:		APVD M. HUGHES 21APR97	NAME COVER KIT, 180 DEGREE, 50 POSITION, CHAMP	
0 PLC ± -		PRODUCT SPEC	SIZE	
1 PLC ± -		APPLICATION SPEC	CAGE CODE	
2 PLC ± -		WEIGHT	DRAWING NO	
3 PLC ± -		CUSTOMER DRAWING	RESTRICTED TO	
4 PLC ± -			SCALE	
ANGLES ± -			SHEET	
FINISH			REV	
MATERIAL			U2	

- 552008