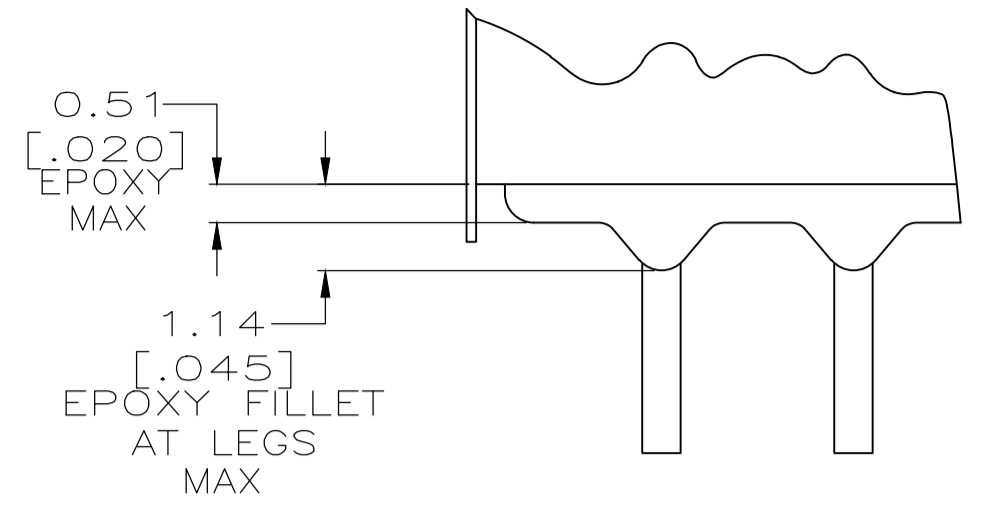
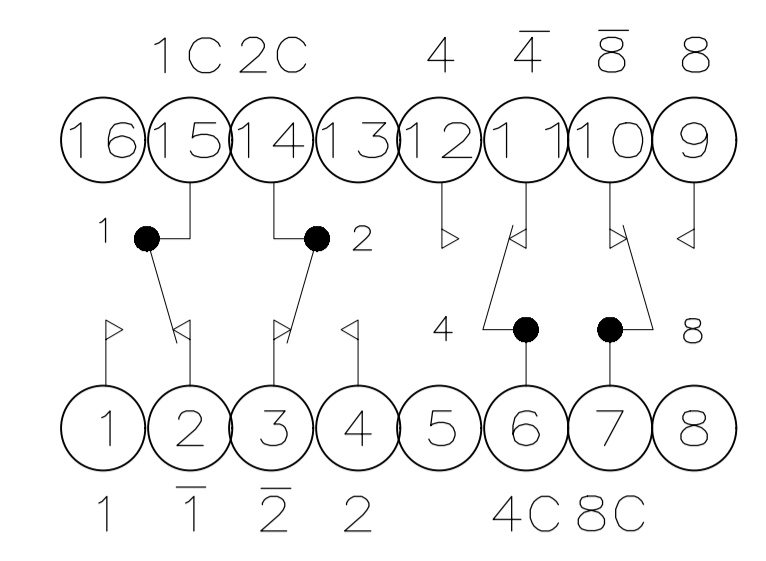


REVISIONS				
P	LTR	DESCRIPTION	DATE	BY
L		ECC-20-012218	01SEP2020	SB JB



DETAIL A
SCALE 10:1

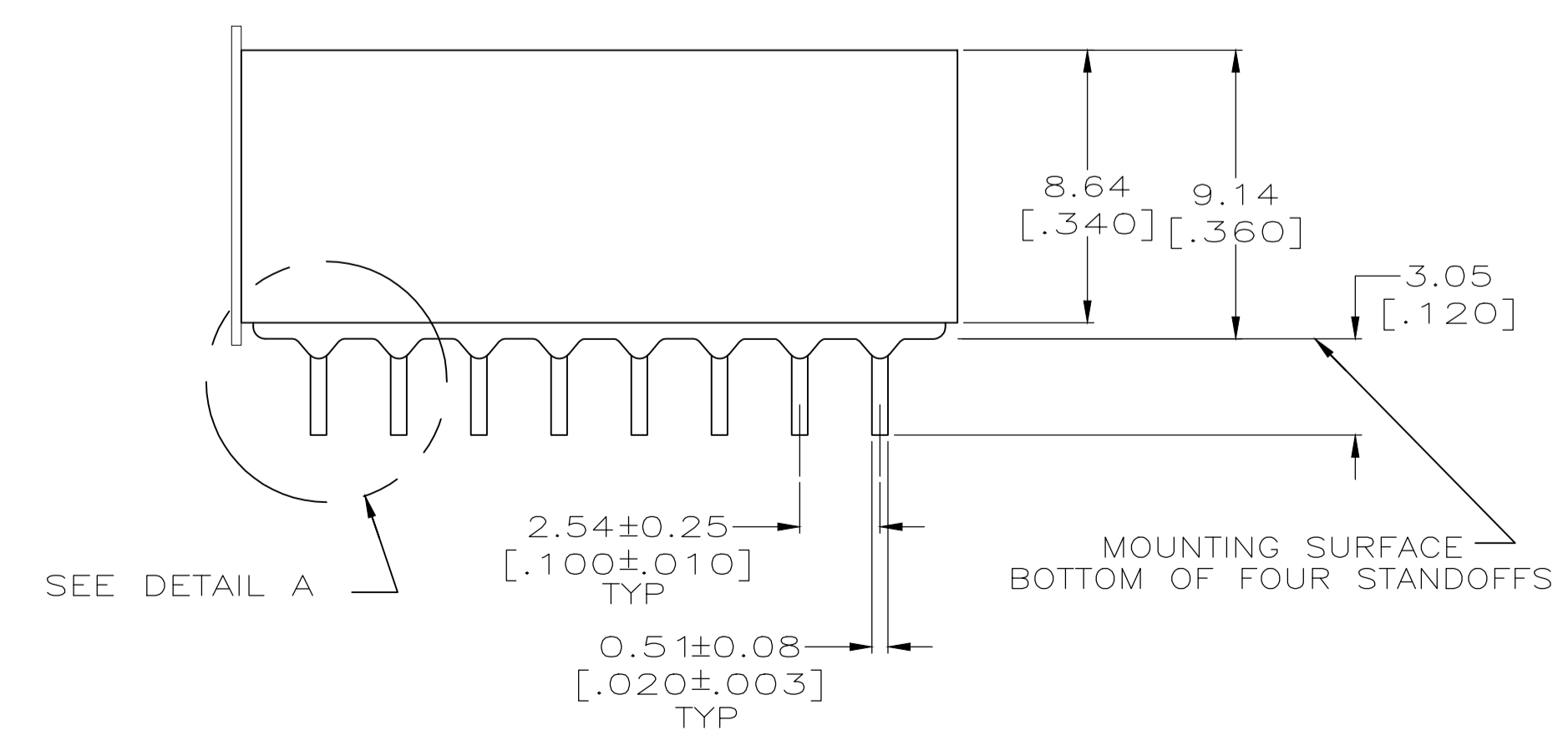
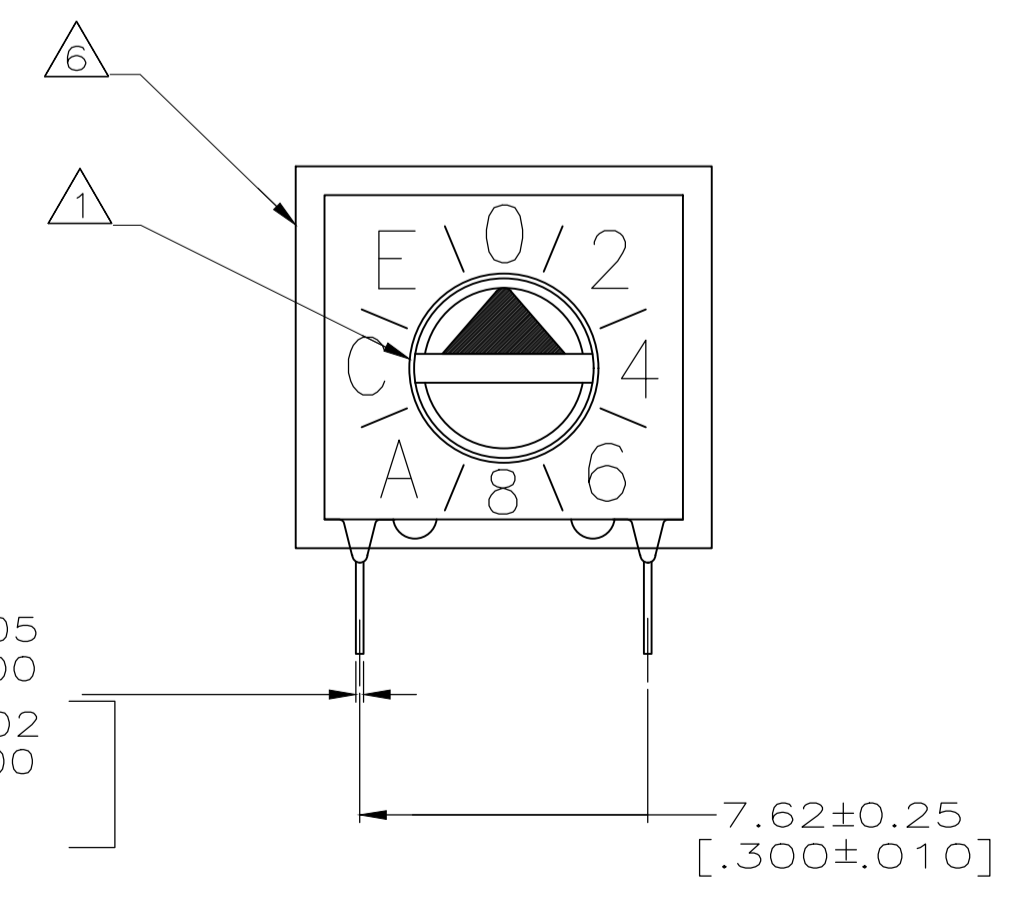
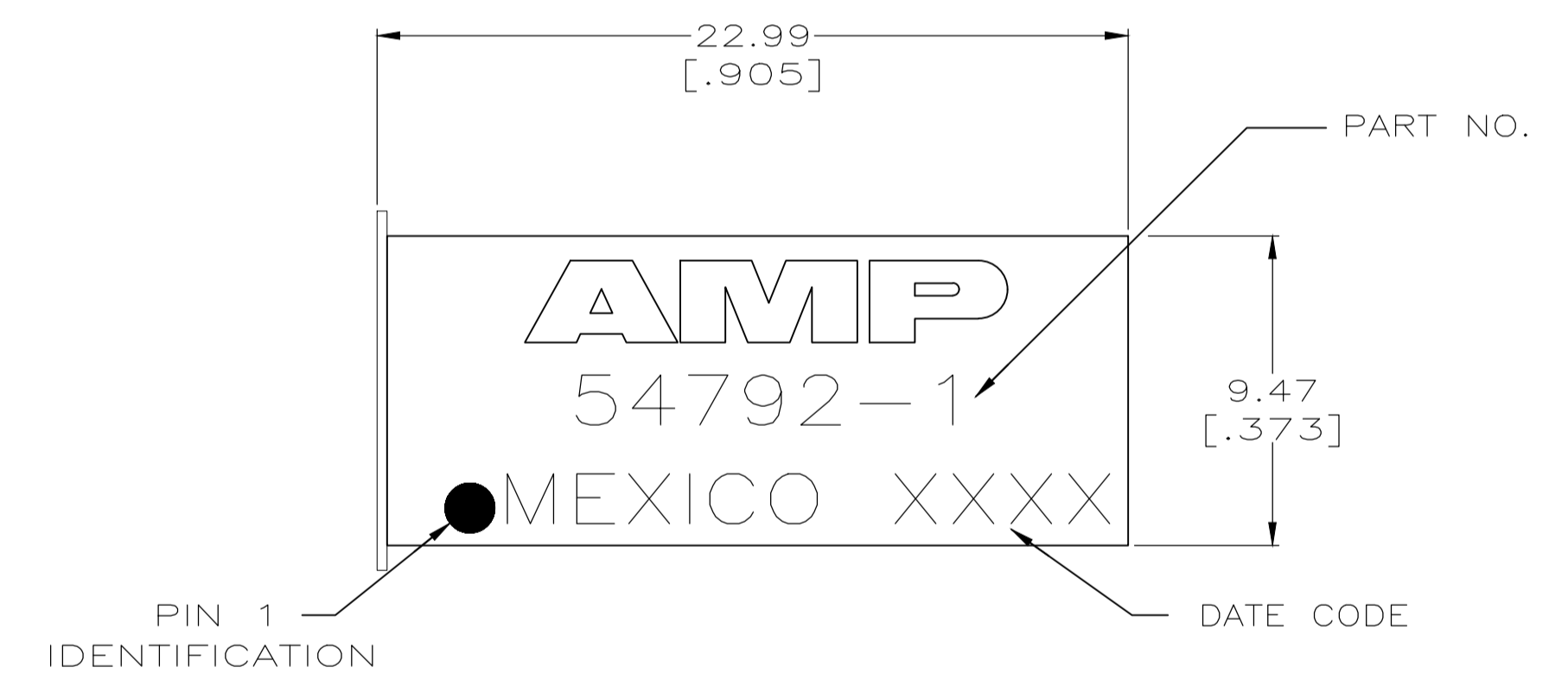


SCHEMATIC
(POSITION 0)

- 1. SLOT FOR SCREWDRIVER ACTUATION, AFTER REMOVAL OF TAPE.
- 2. FOR ADDITIONAL SPECIFICATIONS SEE AMP PRODUCT SPEC 108-7066 AND INSTRUCTION SHEET 6811.
- 3. SWITCH BOTTOM IS SEALED.
- 4. CONTACT FINISH TO BE 0.00076 [.000030] GOLD OVER NICKEL.
- 5. MATERIAL:
HOUSING : BLACK POLYESTER
CONTACTS : BERYLLIUM COPPER.
- 6. REMOVABLE TAPE TO SEAL ACTUATOR END.
- 7. MARKS WILL BE ADDED BY LASER MARK PROCESS

		POSITION															
		0	1	2	3	4	5	6	7	8	9	A	B	C	D	E	F
COMMON TO	1		●		●		●		●		●		●		●		●
	2			●	●			●	●				●	●			●
	4					●	●	●	●					●	●	●	●
	8										●	●	●	●	●	●	●
	1-bar	●		●		●		●		●		●		●		●	
	2-bar	●	●			●	●			●	●			●	●		
	4-bar	●	●	●	●					●	●	●	●				
	8-bar	●	●	●	●	●	●	●	●								

HEXADECIMAL: WITH COMPLEMENT



54792-1
PART NUMBER

THIS DRAWING IS A CONTROLLED DOCUMENT.		DIN W. SORAH 1-8-97	TE Connectivity
DIMENSIONS: mm [INCHES]		CHK: R. TALLEY 1-8-97	
TOLERANCES UNLESS OTHERWISE SPECIFIED:		APVD: J. ROBB 1-8-97	NAME: SWITCH ASSY, PREPROGRAMMED DIP, 16 POSITION, SCREWDRIVER SLOT
0 PLC ± -	1 PLC ± -	APPLICATION SPEC	SIZE: A1
2 PLC ± 0.30 [.012]	3 PLC ± -	WEIGHT	CAGE CODE: 00779
4 PLC ± -	ANGLES ± -	CUSTOMER DRAWING	DRAWING NO: 54792-1
MATERIAL: △	FINISH: △	SCALE: 5:1	SHEET 1 OF 1