

THIS DRAWING IS UNPUBLISHED.

RELEASED FOR PUBLICATION

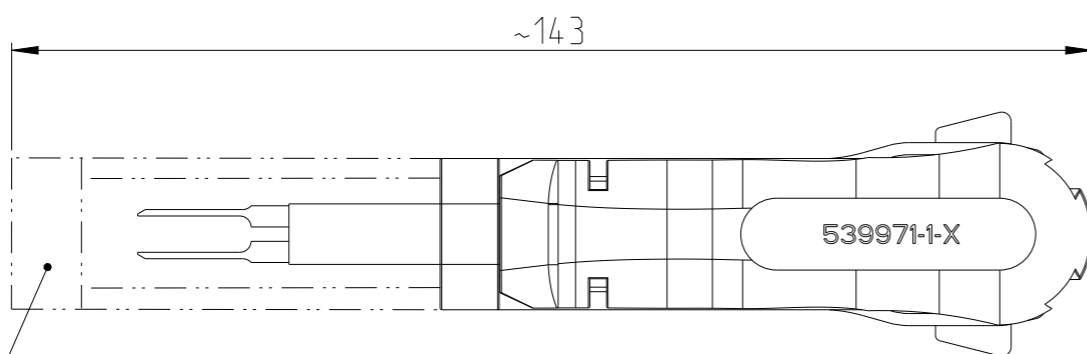
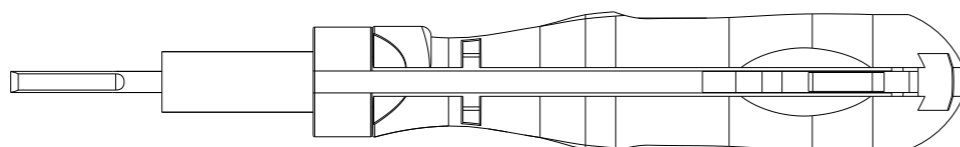
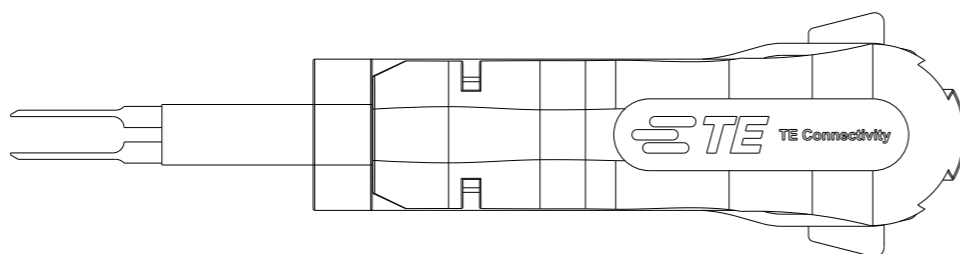
20

© COPYRIGHT 20 BY -

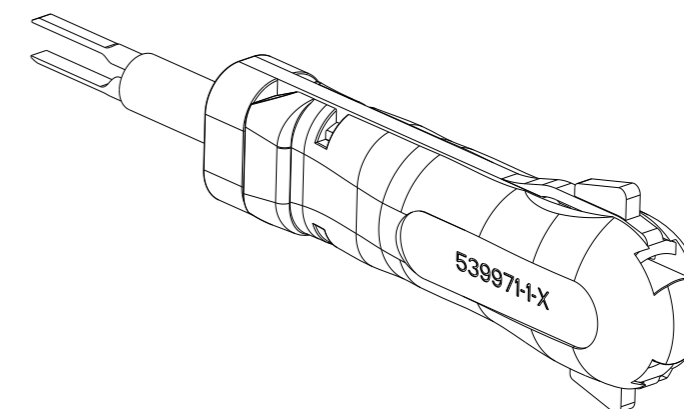
ALL RIGHTS RESERVED.

REVISIONS

P	LTR	DESCRIPTION	DATE	DWN	APVD
	A2	ECR-18-014333	11SEP2018	KH	BM
	B	ECR-21-004543	19APR2021	PNT	GS



COVER SLIDE
Schutzschieber



FOR CONTACTS : AMP MCP 9.5

(REPLACEMENT FOR TOOL 1241573-1)

THIS DRAWING IS A CONTROLLED DOCUMENT.

DWN J. ZAJICEK 14APR2003

CHK -

APVD -

PRODUCT SPEC -

APPLICATION SPEC -

WEIGHT 0.037 kg

CUSTOMER DRAWING

DIMENSIONS:
mm



MATERIAL -

TOLERANCES UNLESS OTHERWISE SPECIFIED:

- 0 PLC ±
- 1 PLC ±
- 2 PLC ±
- 3 PLC ±
- 4 PLC ±
- ANGLES ±

FINISH -

STE TE Connectivity

NAME
EXTRACTION TOOL
Entriegelungswerkzeug

SIZE CAGE CODE DRAWING NO RESTRICTED TO

A3 00779 C-539971-1

SCALE 5:1 SHEET 1 OF 1 REV B