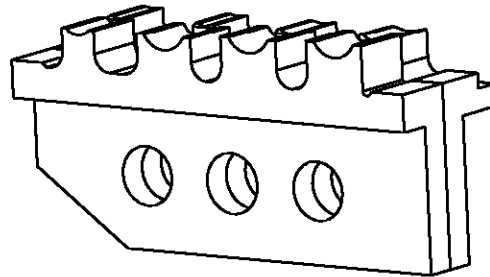
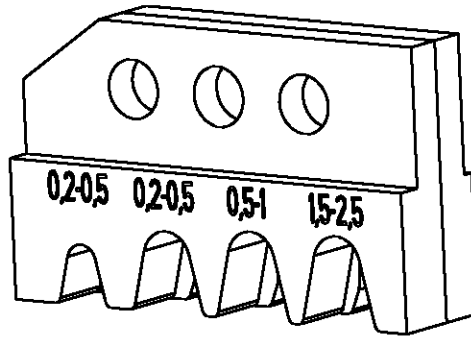


LOC	DIST	REVISIONS					
A1	-	P	LTR	DESCRIPTION	DATE	DWN	APVD
		A1		REVISED PER ECO-11-005150	28MAR11	RK	HMR

Kontakt Contact	DGB (mm ²) Wire Range	Drahtcrimp/Wirecrimp		Isocrimp	Iso.-∅ Ins. Range	Dichtung Seal	Betriebsanl. Instr. Sheet
		Hoehe/Height	Breite/Width	Breite/Width			
927776	0.2-0.5	1.03	1.58	2.30	1.0-1.6		411-18191
929931 / 929942	0.2-0.5	1.03	1.58	3.90	1.2-1.6	828904	
929930 / 929940	0.5-1.0	1.23	2.03	4.06	1.4-2.1	828904	
929929 / 929938	1.5-2.5	1.56	2.80	4.30	2.2-3.0	828905	



539737-2	1	1-539787-5	locator ass.	Positioniereinheit	A
	1	1-519151-3	screw M4x25	Schraube M4x25	A
	1	0-519151-9	screw M4x10	Schraube M4x10	A
	1	0-519024-2	hex nut M4	Mutter M4 DIN 985	A
	QTY Stck	PN	Description	Benennung	REV


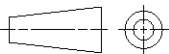
19

RELEASED FOR PUBLICATION

ALL RIGHTS RESERVED.

THIS DRAWING IS UNPUBLISHED.

BY
COPYRIGHT

DIMENSIONS: mm-DIN 7168-m		DWN M.Weberdoerfer 31MAY2000	MATERIAL -	FINISH -		
TOLERANCES UNLESS OTHERWISE SPECIFIED: 0 PLC ± 1 PLC ± 2 PLC ± 3 PLC ± 4 PLC ± ANGLES ±		CHK U.Reuter 31MAY2000	 TE Connectivity			
		APVD -				
		PRODUCT SPEC -	NAME ERGOCRIMP Die Set for Junior Power Timer (SWS)			
		APPLICATION SPEC -	SIZE A4	CAGE CODE 00779	DRAWING NO C=539737-2	
		WEIGHT -	RESTRICTED TO -			
		CUSTOMER DRAWING		SCALE 2:1	SHEET 1 OF 1	REV A1