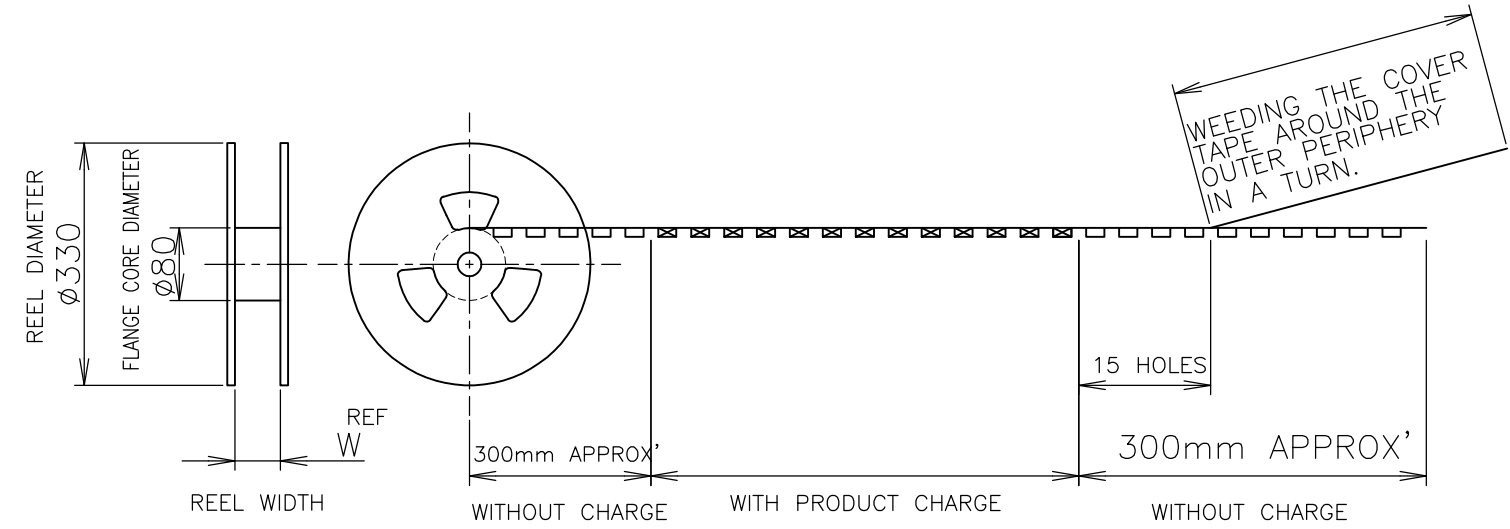
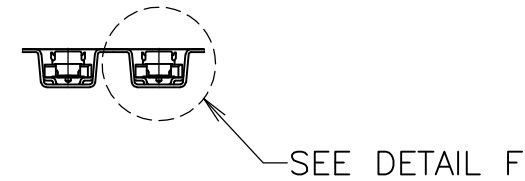
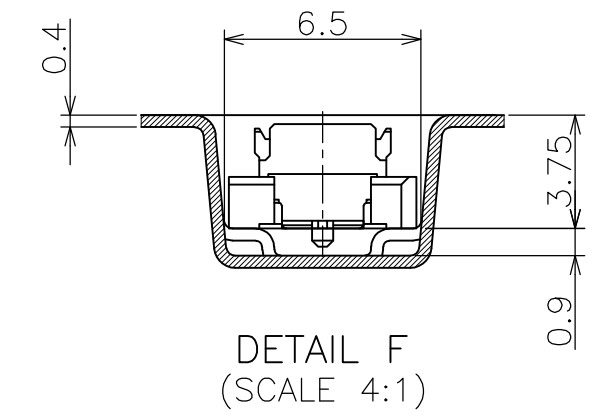
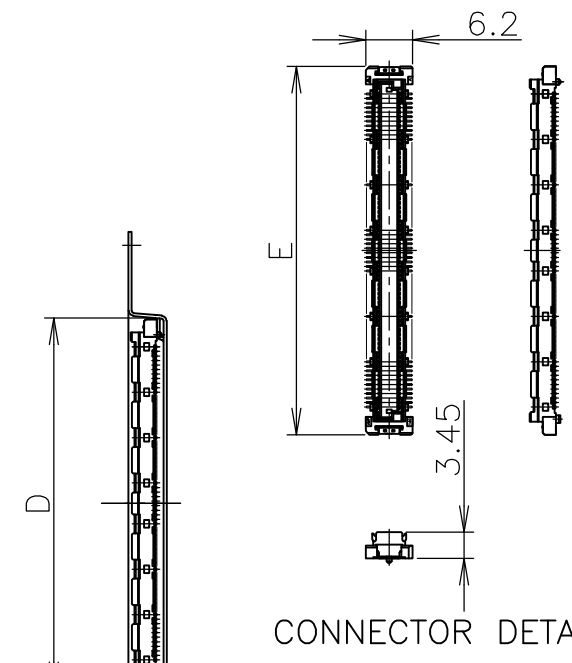
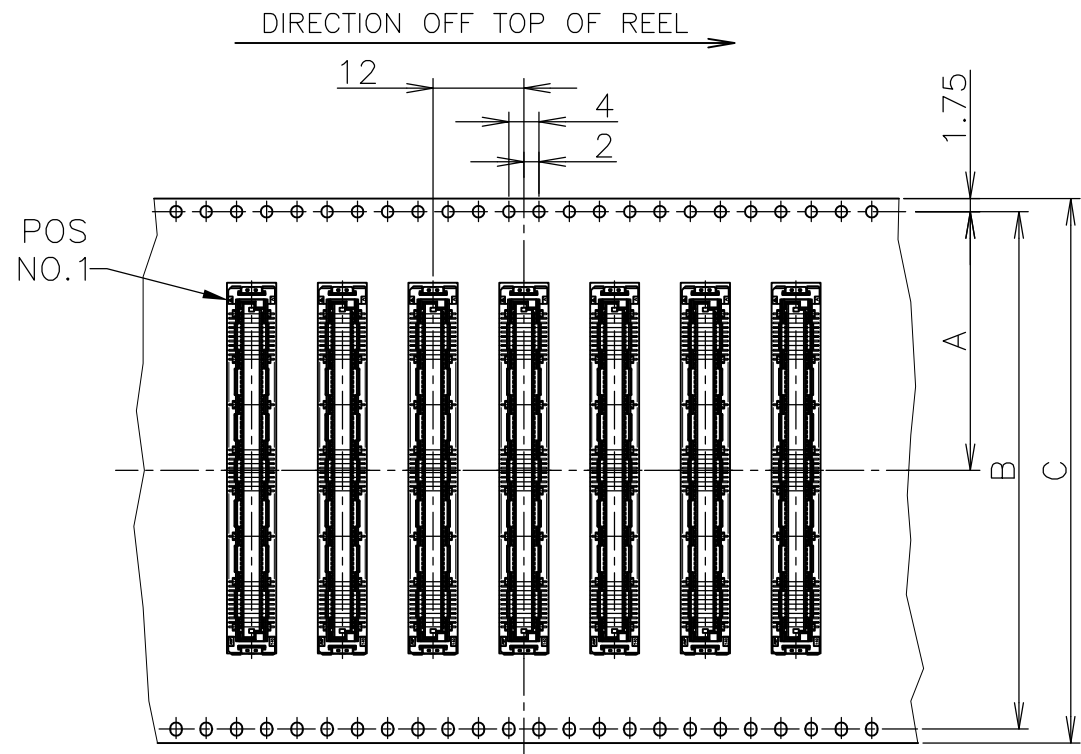


THIS DRAWING IS UNPUBLISHED. RELEASED FOR PUBLICATION JUN , 1996.  
 © COPYRIGHT 1996 By - ALL RIGHTS RESERVED.

LOC	DIST	REVISIONS					
J		P	LTR	DESCRIPTION	DATE	DWN	APVD
			B1	REVISED ECR-15-012060	14SEP2015	I.T	W.H
			C	REVISED PER ECO-17-002393	27MAY17	B.J	S.Y



WEEDING THE COVER TAPE AROUND THE OUTER PERIPHERY IN A TURN.

HOUSING COLOR	SEALANT	TOOLING STATUS	QTY.	W	E	D	C	B	A	POS.	PART NO.
BLACK	AVAILABLE	1000	77.5	48.7	49	72	68.4	34.2	140	8-5353183-0	
	NOT AVAILABLE		77.5	54.7	55	72	68.4	34.2	160	6-5353183-1	
	AVAILABLE		77.5	48.7	49	72	68.4	34.2	140	6- -0	
	NOT AVAILABLE		61.5	42.7	43	56	52.4	26.2	120	5- -9	
	AVAILABLE		61.5	36.7	37	56	52.4	26.2	100	5- -8	
	NOT AVAILABLE		61.5	33.7	34	56	52.4	26.2	90	5- -7	
	AVAILABLE		49.5	30.7	31	44	40.4	20.2	80	5- -6	
	NOT AVAILABLE		49.5	27.7	28	44	40.4	20.2	70	5- -5	
	AVAILABLE		49.5	24.7	25	44	40.4	20.2	60	5- -4	
	NOT AVAILABLE		37.5	21.7	22	32	28.4	14.2	50	5- -3	
NATURAL	AVAILABLE	1000	77.5	48.7	49	72	68.4	34.2	140	8-5353183-0	
	NOT AVAILABLE		77.5	54.7	55	72	68.4	34.2	160	6-5353183-1	
	AVAILABLE		77.5	48.7	49	72	68.4	34.2	140	6- -0	
	NOT AVAILABLE		61.5	42.7	43	56	52.4	26.2	120	5- -9	
	AVAILABLE		61.5	36.7	37	56	52.4	26.2	100	5- -8	
	NOT AVAILABLE		61.5	33.7	34	56	52.4	26.2	90	5- -7	
	AVAILABLE		49.5	30.7	31	44	40.4	20.2	80	5- -6	
	NOT AVAILABLE		49.5	27.7	28	44	40.4	20.2	70	5- -5	
	AVAILABLE		49.5	24.7	25	44	40.4	20.2	60	5- -4	
	NOT AVAILABLE		37.5	21.7	22	32	28.4	14.2	50	5- -3	
NON SEALANT	AVAILABLE	1000	77.5	48.7	49	72	68.4	34.2	140	8-5353183-0	
	NOT AVAILABLE		77.5	54.7	55	72	68.4	34.2	160	6-5353183-1	
	AVAILABLE		77.5	48.7	49	72	68.4	34.2	140	6- -0	
	NOT AVAILABLE		61.5	42.7	43	56	52.4	26.2	120	5- -9	
	AVAILABLE		61.5	36.7	37	56	52.4	26.2	100	5- -8	
	NOT AVAILABLE		61.5	33.7	34	56	52.4	26.2	90	5- -7	
	AVAILABLE		49.5	30.7	31	44	40.4	20.2	80	5- -6	
	NOT AVAILABLE		49.5	27.7	28	44	40.4	20.2	70	5- -5	
	AVAILABLE		49.5	24.7	25	44	40.4	20.2	60	5- -4	
	NOT AVAILABLE		37.5	21.7	22	32	28.4	14.2	50	5- -3	
BLACK	AVAILABLE	1000	77.5	48.7	49	72	68.4	34.2	140	8-5353183-0	
	NOT AVAILABLE		77.5	54.7	55	72	68.4	34.2	160	6-5353183-1	
NATURAL	AVAILABLE	1000	77.5	48.7	49	72	68.4	34.2	140	8-5353183-0	
	NOT AVAILABLE		77.5	54.7	55	72	68.4	34.2	160	6-5353183-1	
NON SEALANT	AVAILABLE	1000	77.5	48.7	49	72	68.4	34.2	140	8-5353183-0	
	NOT AVAILABLE		77.5	54.7	55	72	68.4	34.2	160	6-5353183-1	

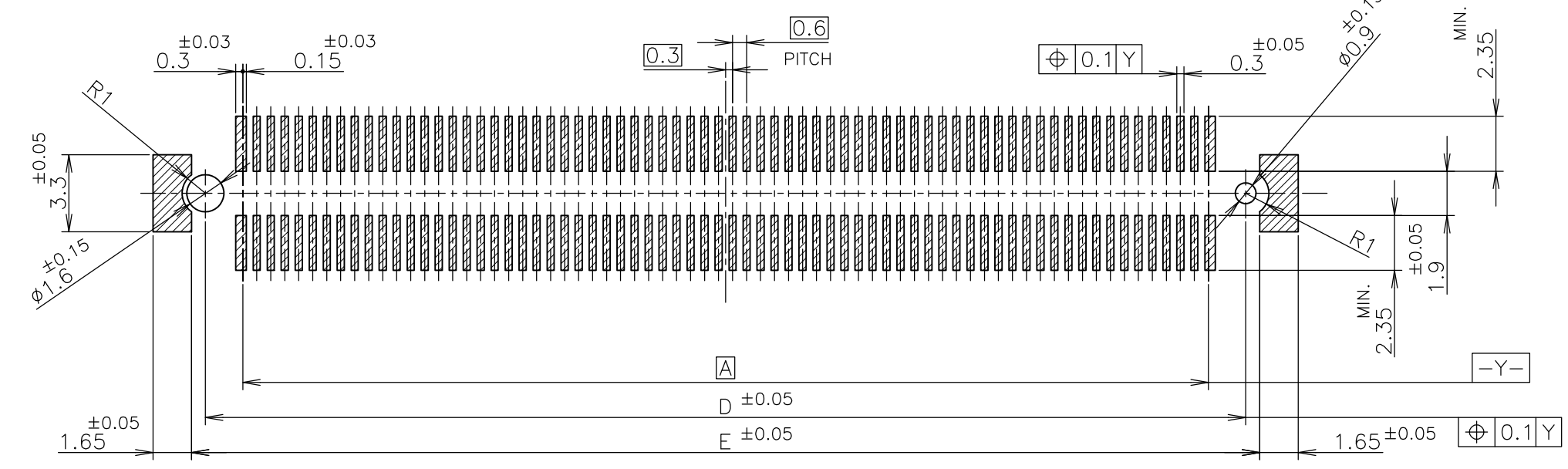
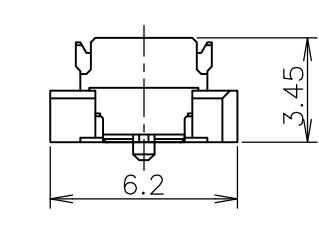
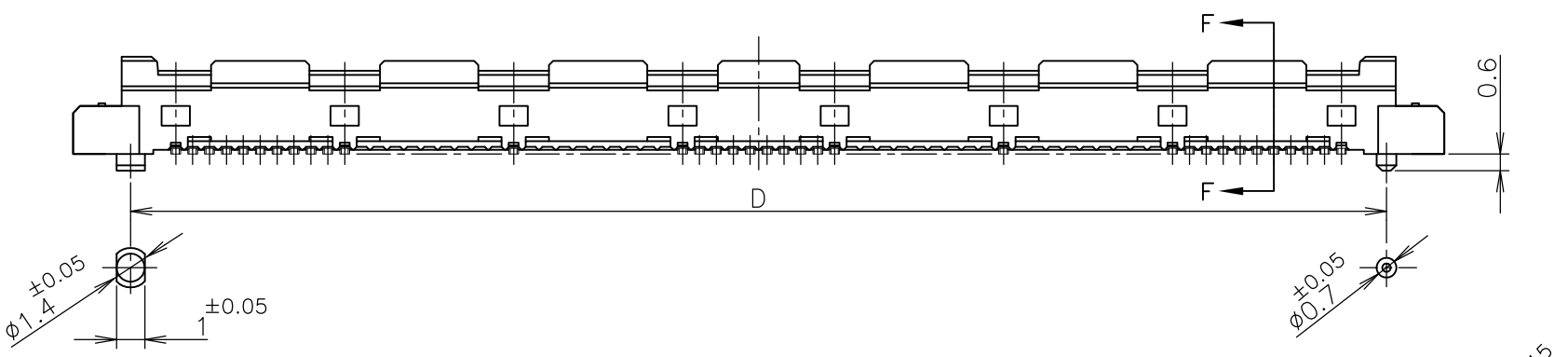
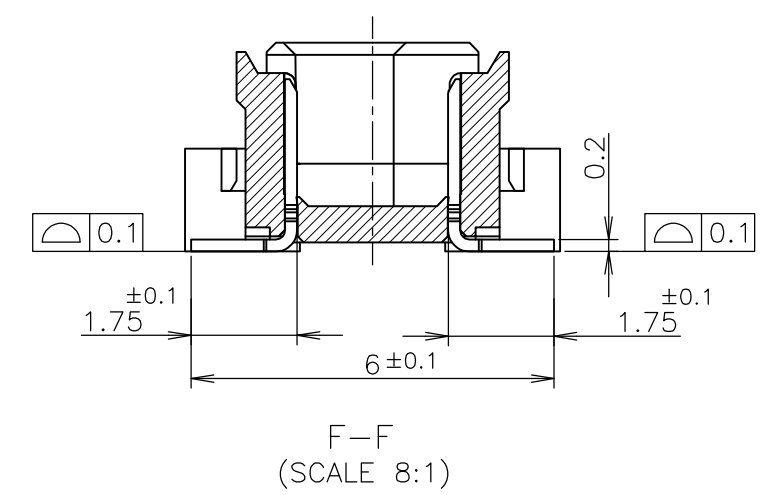
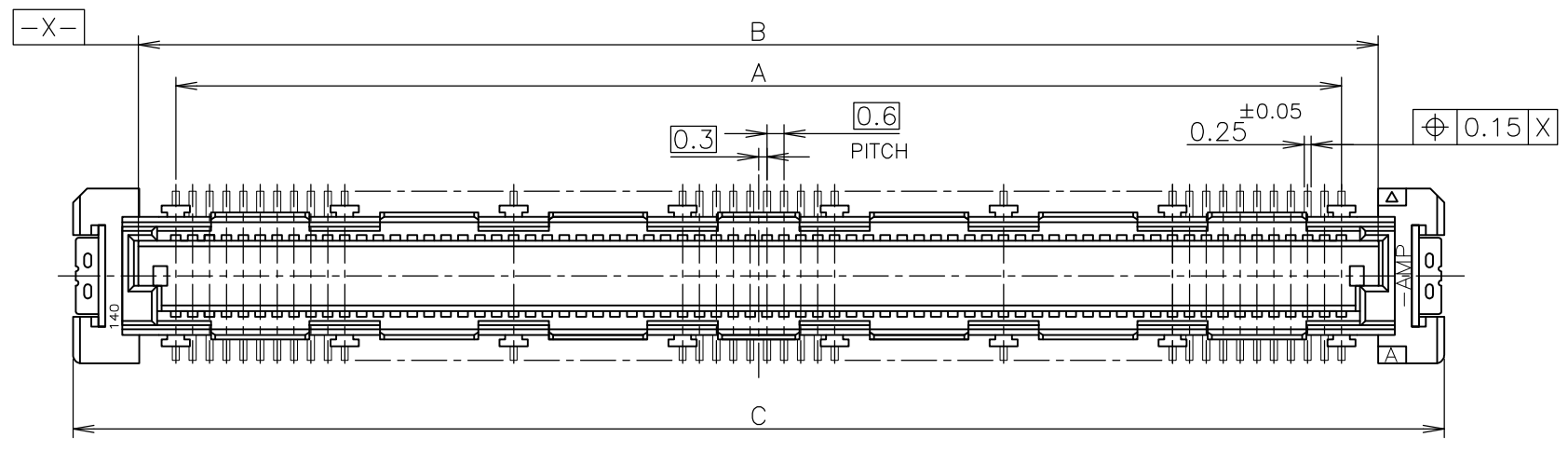
3 THIS PRODUCT WAS COATED BY FLUX-PENETRATION -INHIDITING AGENT.

THIS DRAWING IS A CONTROLLED DOCUMENT.

DIMENSIONS: 单位: 耗 mm	TOLERANCES UNLESS OTHERWISE SPECIFIED: 一般公差	DWN HAWKING HE 20DEC04	TE Connectivity EMOSS ASSY FH 0.6BTB CONNECTOR PLUG 4H STD TYPE
	0 PLC ± 0.2 1 PLC ± 0.2 2 PLC ± 0.2 3 PLC ± 0.2 4 PLC ± 0.2 ANGLES ± 5°	CHK STEVEN YAO 20DEC04	
		APVD I.ENOMOTO 20DEC04	
		PRODUCT SPEC 製品規格 108-60047	
MATERIAL 材料	FINISH 仕上	APPLICATION SPEC 取付適用規格 114-5255	NAME 名称
		WEIGHT	SIZE A3
CUSTOMER DRAWING		CAGE CODE 00779	
		DRAWING NO 番号 G-5353183	
		RESTRICTED TO	
		SCALE 尺度 1:1	
		SHEET 1 OF 2	
		REV C	

THIS DRAWING IS UNPUBLISHED. RELEASED FOR PUBLICATION JUN , 1996.  
 © COPYRIGHT 1996 By - ALL RIGHTS RESERVED.

LOC	DIST	REVISIONS		
		P	LTR	DESCRIPTION
J		-		SEE SHEET 1
				DATE
				DWN
				APVD



△ MATERIAL ; HOUSING : HIGH TEMP THERMO PLASTIC UL94V-0  
 CONTACT : COPPER ALLOY  
 △ FINISH ; UNDER PL Ni 0.0013mm MIN ALL OVER.  
 CONTACT AREA 0.0002 MIN Au PL.  
 SOLDERING AREA 0.001 MIN TIN PL.

REFERENCE P.C.BOARD LAYOUT

ACTIVE	AVAILABLE	51.8	50.6	54.7	50	47.4	160
ACTIVE	AVAILABLE	45.8	44.6	48.7	44	41.4	140
OBSOLETE	NOT AVAILABLE	39.8	38.6	42.7	38	35.4	120
ACTIVE	AVAILABLE	33.8	32.6	36.7	32	29.4	100
OBSOLETE	NOT AVAILABLE	30.8	29.6	33.7	29	26.4	90
OBSOLETE	NOT AVAILABLE	27.8	26.6	30.7	26	23.4	80
ACTIVE	AVAILABLE	24.8	23.6	27.7	23	20.4	70
ACTIVE	AVAILABLE	21.8	20.6	24.7	20	17.4	60
ACTIVE	AVAILABLE	18.8	17.6	21.7	17	14.4	50
OBSOLETE	NOT AVAILABLE	15.8	14.6	18.7	14	11.4	40
OBSOLETE	NOT AVAILABLE	12.8	11.6	15.7	11	8.4	30
STATUS	TOOLING STATUS	E	D	C	B	A	POS

THIS DRAWING IS A CONTROLLED DOCUMENT.		DWN	TE Connectivity		
DIMENSIONS: 單位: 耗 mm		CHK			
TOLERANCES UNLESS OTHERWISE SPECIFIED: 一般公差		APVD			
0 PLC ± 0.3 1 PLC ± 0.3 2 PLC ± 0.3 3 PLC ± 0.3 4 PLC ± 0.3 ANGLES ± 3°		NAME 名称			
MATERIAL 材料		WEIGHT	EMBOSS ASSY		
FINISH 仕上		CUSTOMER DRAWING	FH 0.6BTB CONNECTOR		
△ 1			PLUG 4H STD TYPE		
△ 2			SIZE	CAGE CODE	DRAWING NO 番号
			A3	00779	G-5353183
			RESTRICTED TO	SCALE 尺度	SHEET
				4:1	2 OF 2
				REV	C