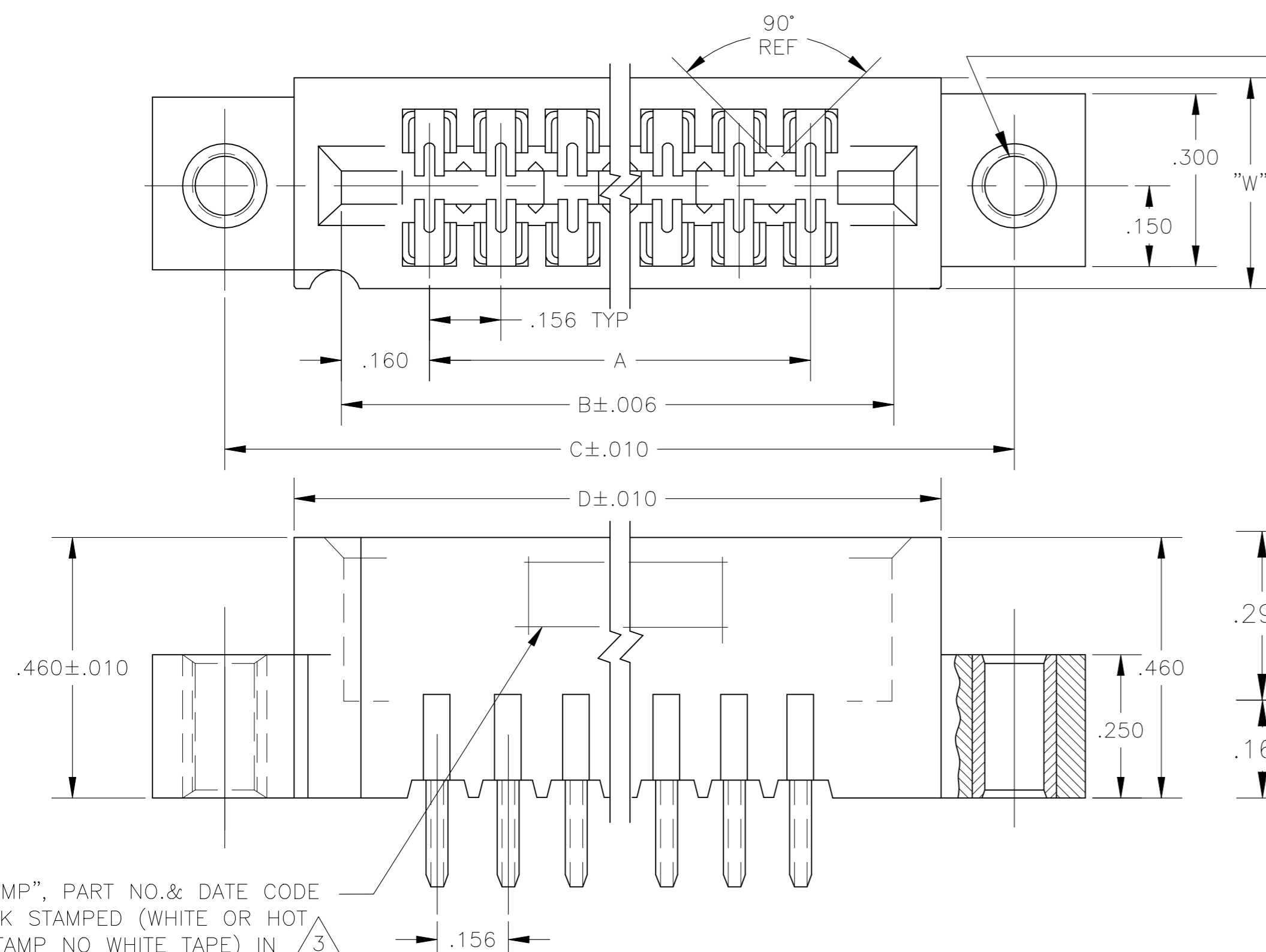
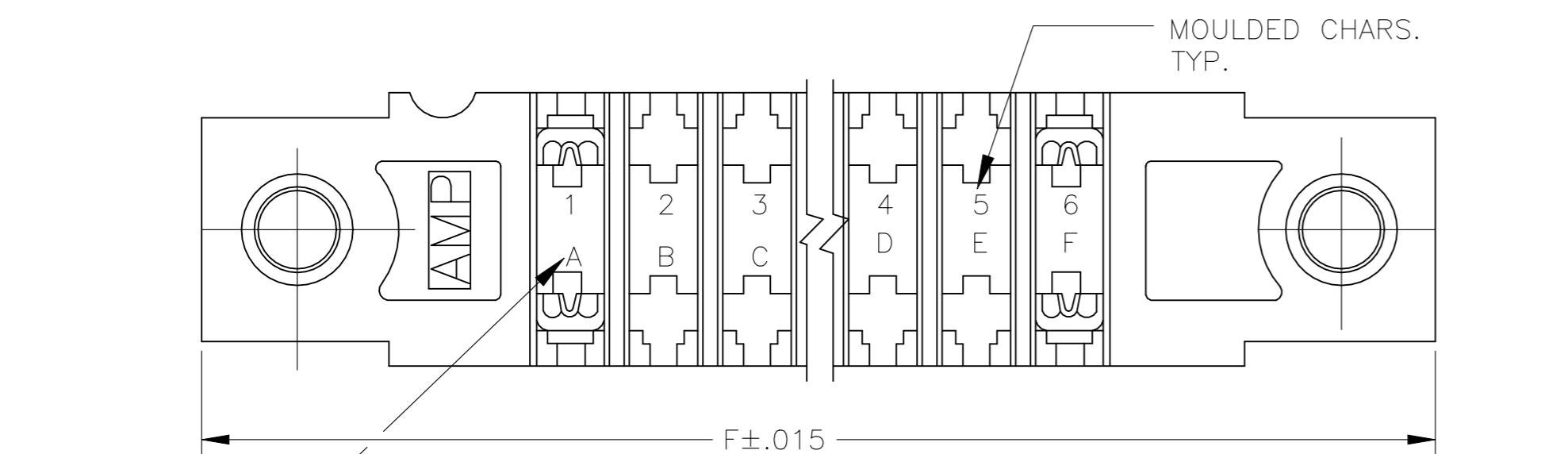


REVISIONS					
P	LTR	DESCRIPTION	DATE	DWN	APVD
K1		REVISED PER ECN-23-239013	29JAN2024	RK	MF

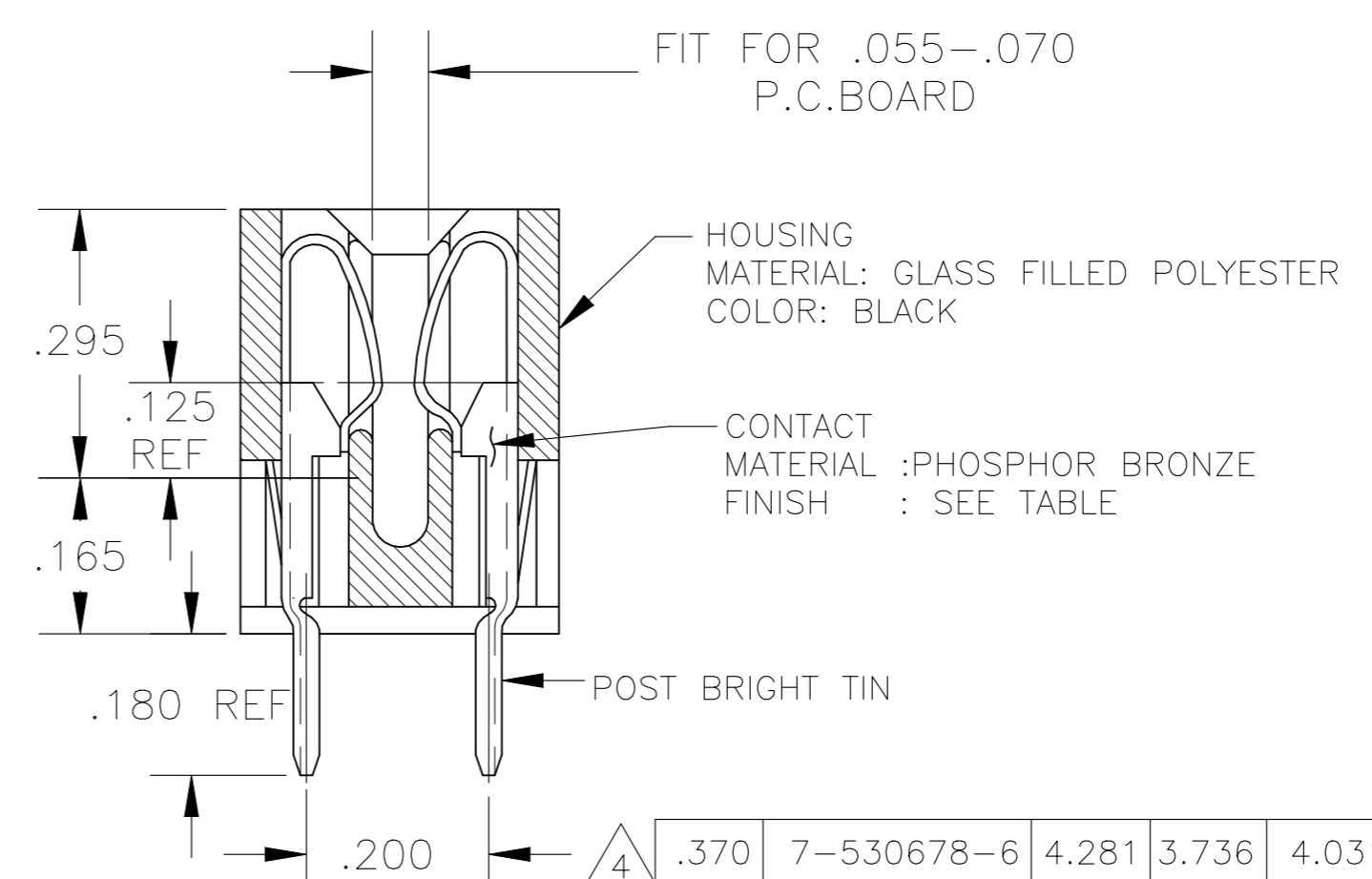


THREADED INSERT
MATERIAL: BRASS
4-40 NC-2B
2 REQ'D

- 1 .000015 MIN. GOLD OVER .000050 MIN. NICKEL IN CONTACT AREA
- 2 .000030 MIN. GOLD OVER .000050 MIN. NICKEL IN CONTACT AREA
- 3 ALL PARTS ASSEMBLED IN MEXICO MUST BE STAMPED "ASSY IN MEXICO" THE WORD "MEXICO" CAN BE SUBSTITUTED ONLY WHERE PART SIZE PROHIBITS STAMPING "ASSY IN MEXICO" INK STAMP COLOR WHITE OR HOT STAMP (NO WHITE TAPE) 115-9009, APPROX. WHERE SHOWN, SIDE OPTIONAL.
- 4 MATTE TIN PLATED CONTACT TAILS



MOULDED CHARACTERS UPPER AND LOWER CASE LETTERS OMITTING LETTERS G, I, O & Q



W	PART NO.	F	D	C	B	A	NO OF POSN.	PART NO.
.370	7-530678-6	4.281	3.736	4.031	3.596	3.276	22	-
.370	3-530678-3	7.755	7.012	7.307	3.285	6.552	43	1-530678-3
.437	3-530678-2	5.217	4.672	4.967	6.872	4.212	28	1-530678-2
.437	3-530678-1	7.713	7.168	7.463	4.532	6.028	44	1-530678-1
.437	3-530678-0	6.465	5.920	6.215	7.028	5.460	36	1-530678-0
.370	2-530678-9	5.529	4.984	5.279	5.780	4.524	30	530678-9
.370	2-530678-8	4.749	4.204	4.499	4.844	3.744	25	530678-8
.370	2-530678-7	4.593	4.048	4.343	4.064	3.588	24	530678-7
.370	2-530678-6	4.281	3.736	4.031	3.596	3.276	22	530678-6
.370	2-530678-5	3.657	3.112	3.407	2.972	2.652	18	530678-5
.370	2-530678-4	3.189	2.644	2.939	2.504	2.184	15	530678-4
.370	2-530678-3	2.721	2.176	2.471	2.036	1.716	12	530678-3
.370	2-530678-2	2.409	1.864	2.159	1.724	1.404	10	530678-2
.370	2-530678-1	1.785	1.240	1.535	1.100	.780	6	530678-1

OBSOLETE

THIS DRAWING IS A CONTROLLED DOCUMENT.

DWN	15JUL75	 TE Connectivity	HSG ASSY, LP EDGE CONN, FLOW SOLDER POST FOR .052 DIA. HOLE, .156 X .200 CENTERS
CHK	15JUL75		
APVD	16JUL75		
DIMENSIONS: INCHES		TOLERANCES UNLESS OTHERWISE SPECIFIED:	NAME
0 PLC ± - 1 PLC ± - 2 PLC ± - 3 PLC ± - 4 PLC ± - ANGLES ± -		FINISH	PRODUCT SPEC APPLICATION SPEC
MATERIAL		WEIGHT	SIZE CAGE CODE DRAWING NO RESTRICTED TO
CUSTOMER DRAWING		SCALE 5:1 SHEET 1 OF 1 REV K1	A2 - C=530678