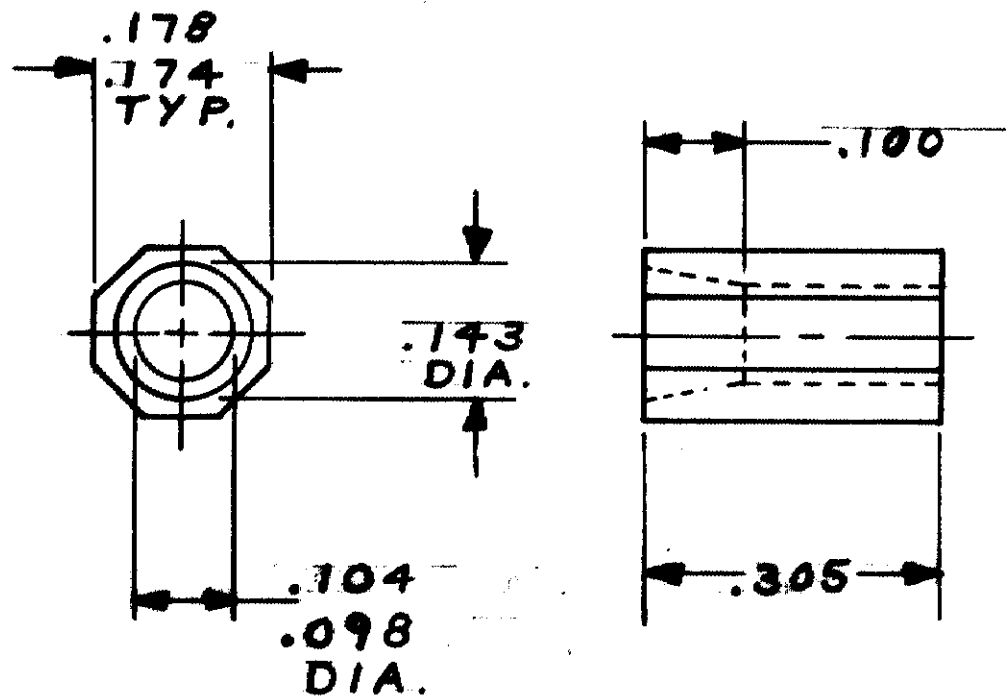


REVISIONS		
DESCRIPTION	DATE	APPROVED
P F LTR		
0		

THIS DRAWING IS UNPUBLISHED. RELEASED FOR PUBLICATION
 BY AMP INCORPORATED, HARRISBURG, PA. ALL INTERNATIONAL RIGHTS RESERVED. AMP PRODUCTS MAY BE COVERED BY U.S. AND FOREIGN PATENTS AND/OR PATENTS PENDING.

530346-1 I.A.S SHOWN



UNLESS OTHERWISE SPECIFIED DIMENSIONS ARE IN INCHES. TOLERANCES ON: DECIMALS $\pm .010$ ANGLES \pm

MATERIAL
STAINLESS STEEL

FINISH
PASSIVATED

CONTRACT NO
M. Smith 11-30-83

CHK
E. A. McDougle 11-30-83

APPD
E. A. McDougle 11-30-83

APPD
D. J. Hall 12-6-83

DSGN APPD

OTHER APPD

AMP | AMP INCORPORATED
Harrisburg, Pa. 17105

NAME **GUIDE INSERT, BOX CONNECTOR.**

SIZE **A** FSCM NO **00779** DRAWING NO **530346**

SCALE SHEET

PART NO