

THIS DRAWING IS UNPUBLISHED.

RELEASED FOR PUBLICATION

ALL RIGHTS RESERVED.

© COPYRIGHT - By -

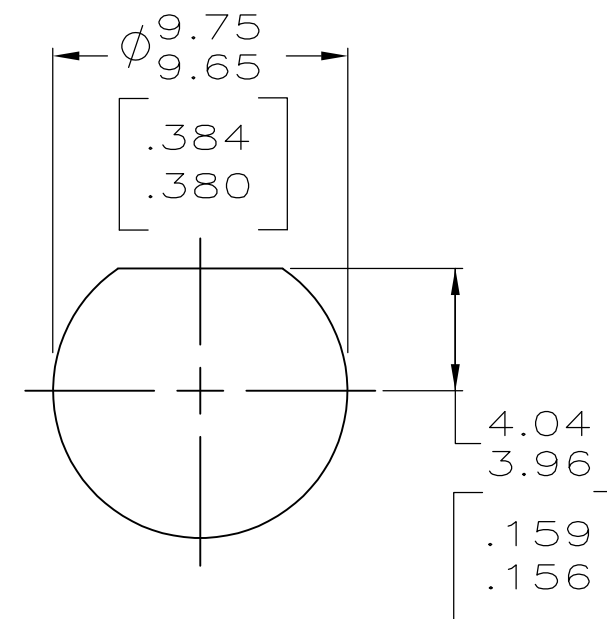
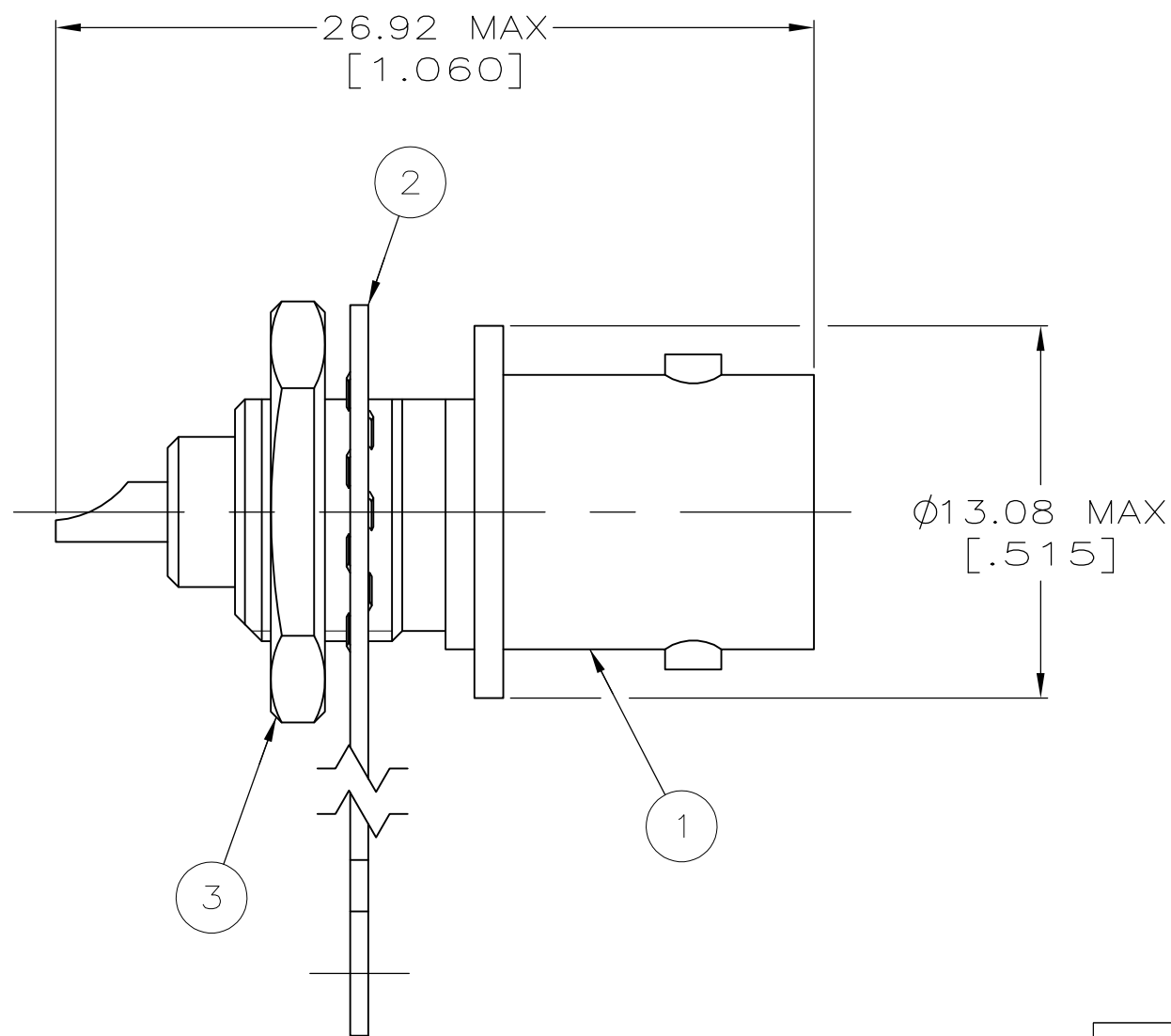
LOC
AJ

DIST
16

REVISIONS

P	LTR	DESCRIPTION	DATE	DWN	APVD
A1		REVISED PER ECO-11-005030	11MAR11	RK	HMR

1. 3.175 [.125] MAX PANEL THICKNESS.



RECOMMENDED PANEL CUTOUT

1-330249-1	9-227260-0	227756-3	5227755-3
1-330249-1	9-227260-0	227756-2	5227755-2
1-330249-1	9-227260-0	227756-1	5227755-1
③ JAM NUT QTY=1	② LOCKWASHER, TERMINAL QTY=1	① JACK ASSY QTY=1	PART NUMBER

THIS DRAWING IS A CONTROLLED DOCUMENT.		DWN L. VARELA - DOCK5 21APR2005	STE TE Connectivity	
DIMENSIONS: mm [INCHES]		CHK J. HAVENER 21APR2005		
TOLERANCES UNLESS OTHERWISE SPECIFIED:		APVD J. LIPPERT 21APR2005	NAME SOLDER JACK, 50 OHM, SERIES BNC	
0 PLC ± - 1 PLC ± - 2 PLC ± - 3 PLC ± - 4 PLC ± - ANGLES ± -		PRODUCT SPEC 108-12079	RESTRICTED TO	
MATERIAL -		FINISH -	SIZE A3	CAGE CODE 00779
		WEIGHT -	DRAWING NO C-5227755	RESTRICTED TO -
CUSTOMER DRAWING			SCALE 4:1	SHEET 1 OF 1
			REV A1	