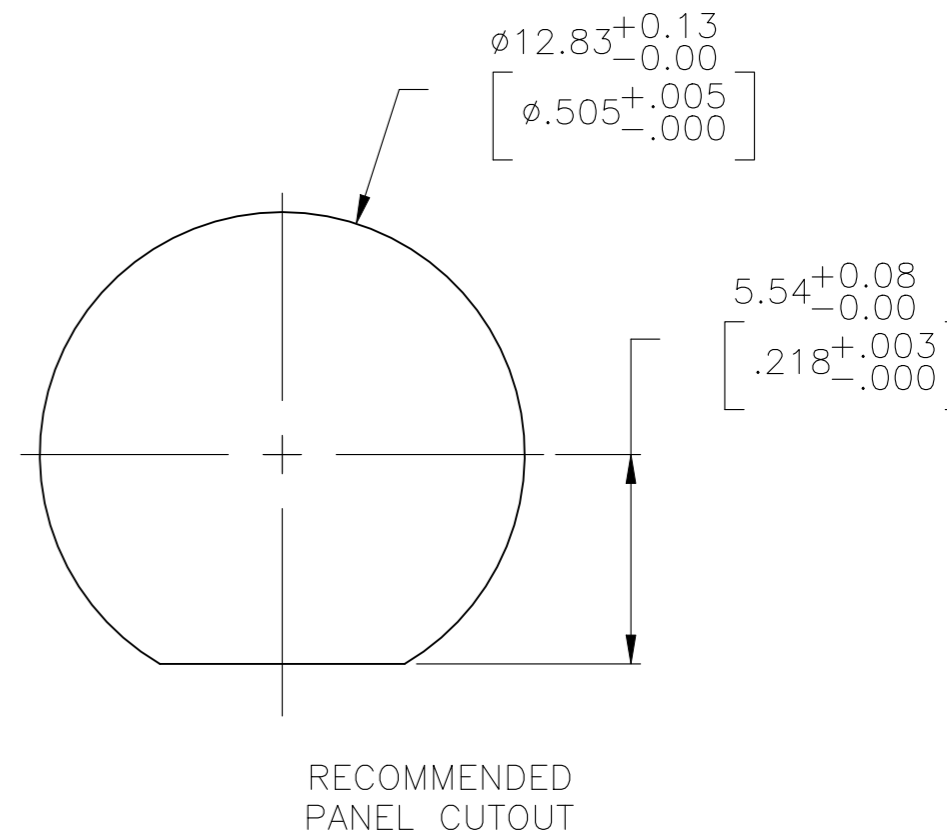
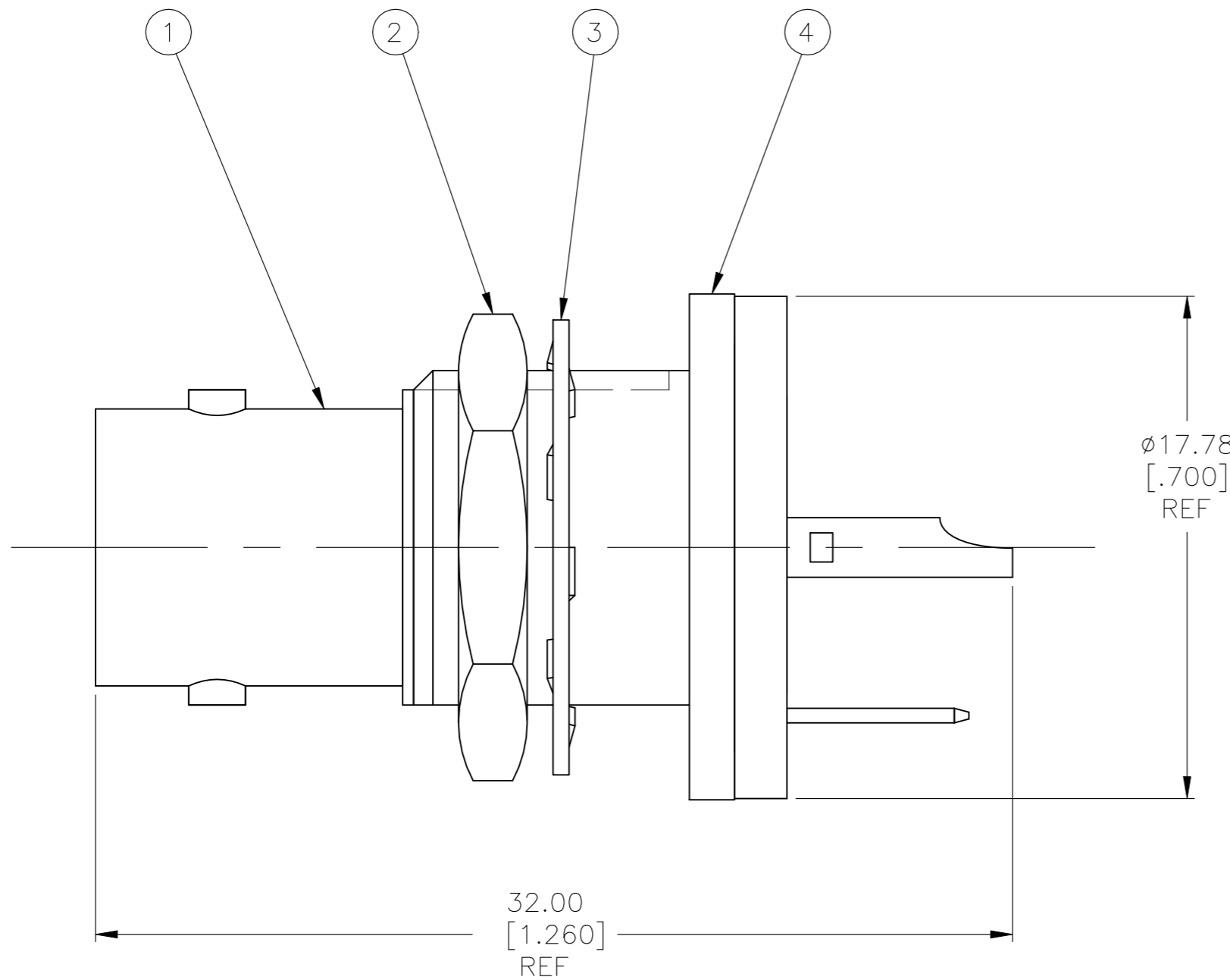


REVISIONS

P	LTR	DESCRIPTION	DATE	DWN	APVD
	A1	REVISED PER ECN-21-122181	26OCT2021	RZ	WK

1. PANEL THICKNESS: 6.35 [.250] MAX.



1	GASKET	227431-1	4
1	LOCKWASHER	1-329632-2	3
1	JAM NUT	1-329631-2	2
1	SOLDER RECPT.	227427-1	1
-1 QTY	DESCRIPTION	PART NUMBER	ITEM

THIS DRAWING IS A CONTROLLED DOCUMENT.		DWN J. HAVENER 12OCT2005	STE TE Connectivity	
DIMENSIONS: mm [INCHES]		CHK J. HAVENER 12OCT2005		
TOLERANCES UNLESS OTHERWISE SPECIFIED:		APVD J. LIPPERT 12OCT2005	NAME SOLDER RECEPTACLE, SEALED, JACK, SERIES BNC	
0 PLC ± -		PRODUCT SPEC	SIZE	
1 PLC ± -		APPLICATION SPEC	CAGE CODE	DRAWING NO
2 PLC ± -		—	—	RESTRICTED TO
3 PLC ± -		—	—	—
4 PLC ± -		—	—	—
ANGLES ± -		WEIGHT	A3 00779 C-5227426	
FINISH		0.000000	SCALE 5:1 SHEET 1 OF 1 REV A1	
MATERIAL		—	CUSTOMER DRAWING	