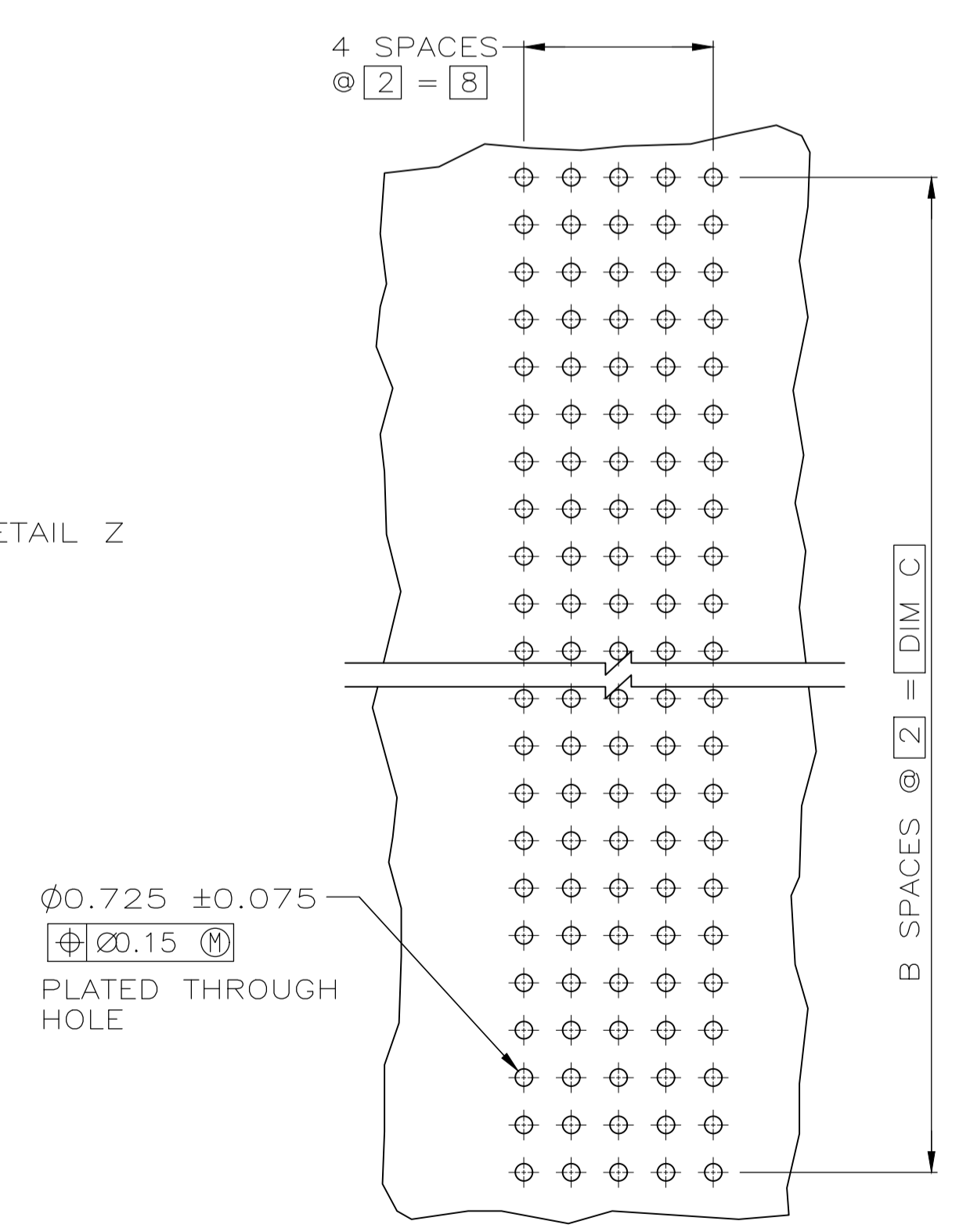
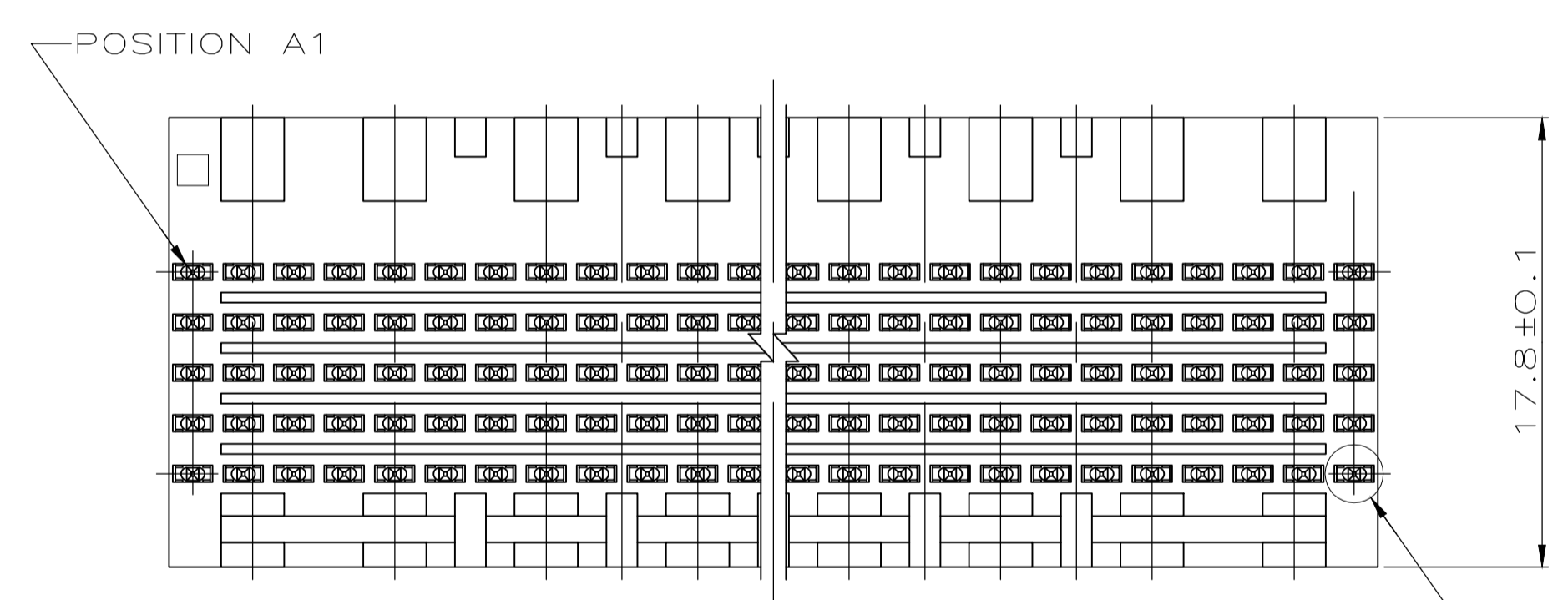
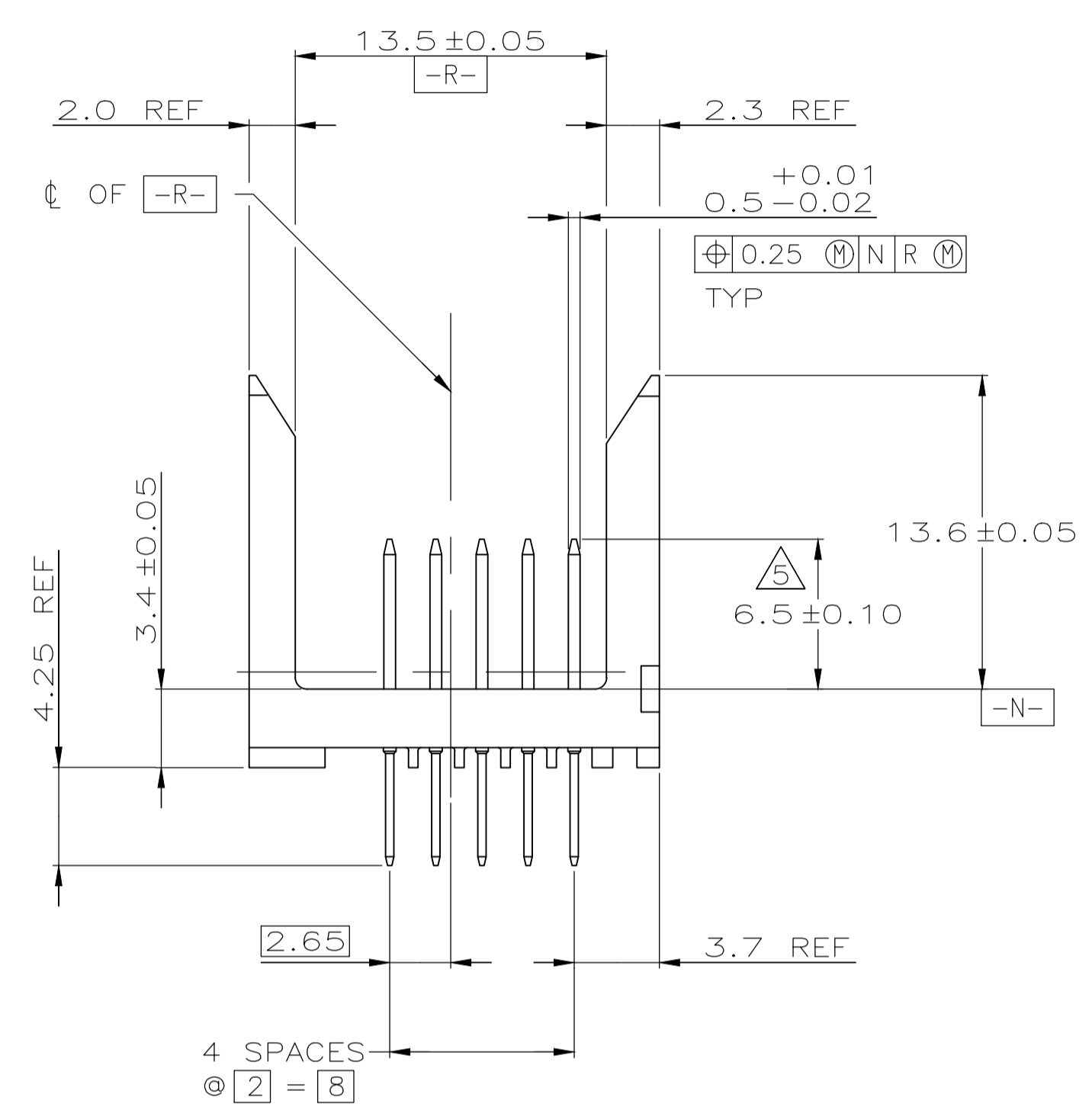
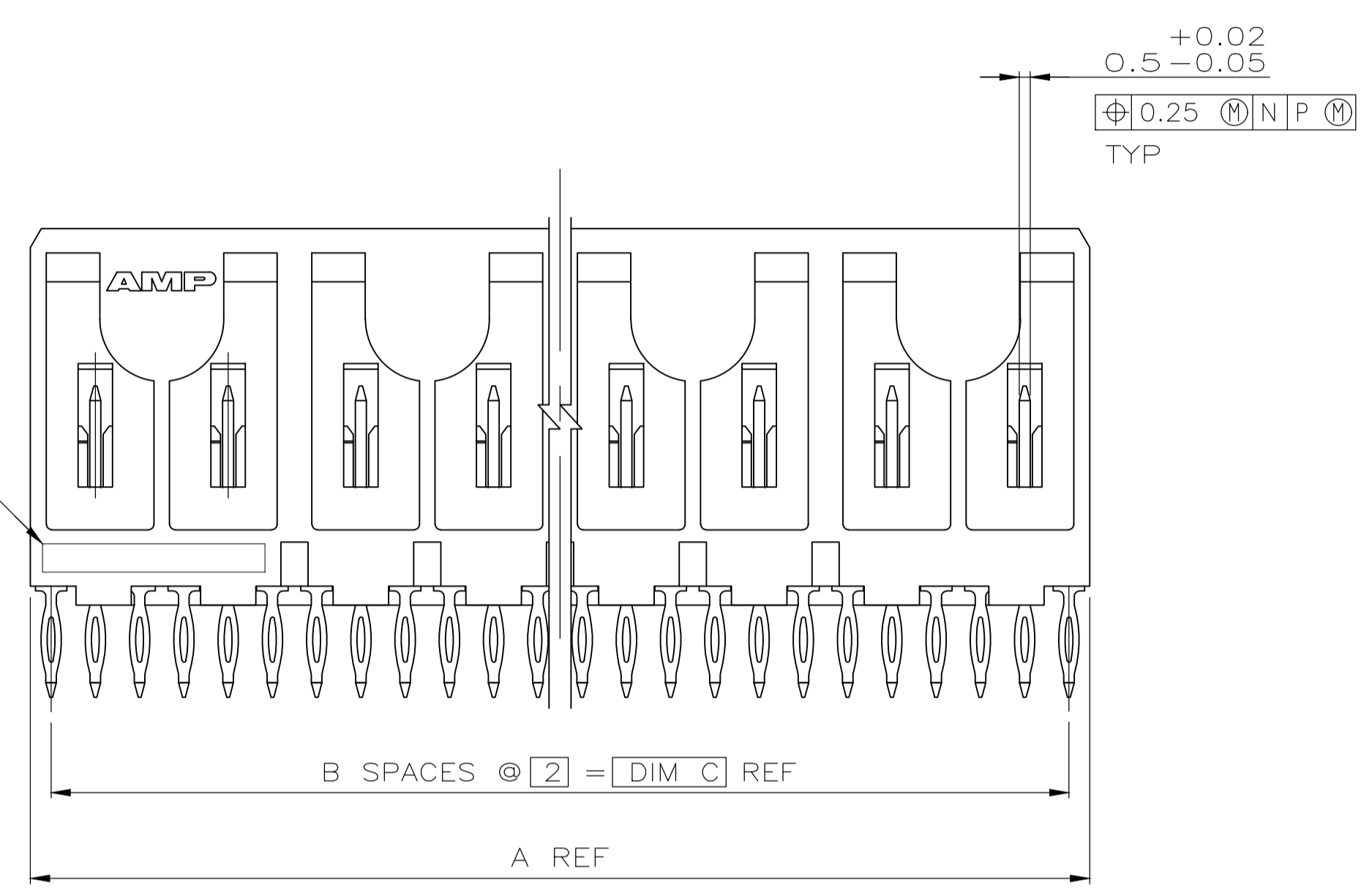
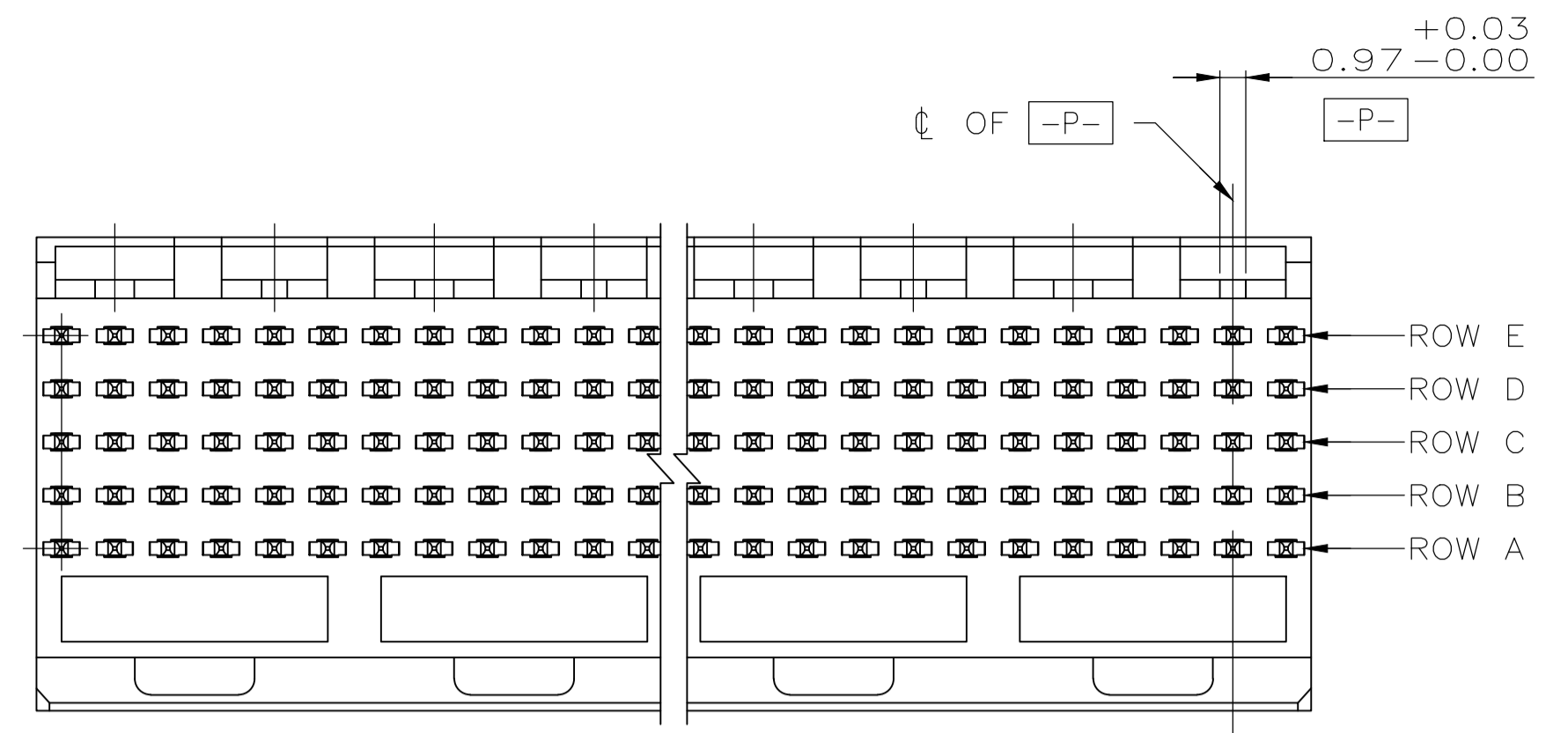
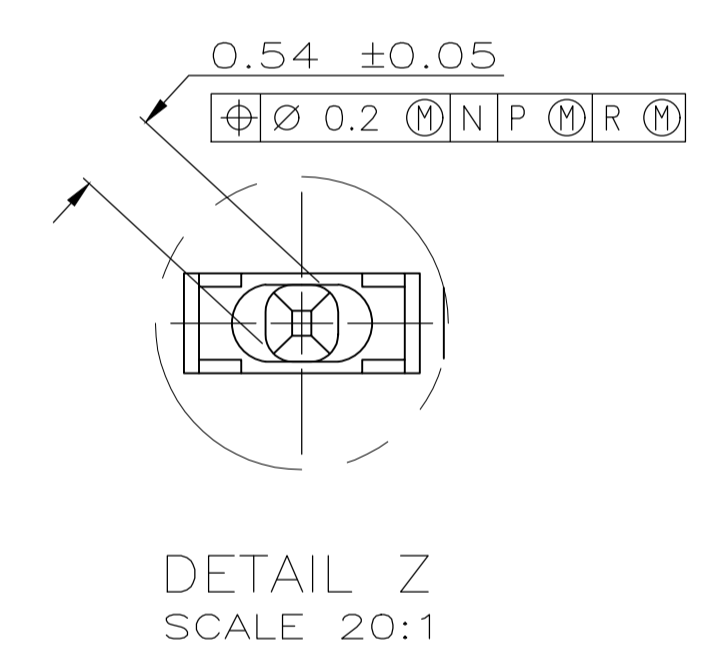


REVISIONS				
P	LTR	DESCRIPTION	DATE	APP'D
B		REVISED PER ECO-20-013368	22SEP2020	RZ HL



RECOMMENDED CIRCUIT PATTERN (COMPONENT SIDE)

- 1 HOUSING MATERIAL: LIQUID CRYSTAL POLYMER
COLOR: NATURAL.
- 2 CONTACT MATERIAL: PHOSPHOR BRONZE
- 3 CONTACT FINISH:(B)
UNDERPLATE (ENTIRE CONTACT):
0.00127 MIN NICKEL PER SAE-AMS-QQ-N-290
ON MATING SURFACES:
CONFORMS TO ALL TESTING SPECIFIED FOR TELCORDIA UNCONTROLLED ENVIRONMENT.
ON LEADS:
0.0006 MIN MATTE TIN PER ASTM B 545 OVER UNDERPLATE.
LUBRICATION (MIN MATING SURFACES):
SURFACE CONDITIONER AFTER PLATING.
- 4 PART MARKING LOCATED APPROXIMATELY AS SHOWN.
- 5 DIMENSION APPLIES WHEN SEATED ON PRINTED CIRCUIT BOARD.
- 6 OBSOLETE PARTS: OBSOLETE CIS STREAMLINING PER D.RENAUD/D.SINISI



OBSOLETE	130	65	131.88	330	-1-5223002-1
	118	59	119.88	300	-1-5223002-0
	106	53	107.88	270	-5223002-9
	94	47	95.88	240	5223002-8
	82	41	83.88	210	5223002-7
OBSOLETE	70	35	71.88	180	5223002-6
	58	29	59.88	150	5223002-5
	46	23	47.88	120	5223002-4
	34	17	35.88	90	5223002-3
	22	11	23.88	60	5223002-2
	10	5	11.88	30	5223002-1
C	B	A	NO OF SIGNAL POSN	PART NUMBER	

THIS DRAWING IS A CONTROLLED DOCUMENT.

DIN B MCMMASTER 19NOV04
CIK R WERTZ 19NOV04
APVD R WERTZ 19NOV04

TE Connectivity

ASSEMBLY, PIN, SIGNAL, VERTICAL, Z-PACK 2mm FB, 5 ROW, PRESS FIT LEADS

SIZE: A1 CAGE CODE: 00779 DRAWING NO: 5223002

WEIGHT: 0.000000

CUSTOMER DRAWING SCALE: 4:1 SHEET: 1 OF 1 REV: B