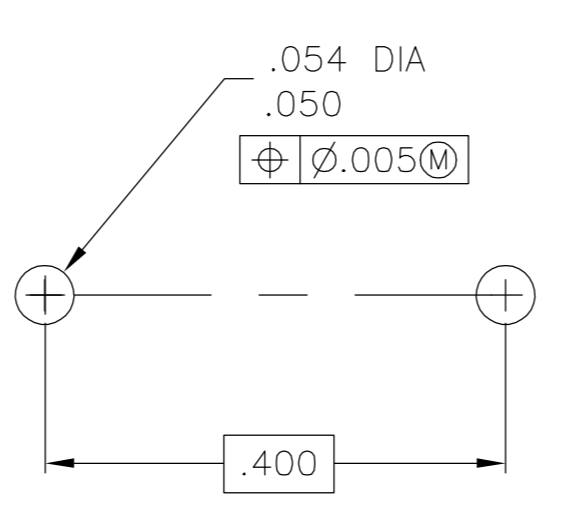
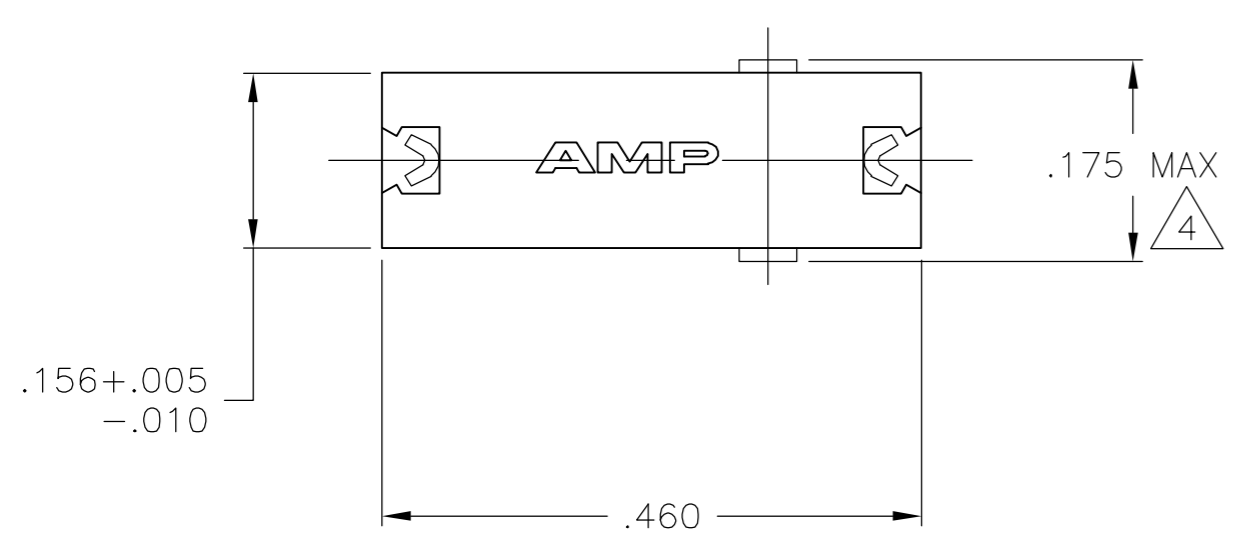
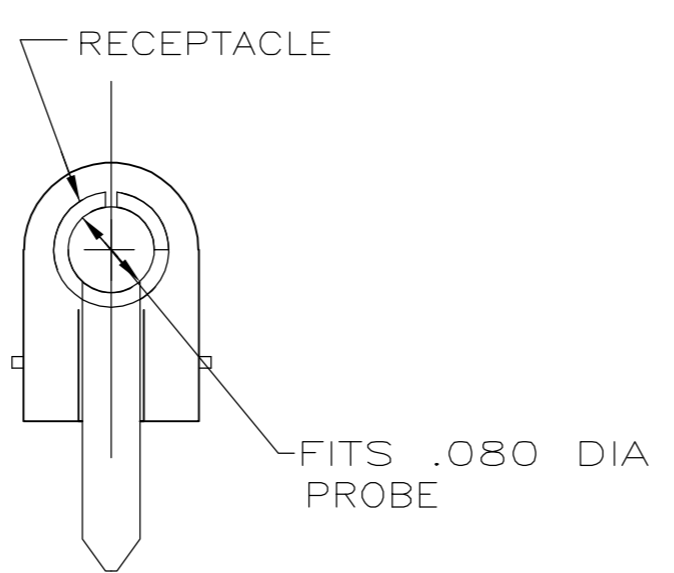
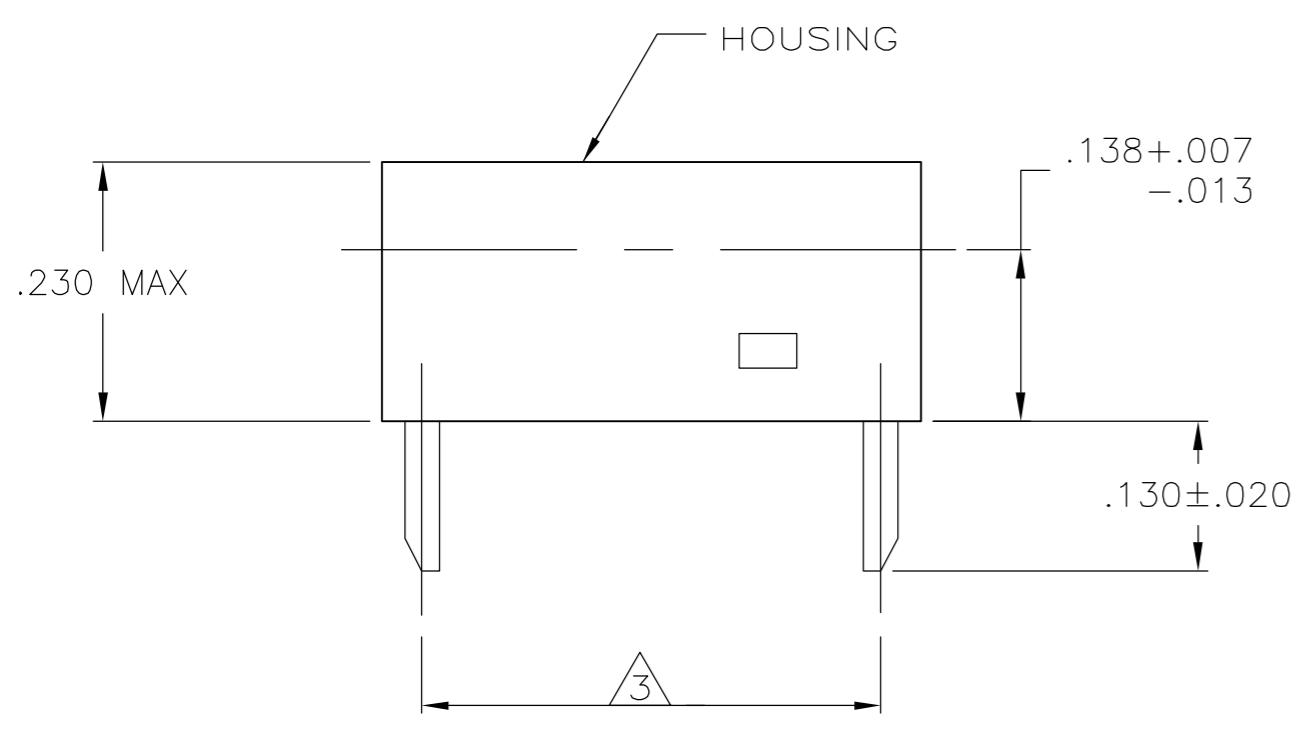


THIS DRAWING IS UNPUBLISHED. RELEASED FOR PUBLICATION
 © COPYRIGHT BY TYCO ELECTRONICS CORPORATION. ALL RIGHTS RESERVED.

LOC	DIST	REVISIONS			
P	LTR	DESCRIPTION	DATE	DWN	APVD
AF	50	A	DRAWN	21JUL05	JR EH



RECOMMENDED MOUNTING HOLE PATTERN

- 1 OPERATION TEMPERATURE IS 105° C MAX.
 - 2 RETENTION FORCE - 16 OUNCES MIN INITIALLY. 6 OUNCES MIN AFTER 500 CYCLES.
 - 3 REFER TO MOUNTING HOLE PATTERN.
- 4 .175 MAX TO BE MEASURED ACROSS THE CUT-OFF TABS.

NYLON 6/6; WHITE	BRASS - TIN/NICKEL	1-521799-9
NYLON 6/6; GREEN	BRASS - TIN/NICKEL	1-521799-5
NYLON 6/6; YELLOW	BRASS - TIN/NICKEL	1-521799-4
NYLON 6/6; RED	BRASS - TIN/NICKEL	1-521799-2
NYLON 6/6; BLACK	BRASS - TIN/NICKEL	1-521799-0
HOUSING - MATERIAL; COLOR	RECEPTACLE - MATERIAL; FINISH	PART NUMBER

THIS DRAWING IS A CONTROLLED DOCUMENT.		DWN	JR RUTH	15JUL05	 Tyco Electronics Corporation Harrisburg, Pa 17105-3608																					
DIMENSIONS: $\frac{mm}{[INCHES]}$		CHK	E. HOWARD	21JUL05																						
TOLERANCES UNLESS OTHERWISE SPECIFIED:		APVD	E. HOWARD	21JUL05																						
<table border="1"> <tr><td>0 PLC</td><td>±</td><td>-</td></tr> <tr><td>1 PLC</td><td>±</td><td>-</td></tr> <tr><td>2 PLC</td><td>±</td><td>.015</td></tr> <tr><td>3 PLC</td><td>±</td><td>-</td></tr> <tr><td>4 PLC</td><td>±</td><td>-</td></tr> <tr><td>ANGLES</td><td>±</td><td>-</td></tr> <tr><td>FINISH</td><td></td><td></td></tr> </table>		0 PLC	±	-		1 PLC	±	-	2 PLC	±	.015	3 PLC	±	-	4 PLC	±	-	ANGLES	±	-	FINISH			PRODUCT SPEC	NAME	
0 PLC	±	-																								
1 PLC	±	-																								
2 PLC	±	.015																								
3 PLC	±	-																								
4 PLC	±	-																								
ANGLES	±	-																								
FINISH																										
MATERIAL	SEE TABLE	WEIGHT	-		SIZE	A2	CAGE CODE	00779	DRAWING NO	C=521799	RESTRICTED TO	-														
CUSTOMER DRAWING		SCALE	6:1		SHEET	1 OF 1		REV	A																	