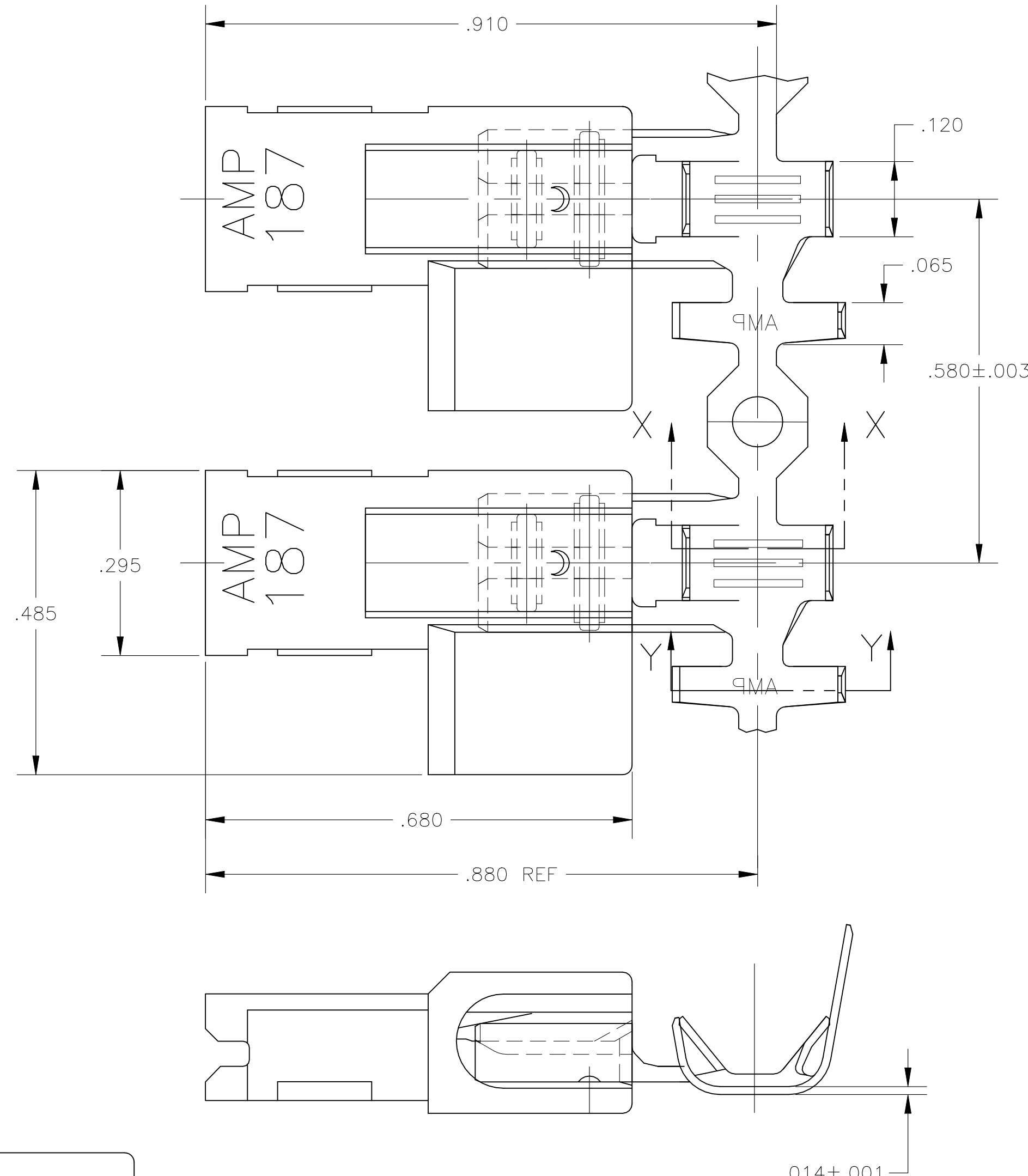
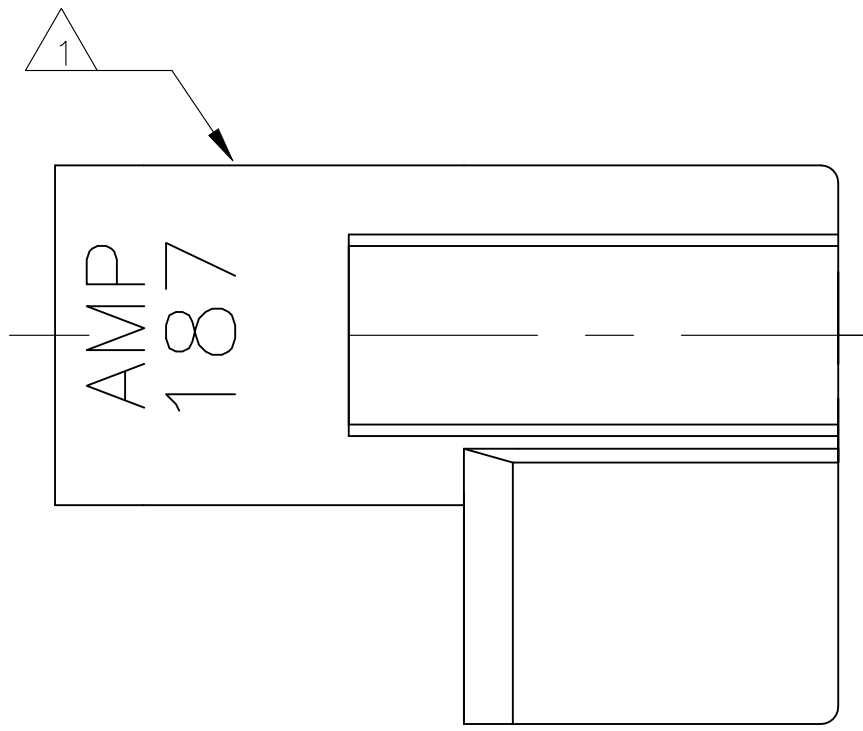
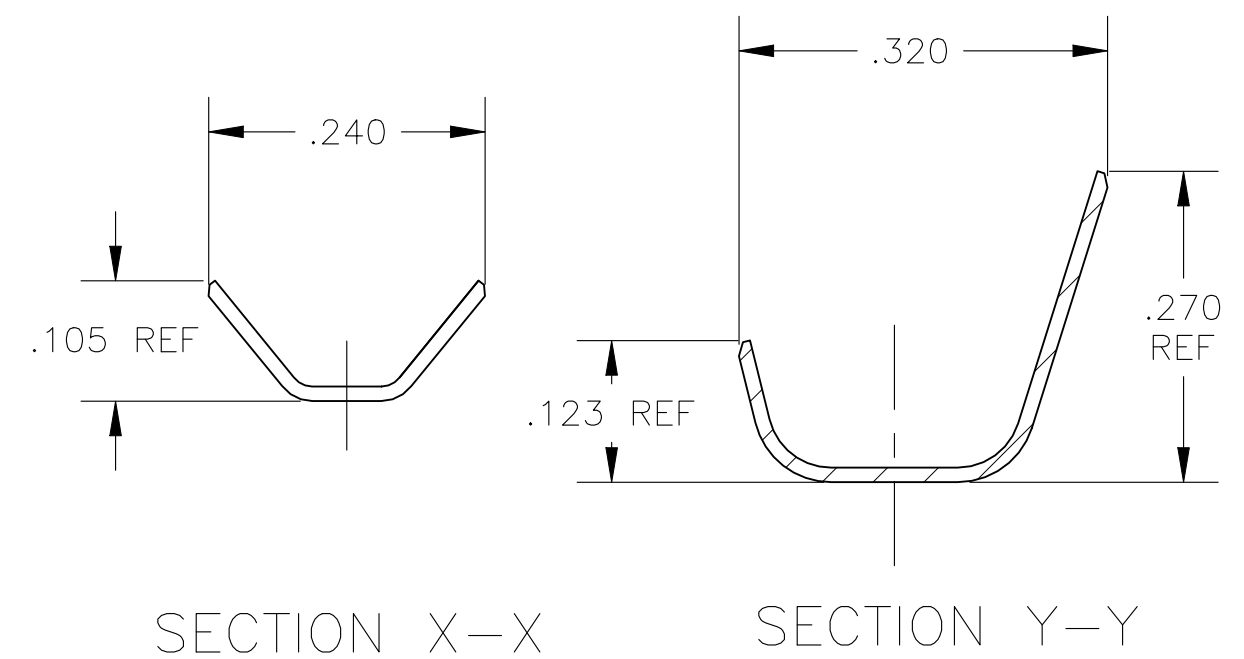


REVISIONS					
P	LTR	DESCRIPTION	DATE	DWN	APVD
J2		REVISED PER ECR-22-160893	15DEC2022	DB	BW



- 1 ALTERNATIVE HOUSING FORM
- 2 WIRE SIZES & COMBINATIONS: #18, #16, #14, (2)#20, (2)#18
- 3 INSULATION RANGE IS .110-.150 DIA OR TWO AT .110 MAX DIA.
- 4 MATERIAL;
TERMINAL: BRASS, FINISH SEE TABLE
HOUSING: 6/6 NYLON,
NATURAL COLOR (WHITE)
- 5 FITS .187 X .032 THK FASTON TAB
- 6 OBSOLETE PARTS



TIN PLATE	521601-2
NO PLATING	521601-1
TERMINAL: FINISH	PART NO.

ASSEMBLY, RECPT, FLAG, ULTRA-POD, .187 SERIES 18-14 AWG , VO HOUSING	
SIZE	RESTRICTED TO
A2	-
CAGE CODE	SCALE
00779	6:1
DRAWING NO	SHEET
C=521601	1 of 1
REV	J2

THIS DRAWING IS A CONTROLLED DOCUMENT.		DWN	30JUL03
		CHK	24JUL03
		APVD	24JUL03
		PRODUCT SPEC	
		APPLICATION SPEC	
		WEIGHT	0.000000
		CUSTOMER DRAWING	

DIMENSIONS:	TOLERANCES UNLESS OTHERWISE SPECIFIED:
INCHES	
0 PLC	± -
1 PLC	± -
2 PLC	± -
3 PLC	± .010
4 PLC	± -
ANGLES	± -
FINISH	
SEE NOTES	SEE NOTES