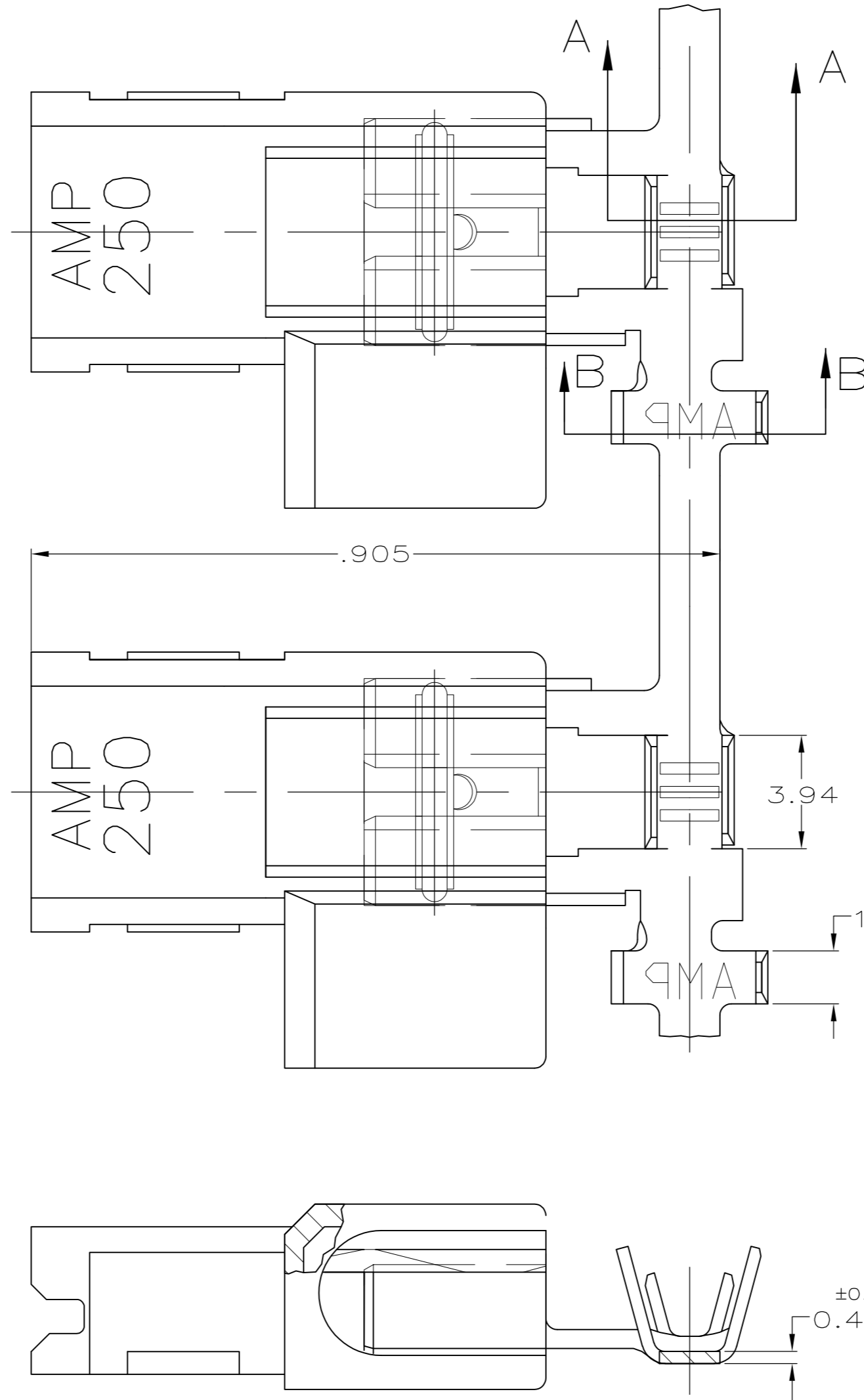
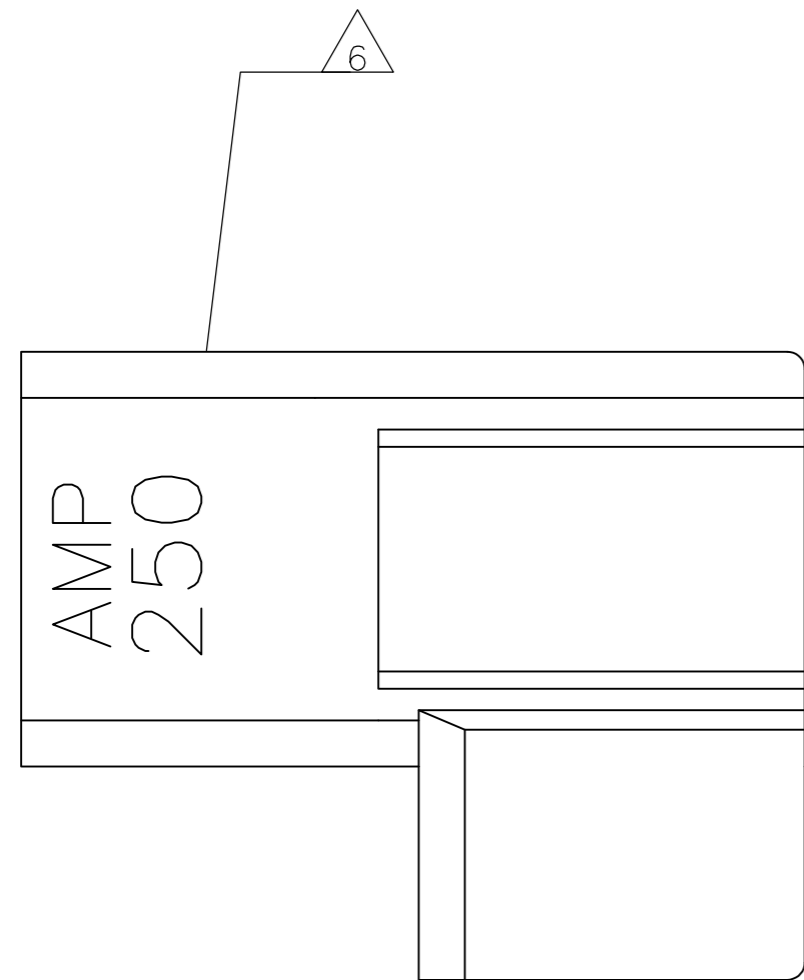
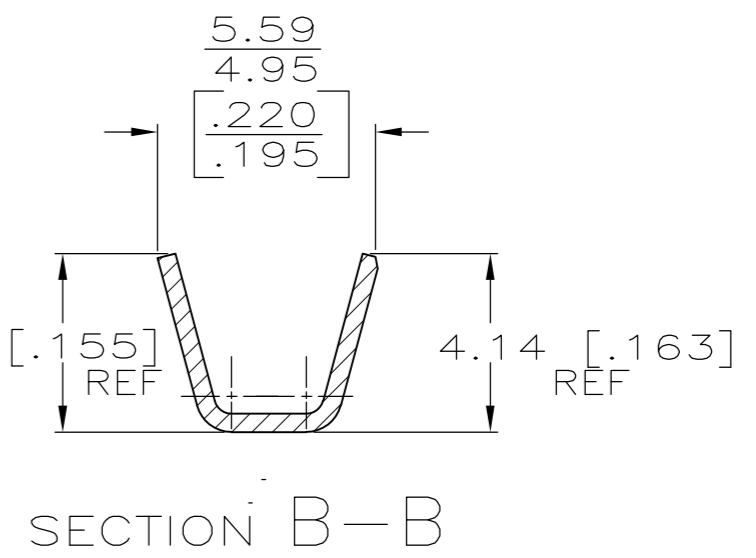
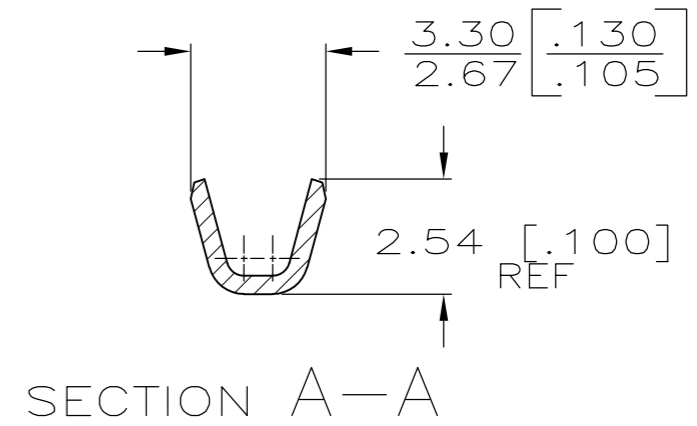


THIS DRAWING IS UNPUBLISHED. RELEASED FOR PUBLICATION  
 © COPYRIGHT - By - ALL RIGHTS RESERVED.

LOC		DIST		REVISIONS			
P	LTR	DESCRIPTION		DATE	DWN	APVD	
AF	50	F2		REVISED PER ECR-12-013219	08JAN13	KH	KR



- 1 BUDGET FLAG FASTON TERMINALS, BASE P/N 521049, ARE USED IN THIS PRODUCT.
- △ 2 MATERIAL: TERMINAL - BRASS  
HOUSING - 6/6 V0, NYLON
- △ 3 FINISH: TERMINAL - SEE TABLE  
HOUSING - NATURAL
- 4 WIRE SIZE IS [22-18] AWG
- 5 INSULATION RANGE IS 1.27-2.54  
[.050-.100] DIA
- △ 6 ALTERNATIVE HOUSING FORM



TIN PLATE	521411-2
PLAIN	521411-1
TERMINAL FINISH	PART NO

THIS DRAWING IS A CONTROLLED DOCUMENT.		DWN	JR RUTH	18MAY01
DIMENSIONS: mm [INCHES]		CHK	MS FEHER	18MAY01
TOLERANCES UNLESS OTHERWISE SPECIFIED:		APVD	J HUMMEL	18MAY01
0 PLC	± -	PRODUCT SPEC	108-1285	
1 PLC	± -	APPLICATION SPEC	114-2124	
2 PLC	± -	WEIGHT	-	
3 PLC	± 0.25 [.010]	CUSTOMER DRAWING	SCALE 6:1 SHEET 1 OF 1 REV F2	
4 PLC	± -			
ANGLES	± -			
FINISH	△ 3			

		ASSEMBLY, RECEPTACLE, FLAG, ULTRA-POD, 6.35 [.250] SERIES	
		SIZE	A2
CAGE CODE	00779	DRAWING NO	C=521411
RESTRICTED TO	-		