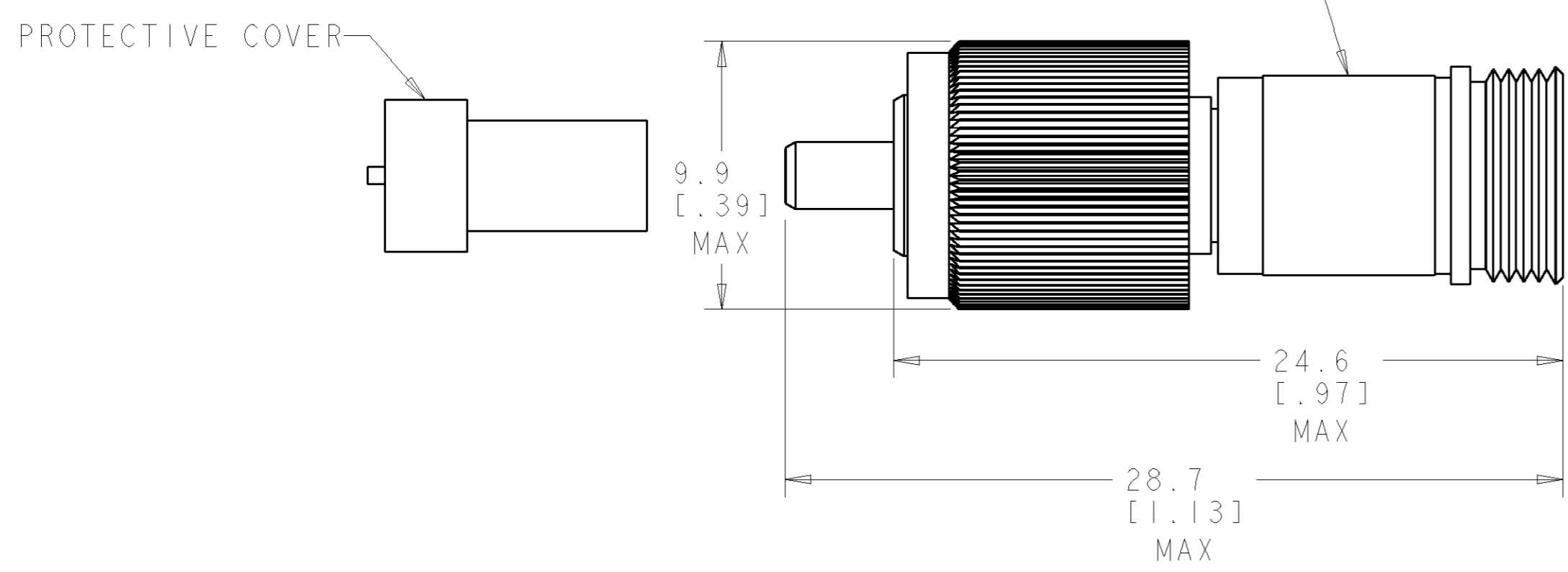
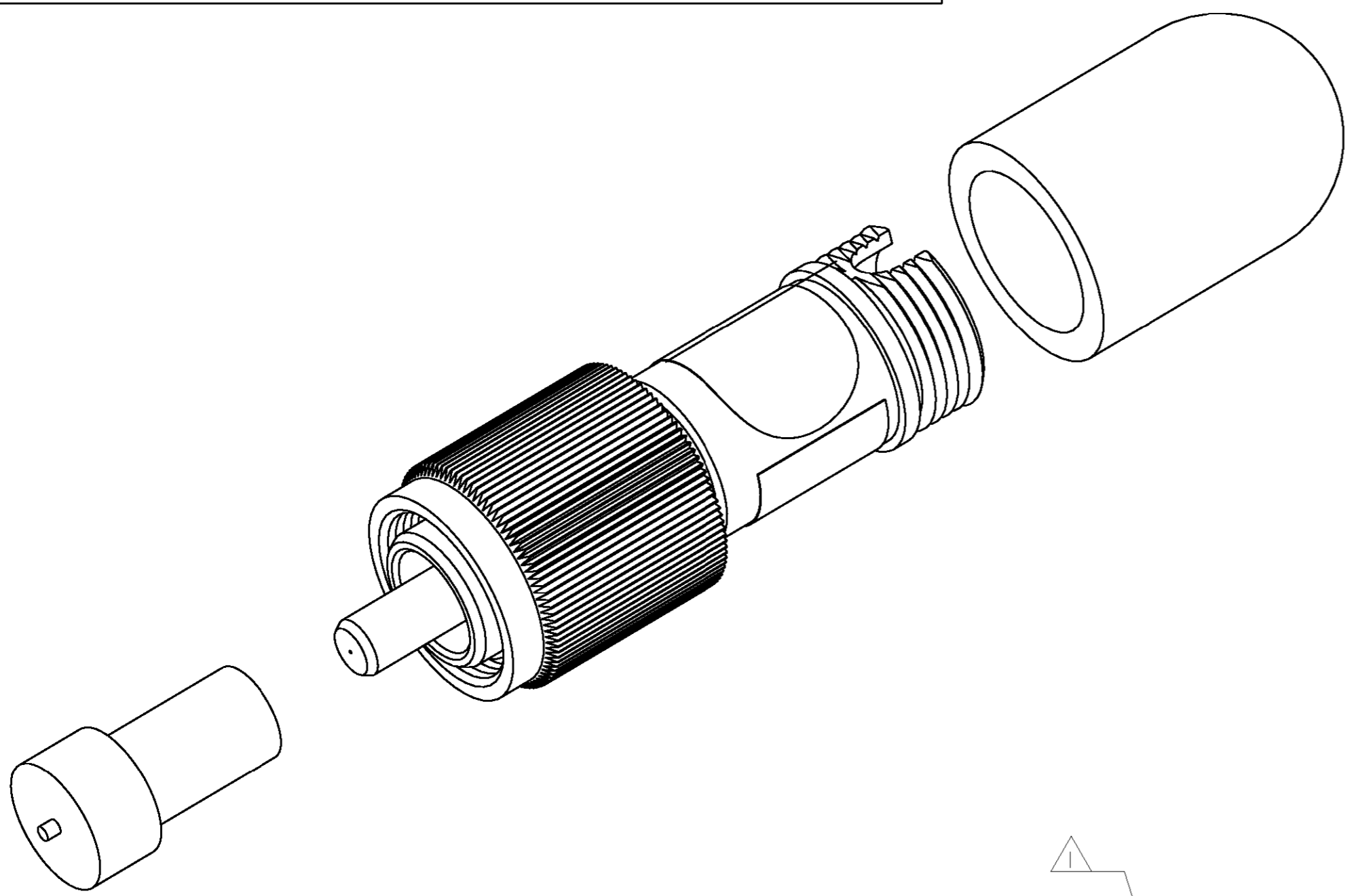


THIS DRAWING IS UNPUBLISHED. RELEASED FOR PUBLICATION 20
 © COPYRIGHT 20 BY TYCO ELECTRONICS CORPORATION. ALL RIGHTS RESERVED.

LOC	DIST	REVISIONS					
CE	00	P	LTR	DESCRIPTION	DATE	DWN	APVD
		B		ECR-06-029231	23MAR2007	EJH	SB



NOMINAL ATTENUATION VALUE (dB)	PART NUMBER
1	5209948-1
2	5209948-2
3	5209948-3
4	5209948-4
5	5209948-5
6	5209948-6
7	5209948-7
8	5209948-8
9	5209948-9
10	1-5209948-0
12	1-5209948-2
13	1-5209948-3
14	1-5209948-4
15	1-5209948-5
18	1-5209948-8
20	2-5209948-0
25	2-5209948-5

PERFORMANCE REQUIREMENTS:
 OPERATING WAVELENGTH : 1310/1550nm ±25nm
 REFLECTANCE : ≤ -55dB
 OPERATING TEMPERATURE : -40°C TO 75°C
 ATTENUATION TOLERANCE, AMBIENT :
 FOR ATTENUATORS ≥5dB: ±10% OF NOMINAL ATTENUATION VALUE
 FOR ATTENUATORS <5dB: ±.50dB
 MEASURED WITH REFERENCE QUALITY LAUNCH LEADS

△ TYCO LOGO, ATTENUATION VALUE, PART NUMBER, AND SERIAL NUMBER ARE PRINTED ON THE LABEL

<small>THIS DRAWING IS A CONTROLLED DOCUMENT FOR TYCO ELECTRONICS CORPORATION. IT IS SUBJECT TO CHANGE AND THE CONTROLLING ENGINEERING ORGANIZATION SHOULD BE CONTACTED FOR THE LATEST REVISION.</small>		DWN E. HOPKINS CHK E. HOPKINS APVD S. BUCHTER	19DEC2005 19DEC2005 19DEC2005	tyco Electronics Tyco Electronics Harrisburg, PA 17105-3608
DIMENSIONS: mm [INCHES]	TOLERANCES UNLESS OTHERWISE SPECIFIED: 0 PLC ± 1 PLC ± 2 PLC ± 3 PLC ± 4 PLC ± ANGLES ±2 FINISH	PRODUCT SPEC - APPLICATION SPEC - WEIGHT - CUSTOMER DRAWING	NAME ATTENUATOR, OPTICAL, BUILDOUT FC/UPC, SM, DUAL WINDOW	SIZE A2 CAGE CODE 00779 DRAWING NO 5209948 RESTRICTED TO -
SCALE 5:1			SHEET 1 OF 1 REV B	