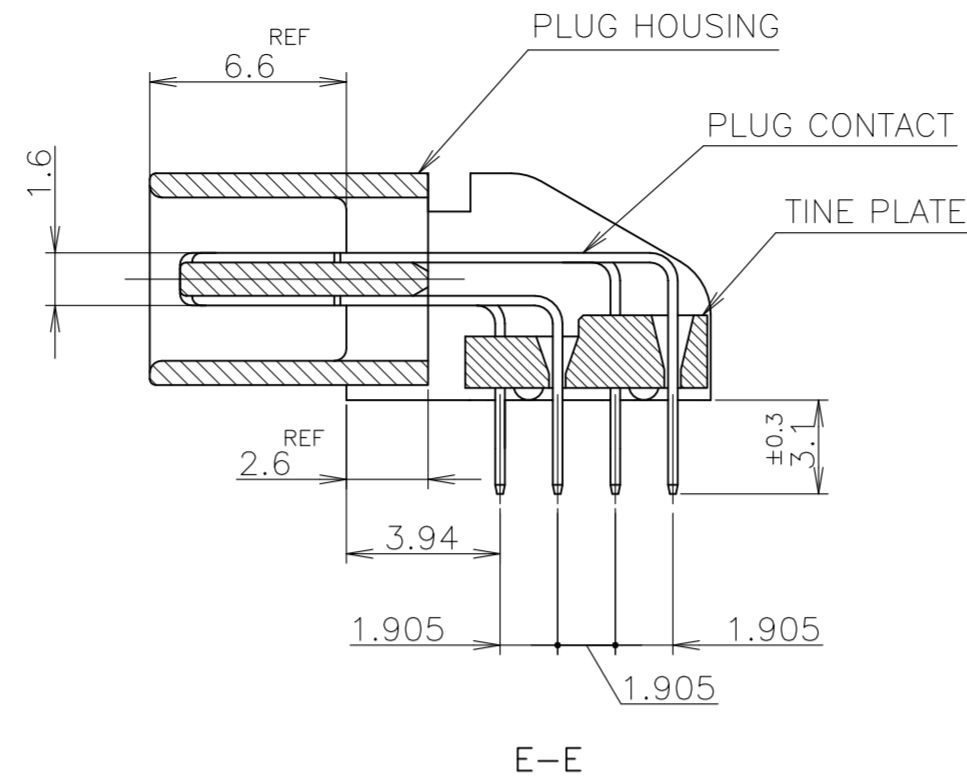
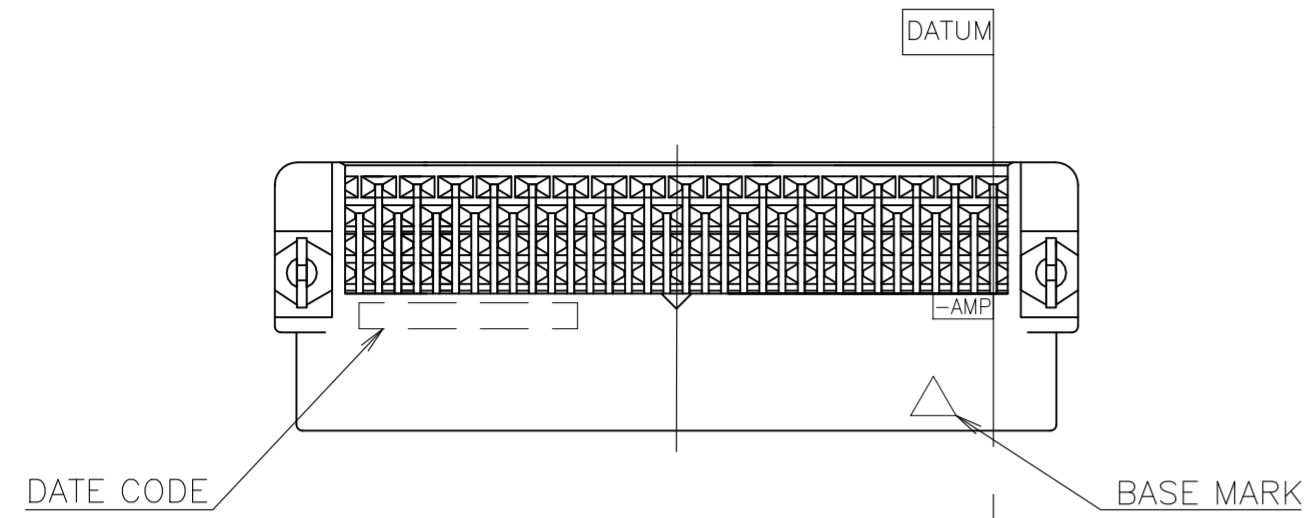
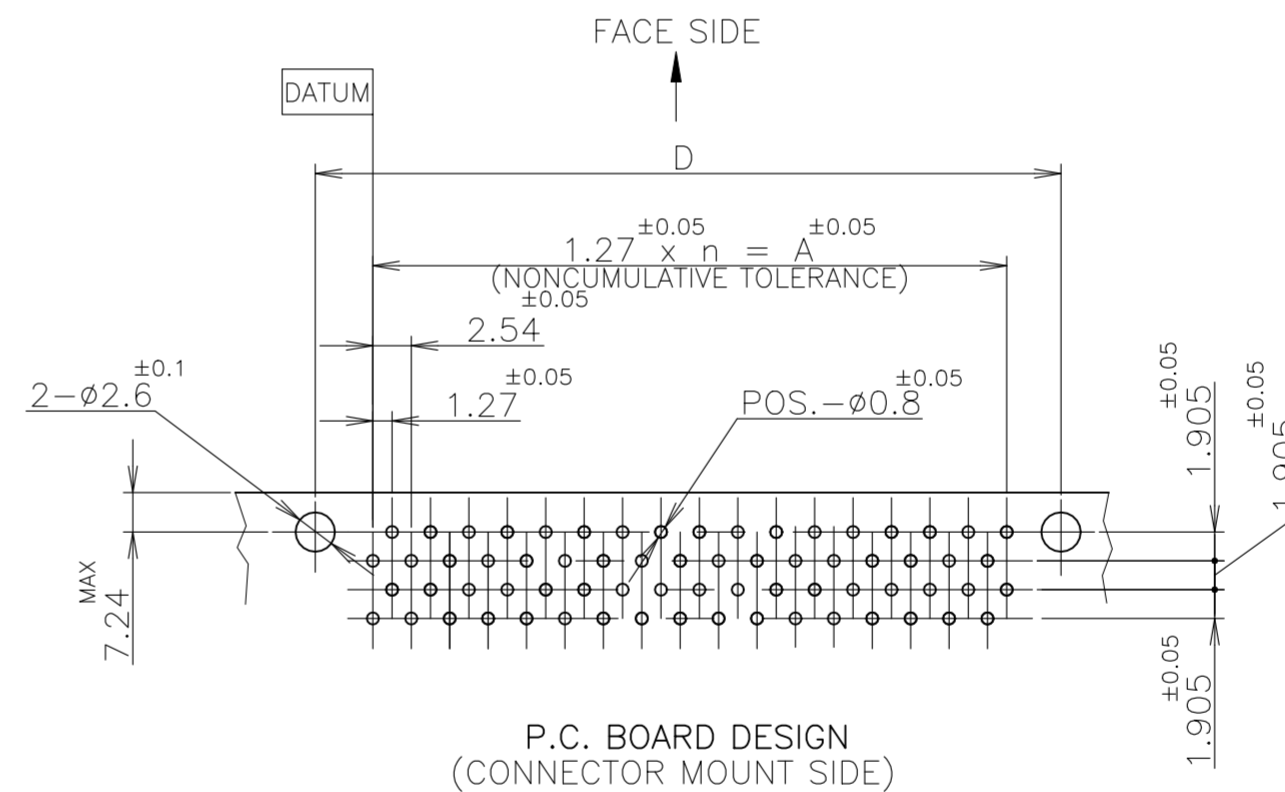
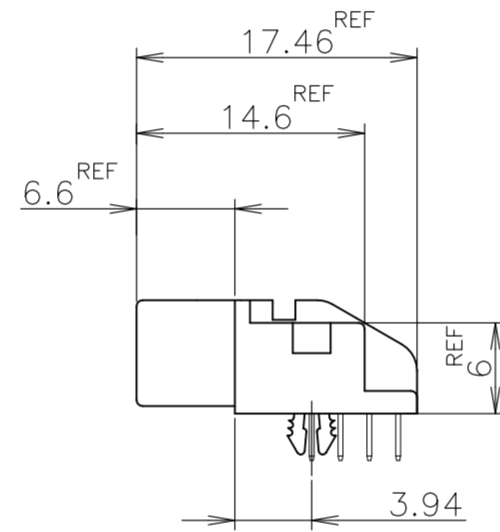
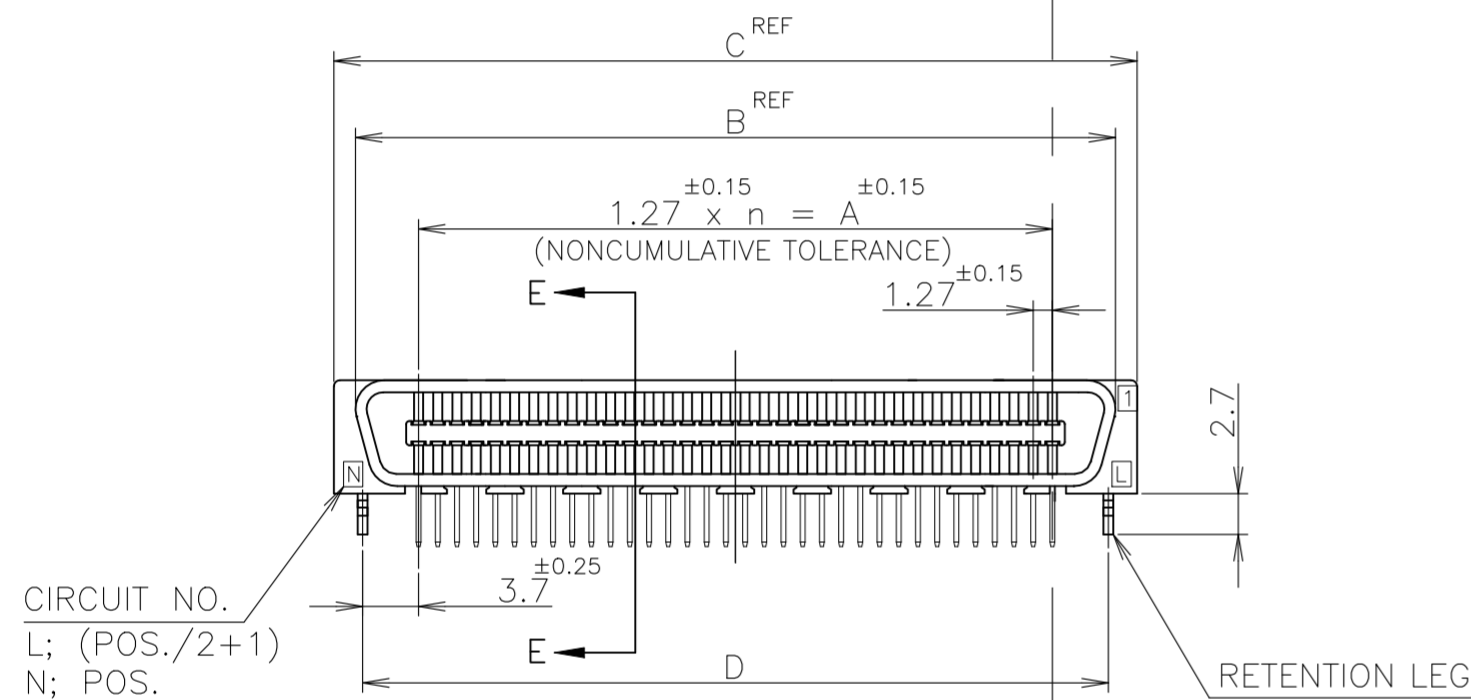


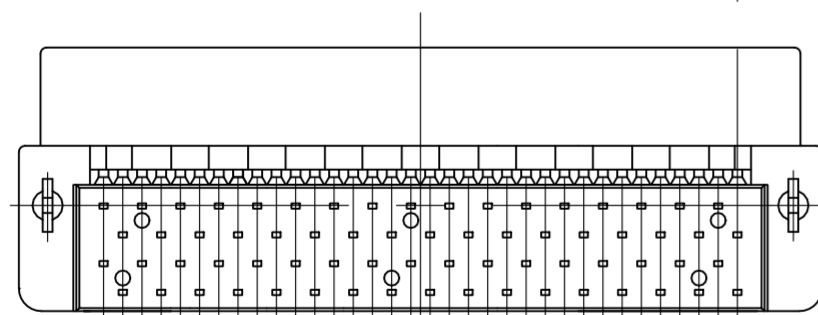
REVISIONS					
P	LTR	DESCRIPTION	DATE	DWN	APVD
A1		REVISED PER ECN-23-243179	19DEC2023	AP	IT



- 1 NUMBER "n" IS COUNTED FROM DATUM (CIRCUIT NO.1 IS "AMP" MARK SIDE.)
- △ MATERIAL: HOUSING, 66 NYLON (GF) UL 94V-0, BLACK.
: CONTACT, PHOSPHOR BRONZE.
: RETENTION LEG; BRASS.
- △ FINISH: CONTACT; Au AT CONTACT AREA (SEE TABLE),
TIN AT TINE, OVER Ni.
RETENTION LEG; TIN UNDER Ni.
- 4. TREATED BY ANTI-FLUX MIGRATION AGENT



CIRCUIT NO.
L; (POS./2+1)
N; POS.



LEAD FREE

GENERAL TOLERANCE	
10 ≥ : ±0.2	
30 ≥ > 10: ±0.25	
100 ≥ > 30: ±0.3	
ANGLES: ±3°	

4-	-1		120	59	74.93	83.27	86.13	82.33
3-	-9		80	39	49.53	57.87	60.73	56.93
3-5179275-8		0.0005	68	33	41.91	50.25	53.11	49.31
PART NO.	Au PLATE	POS.	n	A	B	C	D	

THIS DRAWING IS A CONTROLLED DOCUMENT.

DWN Julyee Zhu 10AUG2004	TE Connectivity AMP CHAMP .050 CONNECTOR (B-T-B) PLUG CONNECTOR (HORIZONTAL WITH RETENTION LEG)
CHK Steven Yao 10AUG2004	
APVD Ikuo Enomoto 10AUG2004	
NAME Ikuo Enomoto	
PRODUCT SPEC 製品規格	SIZE A2
APPLICATION SPEC 取付適用規格	CAGE CODE 00779
WEIGHT 0.000000	DRAWING NO. C=5179275
CUSTOMER DRAWING	RESTRICTED TO

SCALE NTS SHEET 1 OF 1 REV A1

5179275