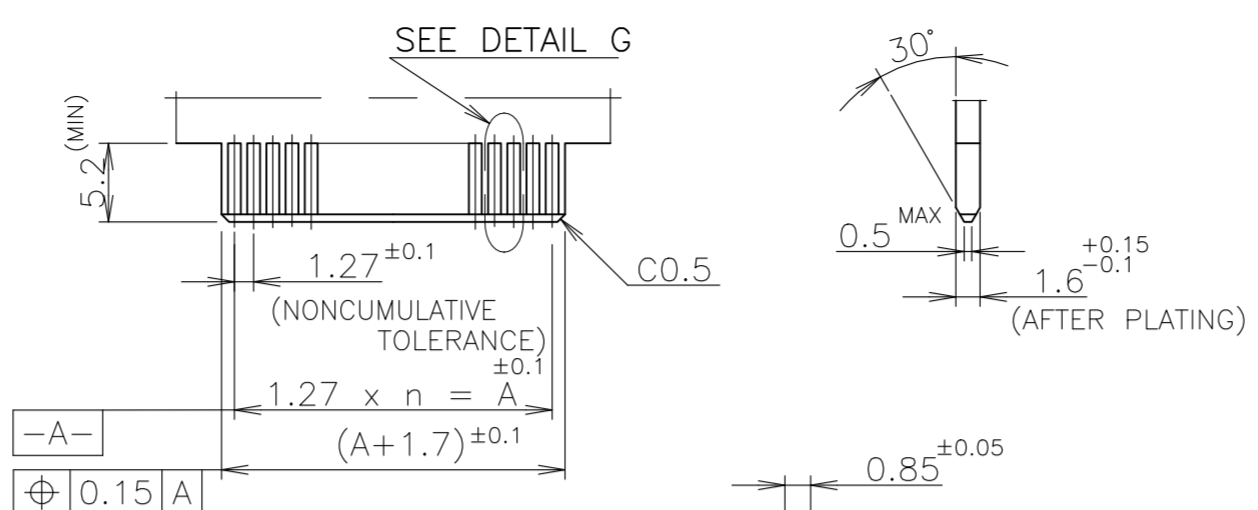
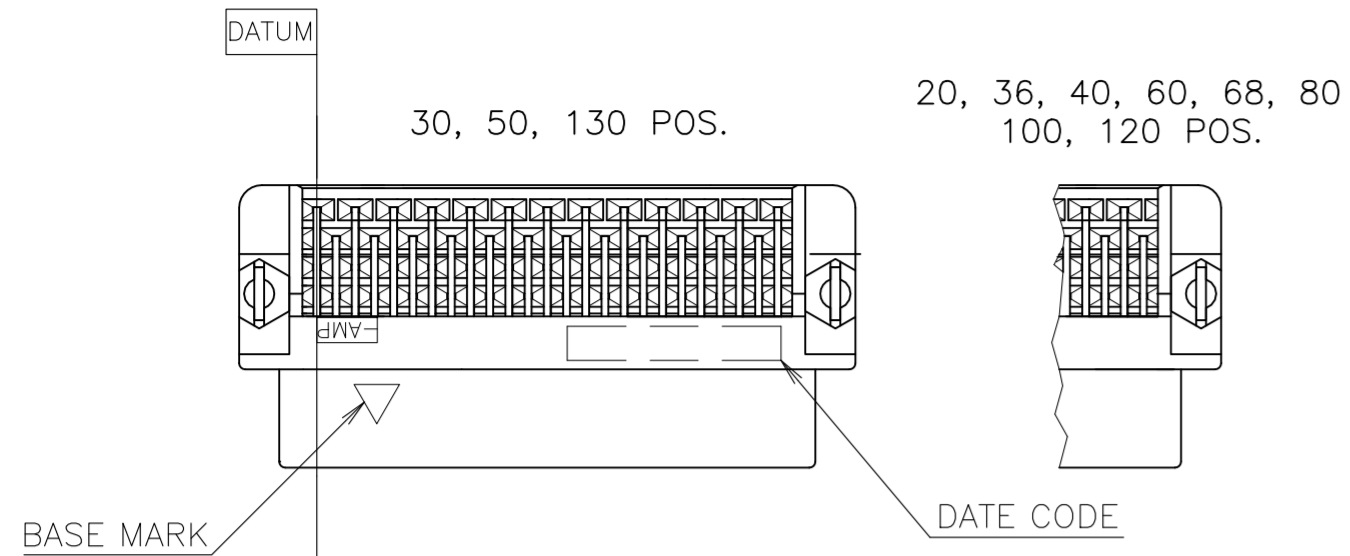
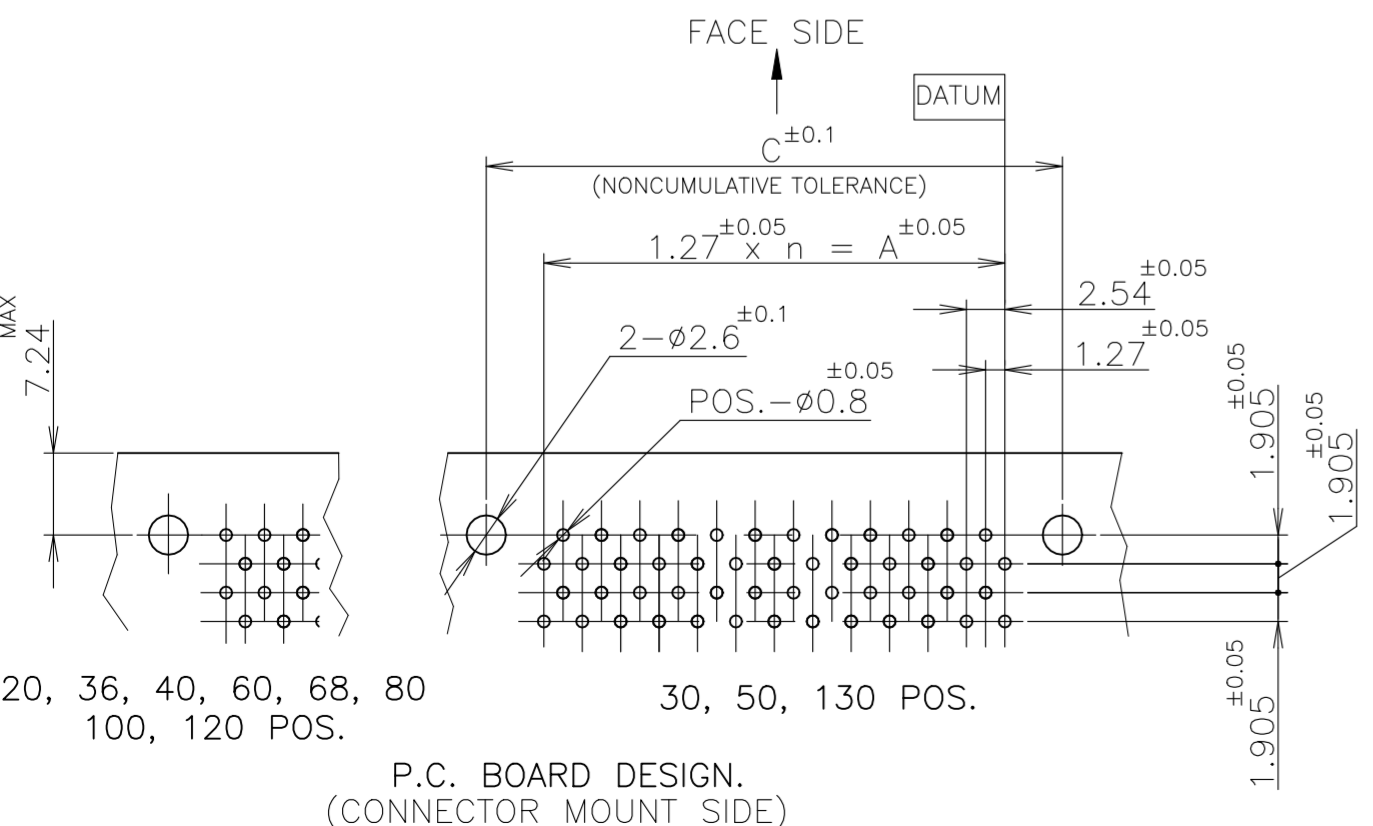
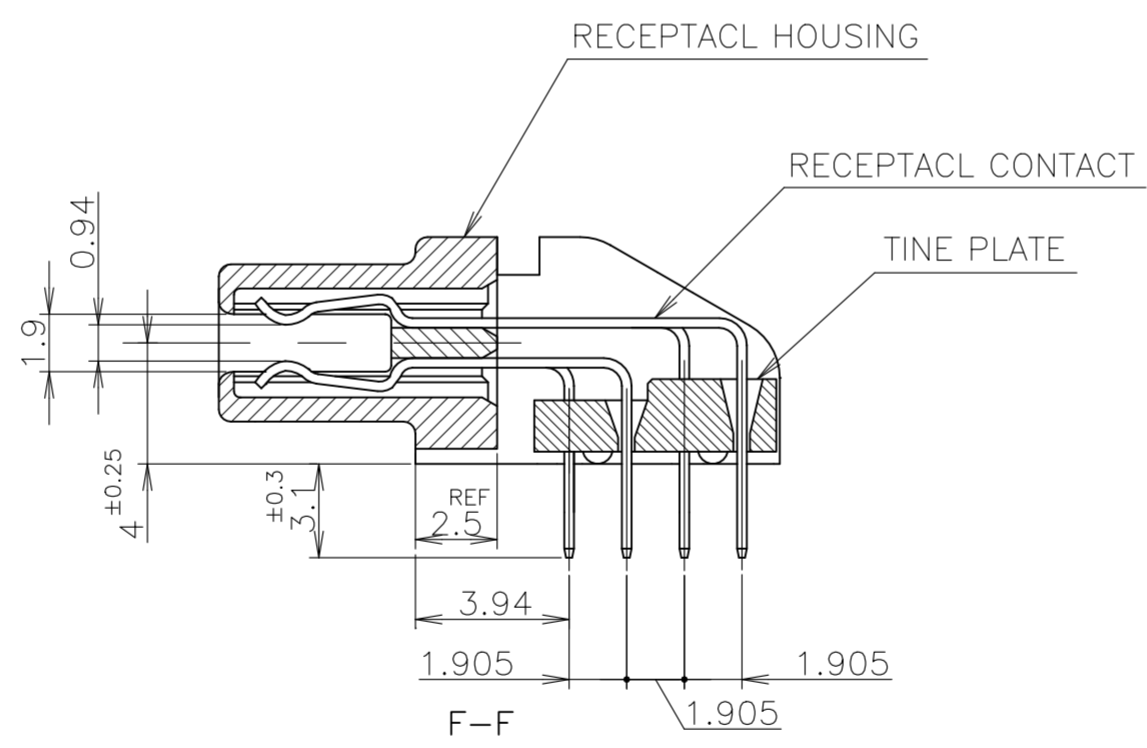
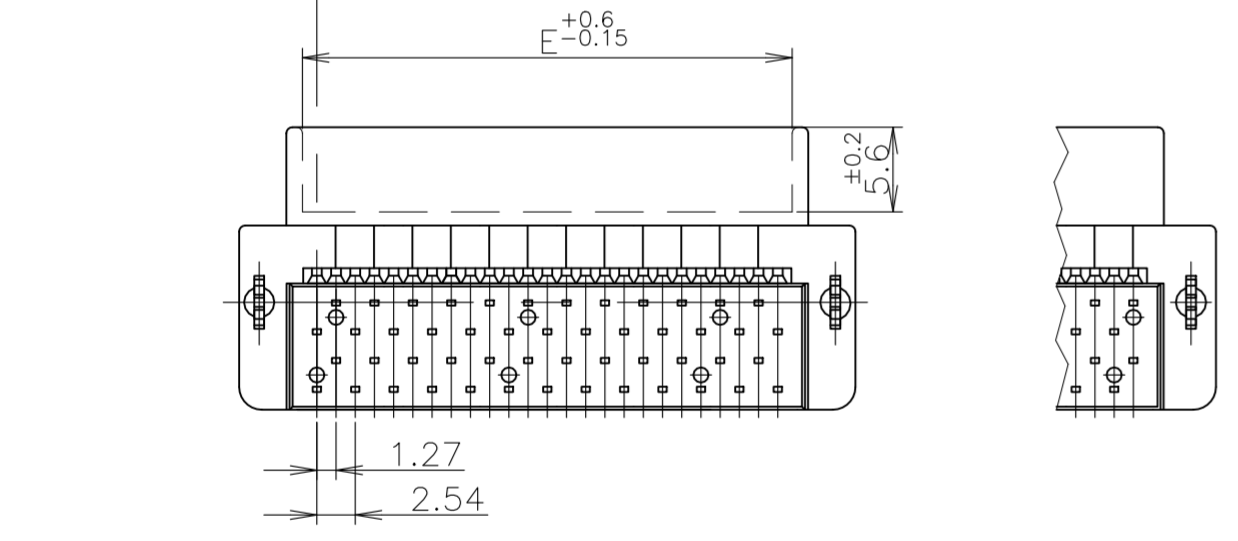
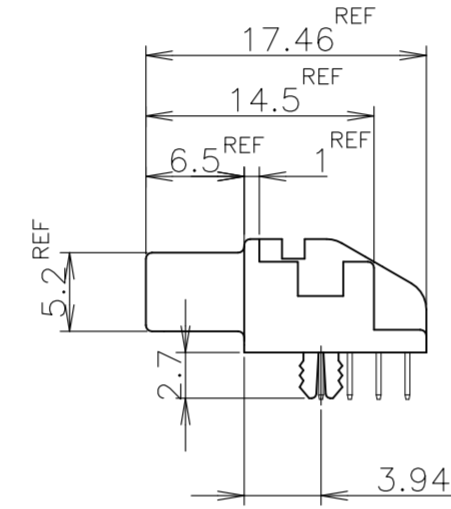
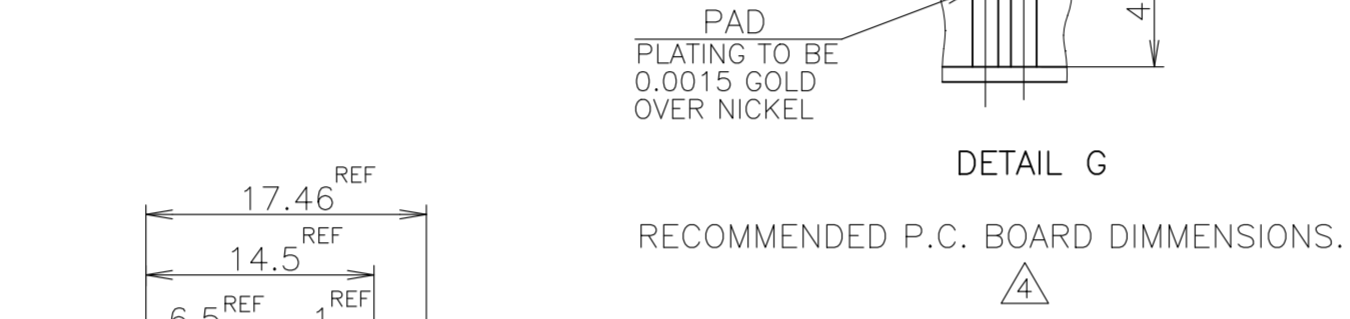
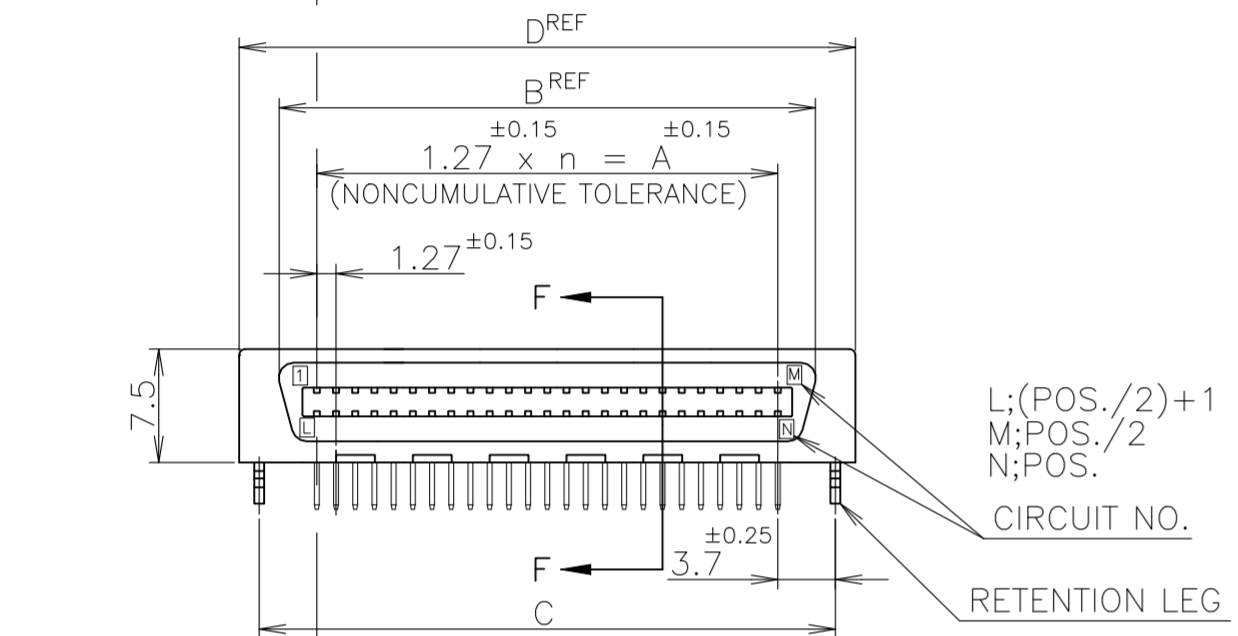


THIS DRAWING IS UNPUBLISHED. RELEASED FOR PUBLICATION OCT., 1988.  
 © COPYRIGHT 1988 BY - ALL RIGHTS RESERVED.

REVISIONS					
P	LTR	DESCRIPTION	DATE	DWN	APVD
S1		REVISED PER ECN-24-257267	10JUN2024	AP	IT



- 1 NUMBER "n" IS COUNTED FROM DATUM (CIRCUIT NO.1 IS "AMP" MARK SIDE.)
- 2 MATERIAL: HOUSING, 66 NYLON (GF) UL 94V-0, BLACK.  
: CONTACT, PHOSPHOR BRONZE.  
: RETENTION LEG; BRASS.
- 3 FINISH: CONTACT; Au AT CONTACT AREA (SEE TABLE), TIN AT TINE, OVER Ni.  
RETENTION LEG; TIN UNDER Ni.
- 4 P.C. BOARD THK MUST BE 1.6±0.15 FOR CARD EDGE CONNECTOR



LEAD FREE

GENERAL TOLERANCE	
10 ≥ : ±0.2	
30 ≥ > 10: ±0.25	
100 ≥ > 30: ±0.3	
ANGLES: ±3°	

STATUS	POS.	PLC	AMP	A	B	C	D	E		
OBSOLETE	6-	-2		130	64	81.28	86.82	88.68	92.48	83.18
OBSOLETE	6-	-1		120	59	74.93	80.47	82.33	86.13	76.83
	6-	-0		100	49	62.23	67.77	69.63	73.43	64.13
	5-	-9		80	39	49.53	55.07	56.93	60.73	51.43
OBSOLETE	5-	-8		68	33	41.91	47.45	49.31	53.11	43.81
	5-	-7		60	29	36.83	42.37	44.23	48.03	38.73
	5-	-6		50	24	30.48	36.02	37.88	41.68	32.38
	5-	-5		40	19	24.13	29.67	31.53	35.33	26.03
OBSOLETE	5-	-3		30	14	17.78	23.32	25.18	28.98	19.68
	5-	-1	0.00076	20	9	11.43	16.97	18.83	22.63	13.33
OBSOLETE	4-	-2		130	64	81.28	86.82	88.68	92.48	83.18
OBSOLETE	4-	-1		120	59	74.93	80.47	82.33	86.13	76.83
OBSOLETE	4-	-0		100	49	62.23	67.77	69.63	73.43	64.13
OBSOLETE	3-	-9		80	39	49.53	55.07	56.93	60.73	51.43
	3-	-8		68	33	41.91	47.45	49.31	53.11	43.81
	3-	-7		60	29	36.83	42.37	44.23	48.03	38.73
	3-	-6		50	24	30.48	36.02	37.88	41.68	32.38
	3-	-5		40	19	24.13	29.67	31.53	35.33	26.03
	3-	-3		30	14	17.78	23.32	25.18	28.98	19.68
	3-	-1	0.0005	20	9	11.43	16.97	18.83	22.63	13.33
OBSOLETE	1-	-2		130	64	81.28	86.82	88.68	92.48	83.18
OBSOLETE	1-	-1		120	59	74.93	80.47	82.33	86.13	76.83
OBSOLETE	1-	-0		100	49	62.23	67.77	69.63	73.43	64.13
OBSOLETE		-9		80	39	49.53	55.07	56.93	60.73	51.43
		-8		68	33	41.91	47.45	49.31	53.11	43.81
OBSOLETE		-7		60	29	36.83	42.37	44.23	48.03	38.73
		-6		50	24	30.48	36.02	37.88	41.68	32.38
		-5		40	19	24.13	29.67	31.53	35.33	26.03
		-4		36	17	21.59	27.13	28.99	32.79	23.49
OBSOLETE		-3		30	14	17.78	23.32	25.18	28.98	19.68
OBSOLETE				30	14	17.78	23.32	25.18	28.98	19.68
				20	9	11.43	16.97	18.83	22.63	13.33
				20	9	11.43	16.97	18.83	22.63	13.33

THIS DRAWING IS A CONTROLLED DOCUMENT.

DWN S.ISHIKAWA 13OCT88	TE Connectivity Ltd. CHAMP .050 CONNECTOR(B-T-B) RECEPTACLE COEONCTOR HORIZONTAL WITH RETENTION LEG					
CHK Steven Yoo 19AUG2004						
APVD Julyee Zhu 19AUG2004						
NAME						
DIMENSIONS: mm	TOLERANCES UNLESS OTHERWISE SPECIFIED:	108-60038	SIZE A2	CAGE CODE 00779	DRAWING NO. C=5175474	RESTRICTED TO
0 PLC ±	1 PLC ±	APPLICATION SPEC	WEIGHT 0.000000	SCALE NTS	SHEET 1 of 1	REV S1
2 PLC ±	3 PLC ±	MATERIAL	CUSTOMER DRAWING			
4 PLC ±	ANGLES ±	FINISH				