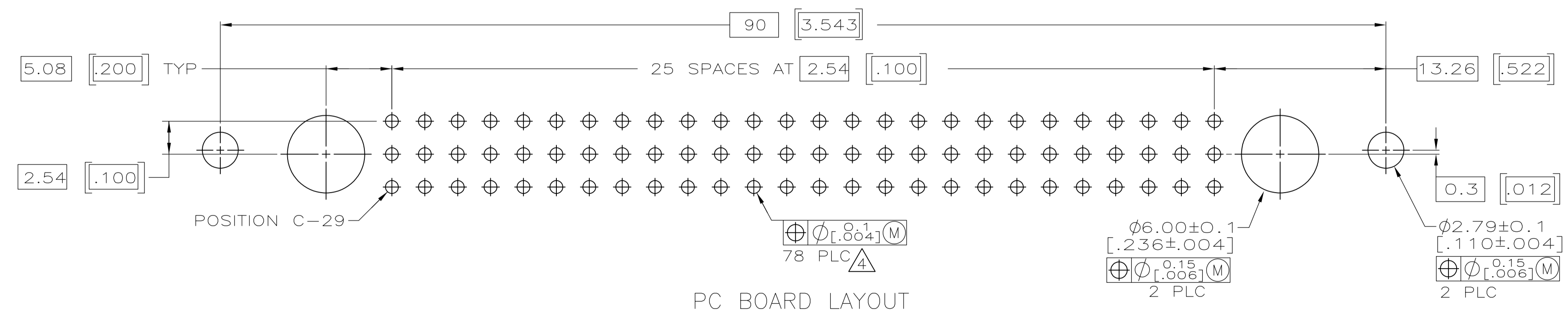
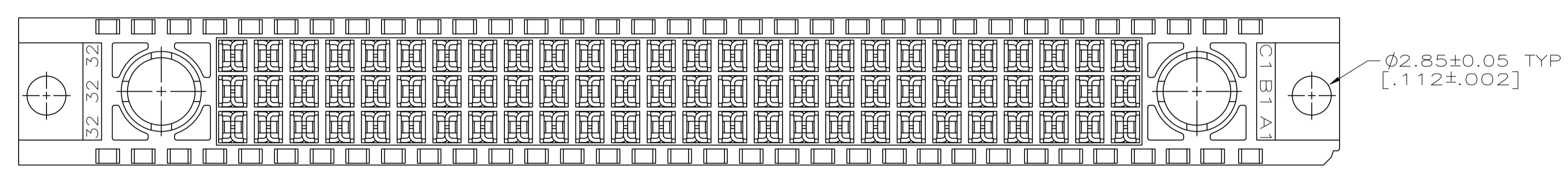
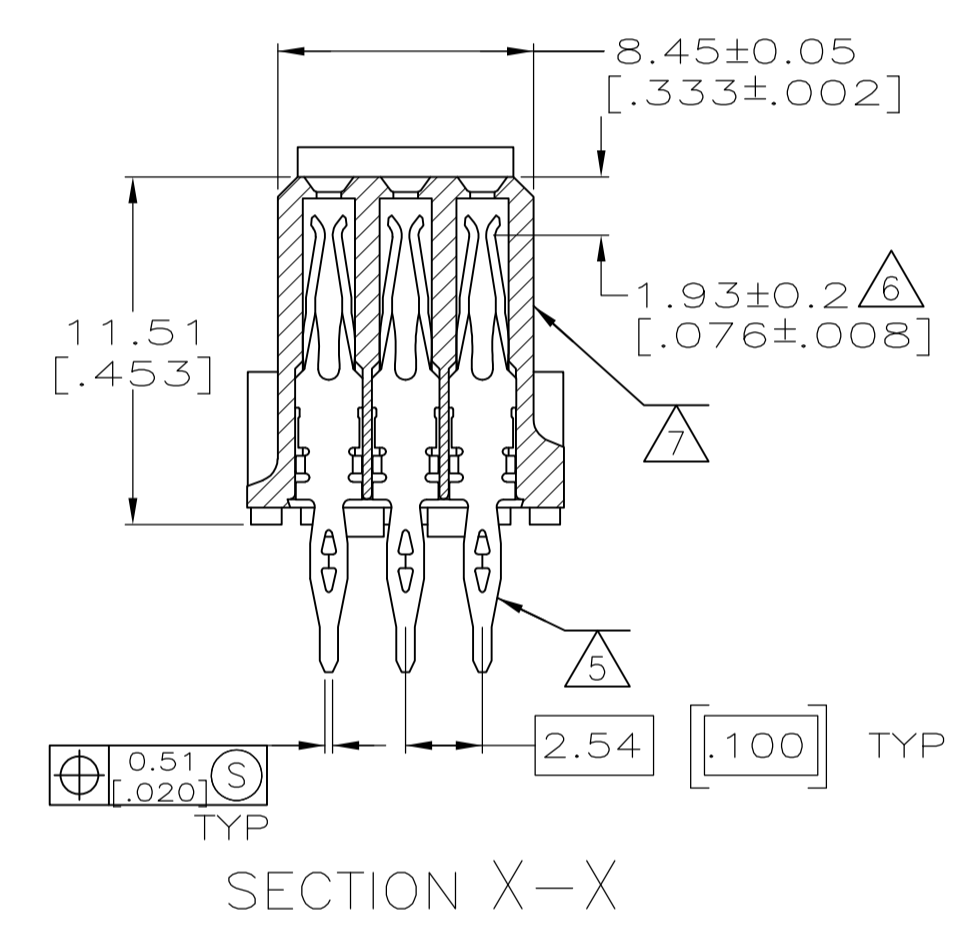
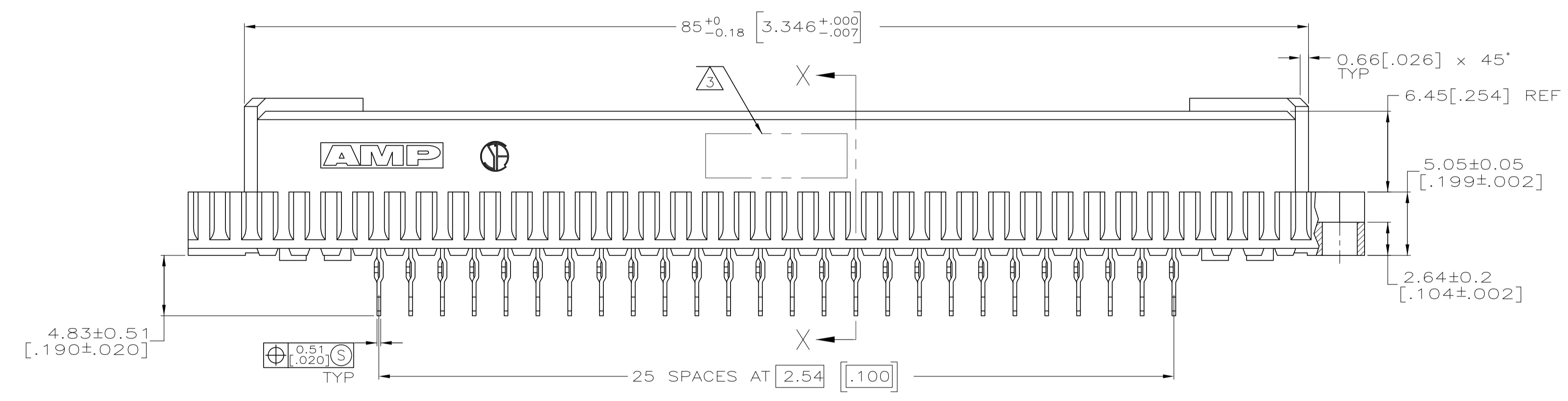
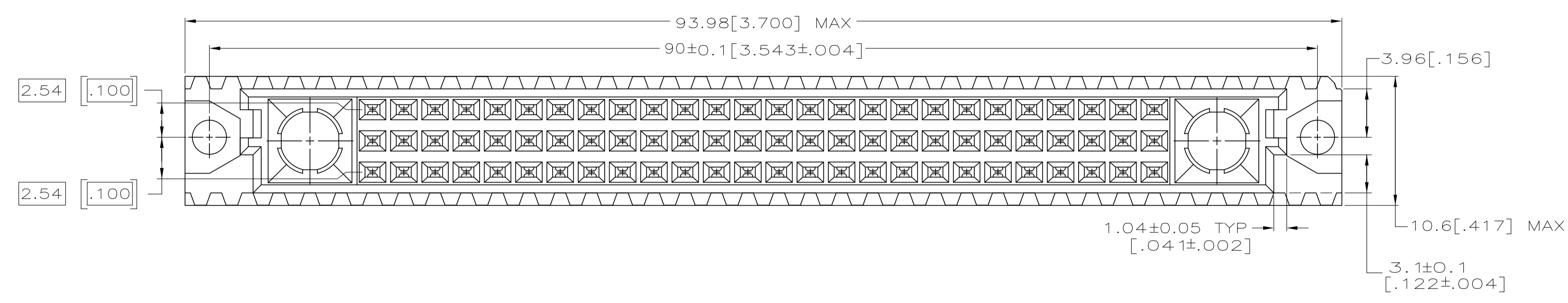


- ① HOUSING MATERIAL: GLASS-FILLED POLYMER.
- ② CONTACT MATERIAL: COPPER ALLOY.
- ③ PART NUMBER, DATE CODE IDENTIFICATION, CSA LOGO IN THIS APPROXIMATE AREA.
- ④ ACTION PIN POSTS REQUIRE 1.57[.062] MINIMUM THICK PC BOARD. RECOMMENDED PC BOARD DRILLED HOLES ARE  $\phi 1.15 \pm 0.025$  [.0453  $\pm$  .0010] WITH 0.02-0.08 [.001-.003] COPPER AND 0.008 [.0003] MINIMUM TIN-LEAD PLATING. FINISHED HOLES AFTER PLATING  $\phi 0.94-1.09$  [.037-.043].
- ⑤ CONTACT FINISH: DIN 41612 CLASS 2 IN CONTACT AREA. TIN PLATE ON POSTS.
- ⑥ CONTACT POINT.
- ⑦ MARKING ON THIS SIDE.



5148417-5  
PART NUMBER

THIS DRAWING IS A CONTROLLED DOCUMENT.		DWN J. POLIGNONE 13APROS	Tyco Electronics Corporation Harrisburg, PA 17105-3608
DIMENSIONS: mm [INCHES]		CHK A. SHARPE 13APROS	
TOLERANCES UNLESS OTHERWISE SPECIFIED:		APP'D A. SHARPE 13APROS	NAME ASSEMBLY, RECEPTACLE, TYPE M, EUROCARD, 78+2, PRESS-FIT, 4.83[.190]
0 PLC ± -		PRODUCT SPEC	SIZE A1
1 PLC ± -		APPLICATION SPEC	CAGE CODE 00779
2 PLC ± 0.13[.005]		RESTRICTED TO	DRAWING NO. 5148417
3 PLC ± -		WEIGHT -	SCALE 4:1
4 PLC ± -		CUSTOMER DRAWING	SHEET 1 of 1
ANGLES ± -			REV 01
FINISH ⑤			