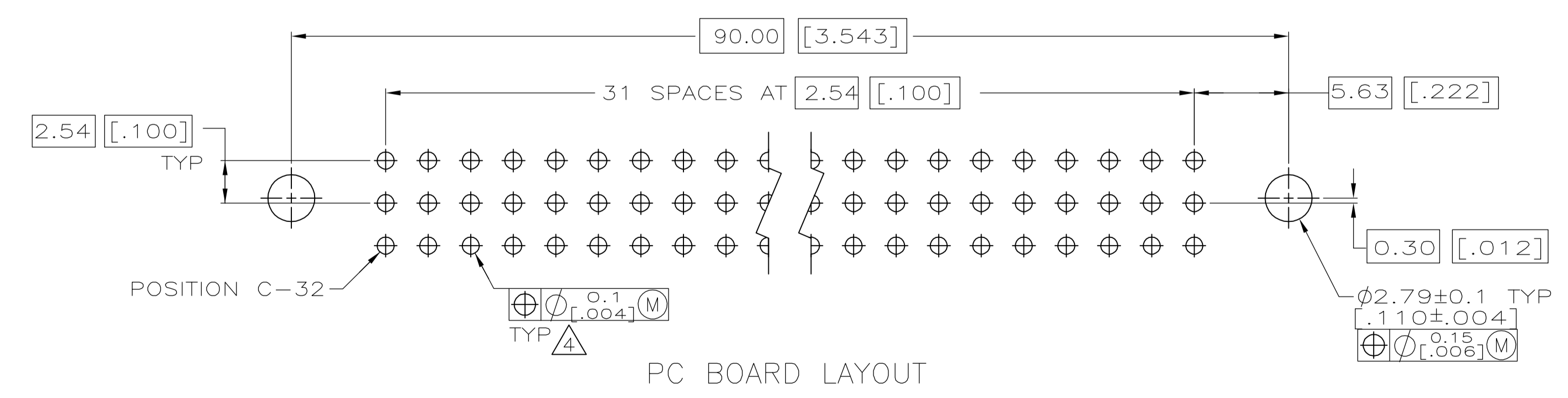
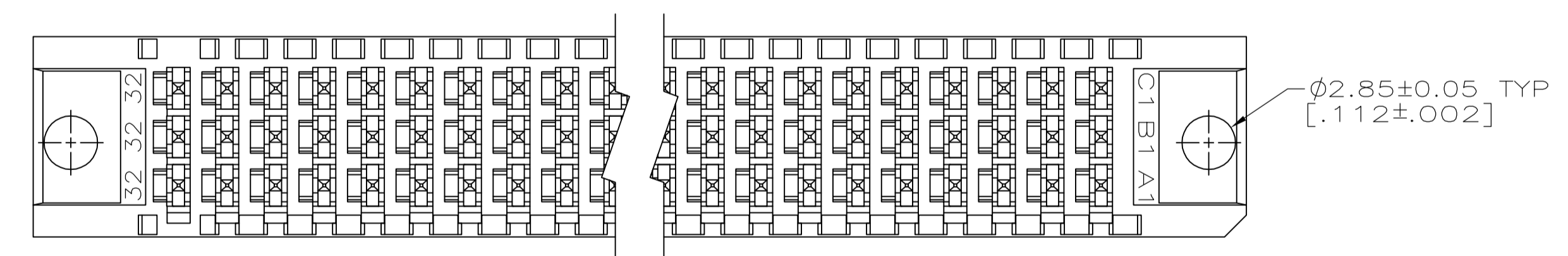
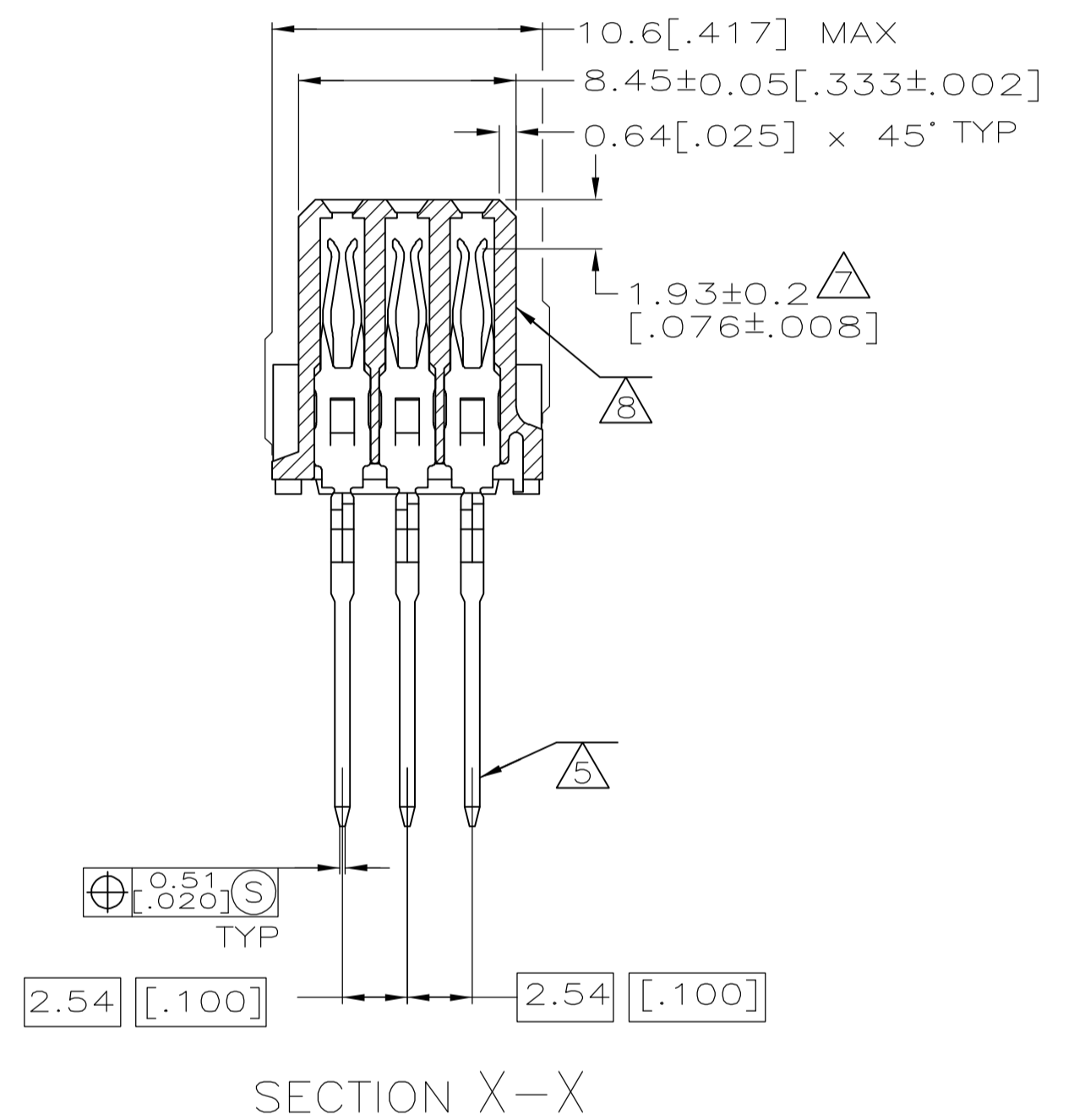
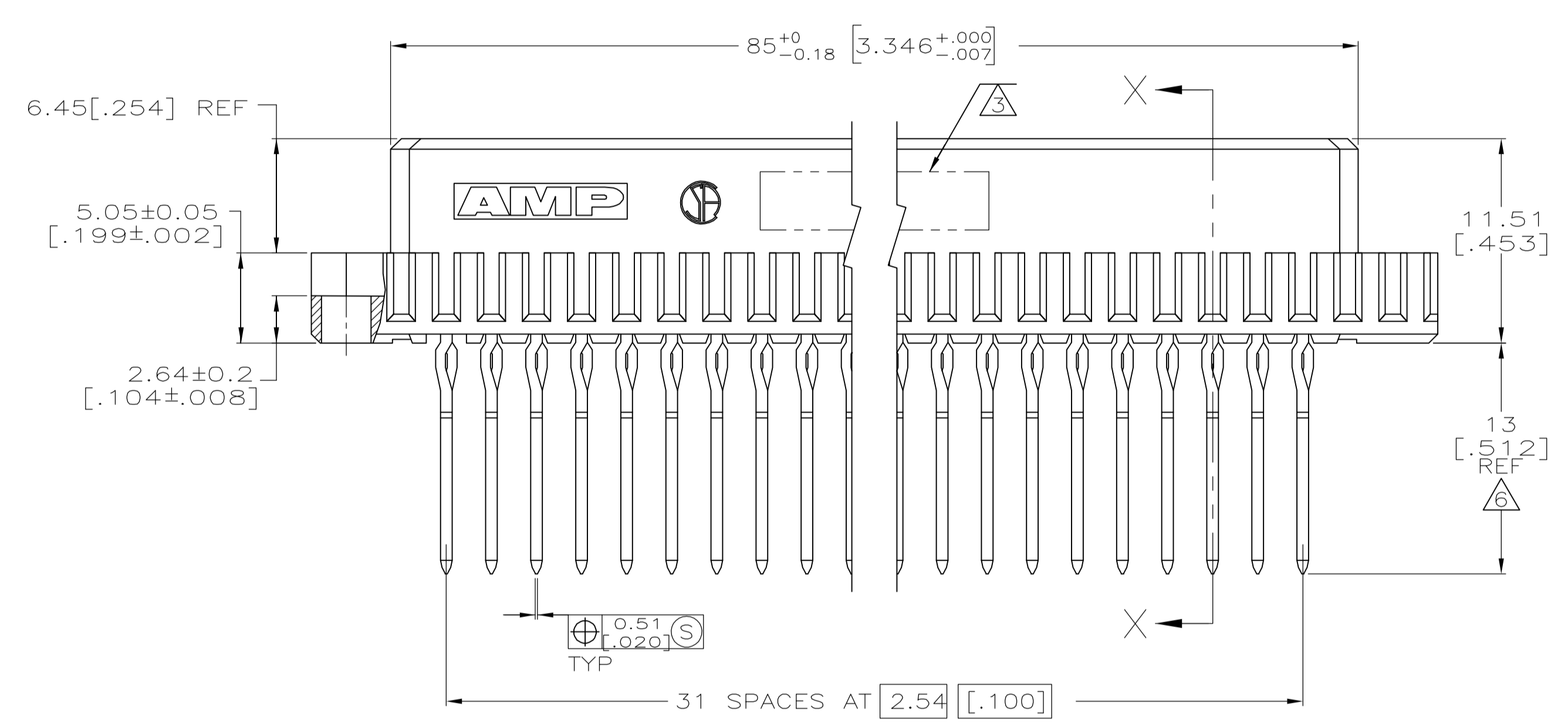
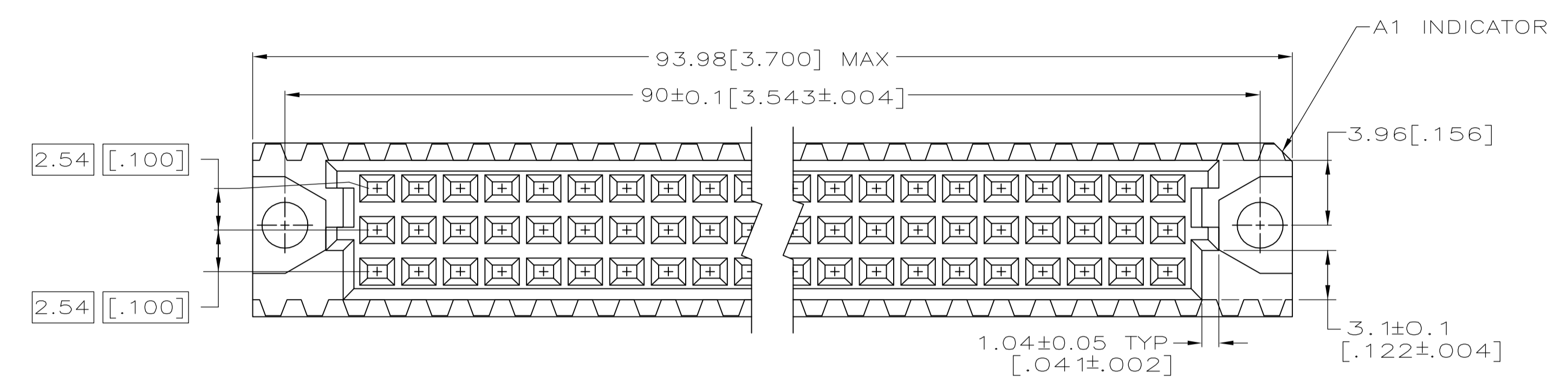


- ① HOUSING MATERIAL: GLASS-FILLED POLYMER.
- ② CONTACT MATERIAL: COPPER ALLOY.
- ③ PART NUMBER AND DATE CODE, IN THIS APPROXIMATE AREA, ON REVERSE SIDE.
- ④ ACTION PIN POSTS REQUIRE 1.57[.062] MINIMUM THICK PC BOARD. RECOMMENDED PC BOARD DRILLED HOLES ARE 1.15±0.025[.0453±.0010] DIAMETER WITH 0.02-0.08[.001-.003] COPPER AND 0.008[.0003] MINIMUM TIN-LEAD PLATING. FINISHED HOLE AFTER PLATING IS 0.94-1.09[.037-.043] DIAMETER.
- ⑤ CONTACT FINISH: DIN 41612 CLASS 2 IN CONTACT AREA. TIN PLATE ON POSTS.
- ⑥ TAIL LENGTH AFTER SEATING IN PC BOARD.
- ⑦ CONTACT POINT AFTER SEATED IN PC BOARD.
- ⑧ MARKING ON THIS SIDE.



5148057-5  
PART NO

THIS DRAWING IS A CONTROLLED DOCUMENT.		DIN J. POLIGNONE 03JUN05		Tyco Electronics Corporation Harrisburg, PA 17105-3608																				
DIMENSIONS: mm [INCHES]		CHK A. SHARPE 03JUN05		APVD A. SHARPE 03JUN05	NAME	ASSEMBLY, RECEPTACLE, EUROCARD, TYPE C, 96 POSITION, 14.07[.554] PRESS-FIT																		
TOLERANCES UNLESS OTHERWISE SPECIFIED:		<table border="1"> <tr><td>0 PLC</td><td>±</td><td>-</td></tr> <tr><td>1 PLC</td><td>±</td><td>-</td></tr> <tr><td>2 PLC</td><td>±</td><td>0.13[.005]</td></tr> <tr><td>3 PLC</td><td>±</td><td>-</td></tr> <tr><td>4 PLC</td><td>±</td><td>-</td></tr> <tr><td>ANGLES</td><td>±</td><td>-</td></tr> </table>		0 PLC	±	-	1 PLC	±	-	2 PLC	±	0.13[.005]	3 PLC	±	-	4 PLC	±	-	ANGLES	±	-	APPLICATION SPEC	SIZE	A1
0 PLC	±	-																						
1 PLC	±	-																						
2 PLC	±	0.13[.005]																						
3 PLC	±	-																						
4 PLC	±	-																						
ANGLES	±	-																						
MATERIAL		FINISH	WEIGHT	SCALE	4:1																			
CUSTOMER DRAWING		DRAWING NO	00779	SHEET	1 OF 1																			
		REV	0																					