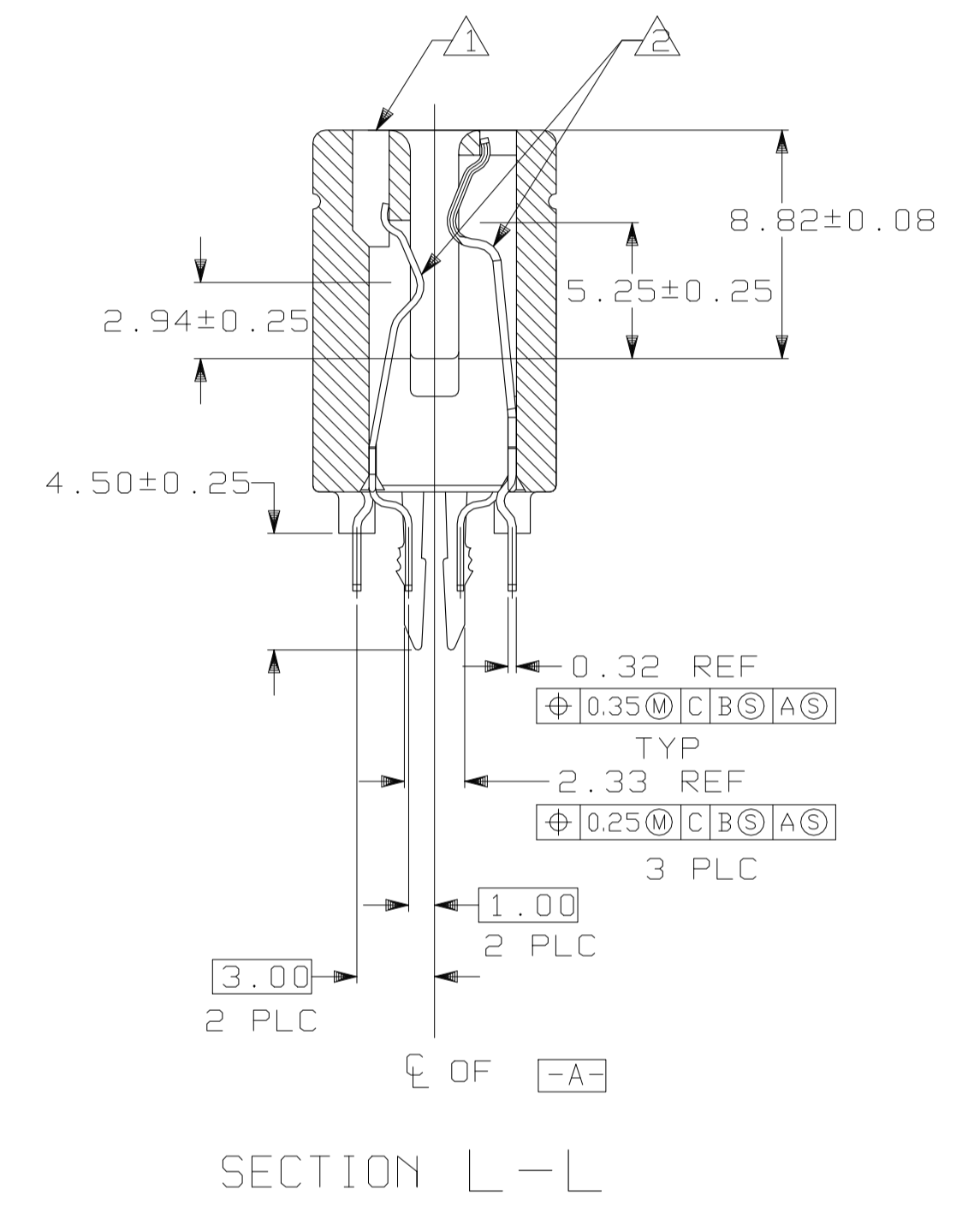
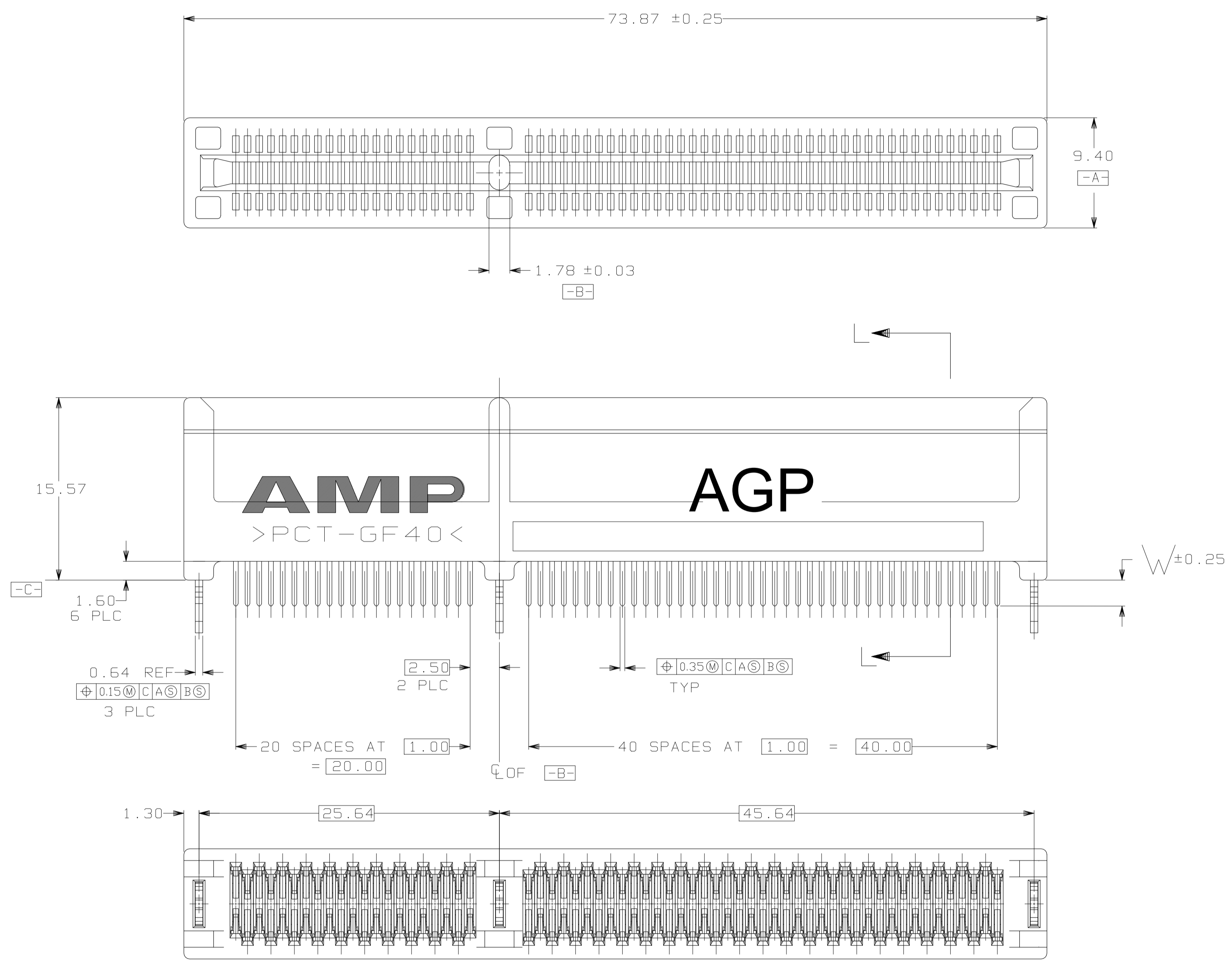


REVISIONS					
REV	DATE	DESCRIPTION	BY	CHK	APPV
A2	02AUG2024	REVISED PER ECN-24-282453	AP	CZ	



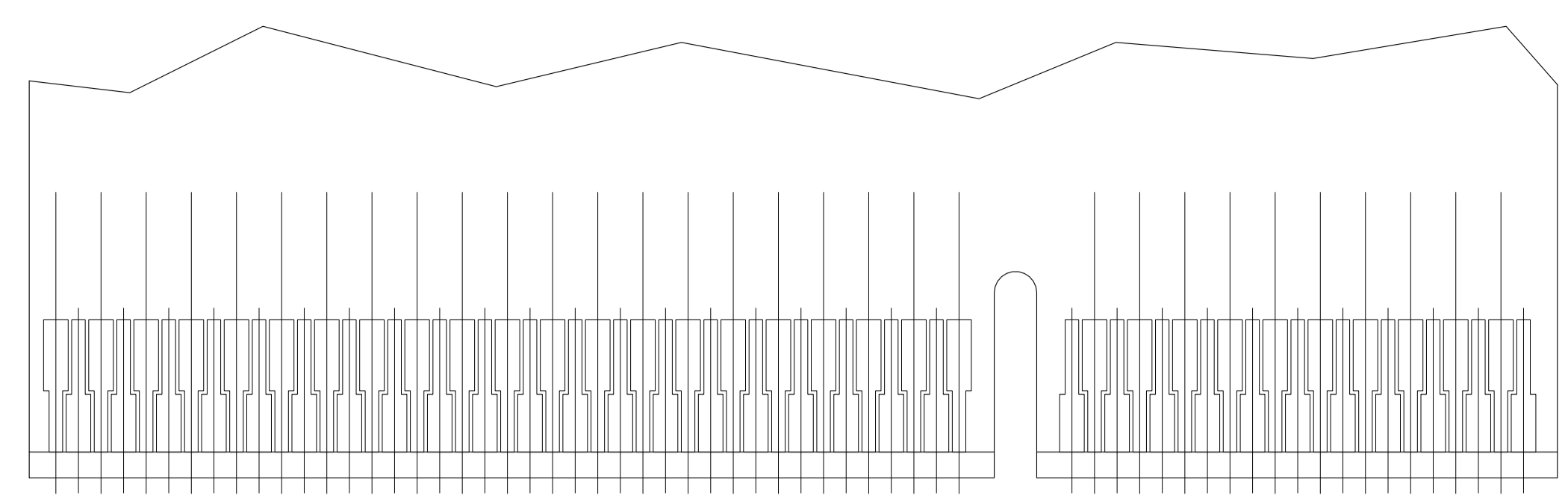
- ① MATERIAL: HOUSING, THERMOPLASTIC, COLOR: BROWN.  
CONTACTS, PHOSPHOR BRONZE.  
HOLD-DOWNS, BRASS.
- ② FINISH: CONTACTS, 1.27 MIN. MICROMETERS NICKEL ALL OVER,  
0.38 MIN. MICROMETERS GOLD OVER NICKEL IN CONTACT AREA,  
2.54 MIN MICROMETERS TIN OVER NICKEL ON SOLDER TAILS.
- ③ FINISH: CONTACTS, 1.27 MIN. MICROMETERS NICKEL ALL OVER,  
0.0254-0.0762 MICROMETERS GOLD OVER NICKEL IN CONTACT AREA.  
2.54 MIN. MICROMETERS TIN OVER NICKEL ON SOLDER TAILS.
- ④ FINISH: CONTACTS, 1.27 MIN. MICROMETERS NICKEL ALL OVER,  
0.38 MIN. MICROMETERS GOLD OVER NICKEL IN CONTACT AREA,  
0.05-0.15 MICROMETERS GOLD OVER NICKEL ON CONTACT SOLDER TAILS.

REV	DATE	DESCRIPTION	BY	CHK	APPV
2	2.54	5145263-8			
4	2.54	5145263-7			
3	3.18	5145263-6			
2	2.54	5145263-5			
2	3.18	5145263-3			
2	2.54	5145263-2			
2	2.16	5145263-1			

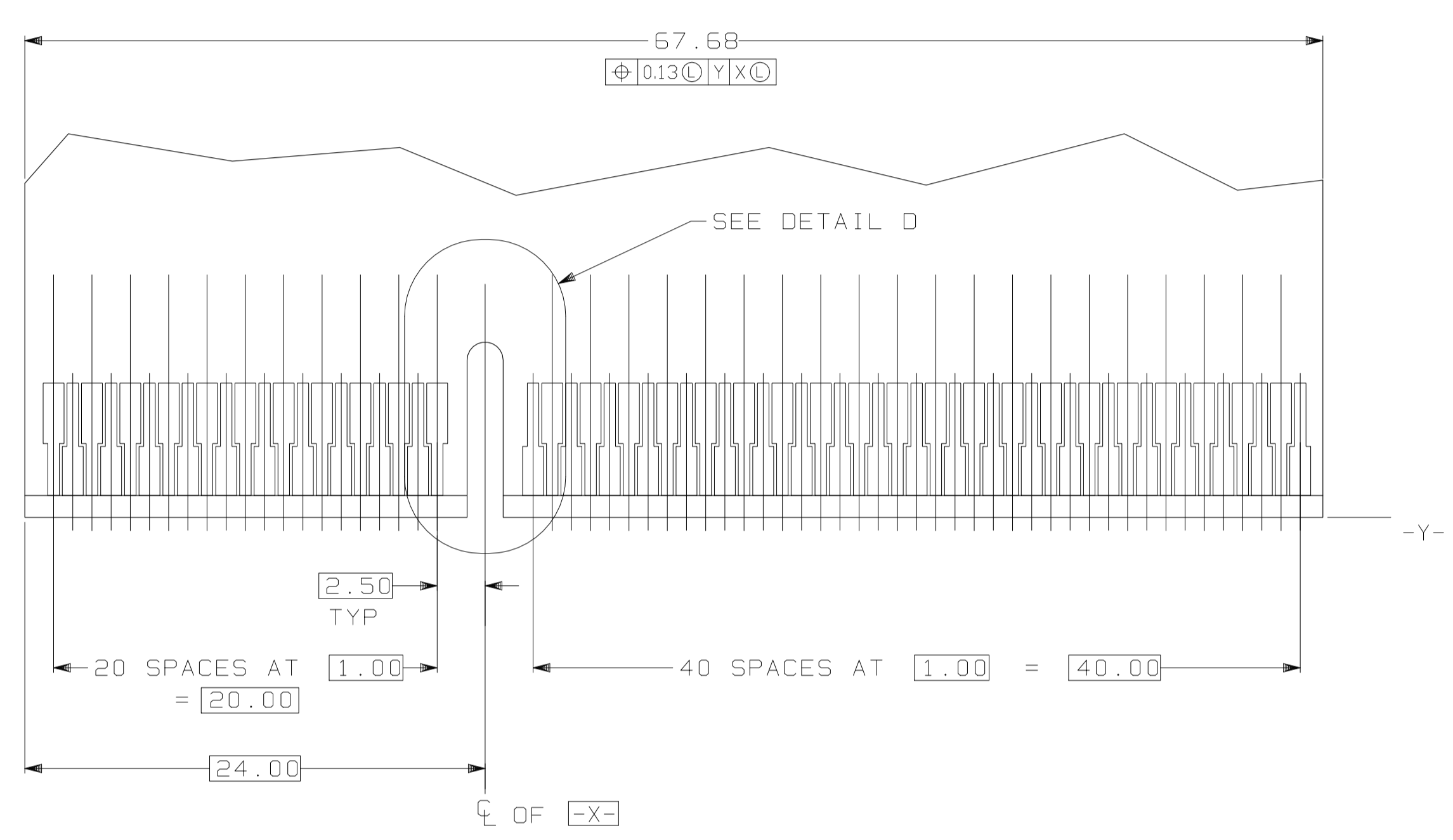
THIS DRAWING IS A CONTROLLED DOCUMENT.

DIMENSIONS:	TOLERANCES UNLESS OTHERWISE SPECIFIED:	DIN	23NOV04	STE	
mm	0 PLC ± -	CAVIN ZHANG	23NOV04	TE Connectivity	
	1 PLC ± -	STEVEN YAO	23NOV04		
	2 PLC ± 0.13	ENOMOTO	23NOV04		
	3 PLC ± -				
	4 PLC ± -				
	ANGLES ± °				
MATERIAL	FINISH	SIZE	CAGE CODE	DRAWING NO	RESTRICTED TO
①	②, ③	A1	00779	5145263	-
CUSTOMER DRAWING		SCALE	4:1	SHEET	1 OF 2
		REV	A2		

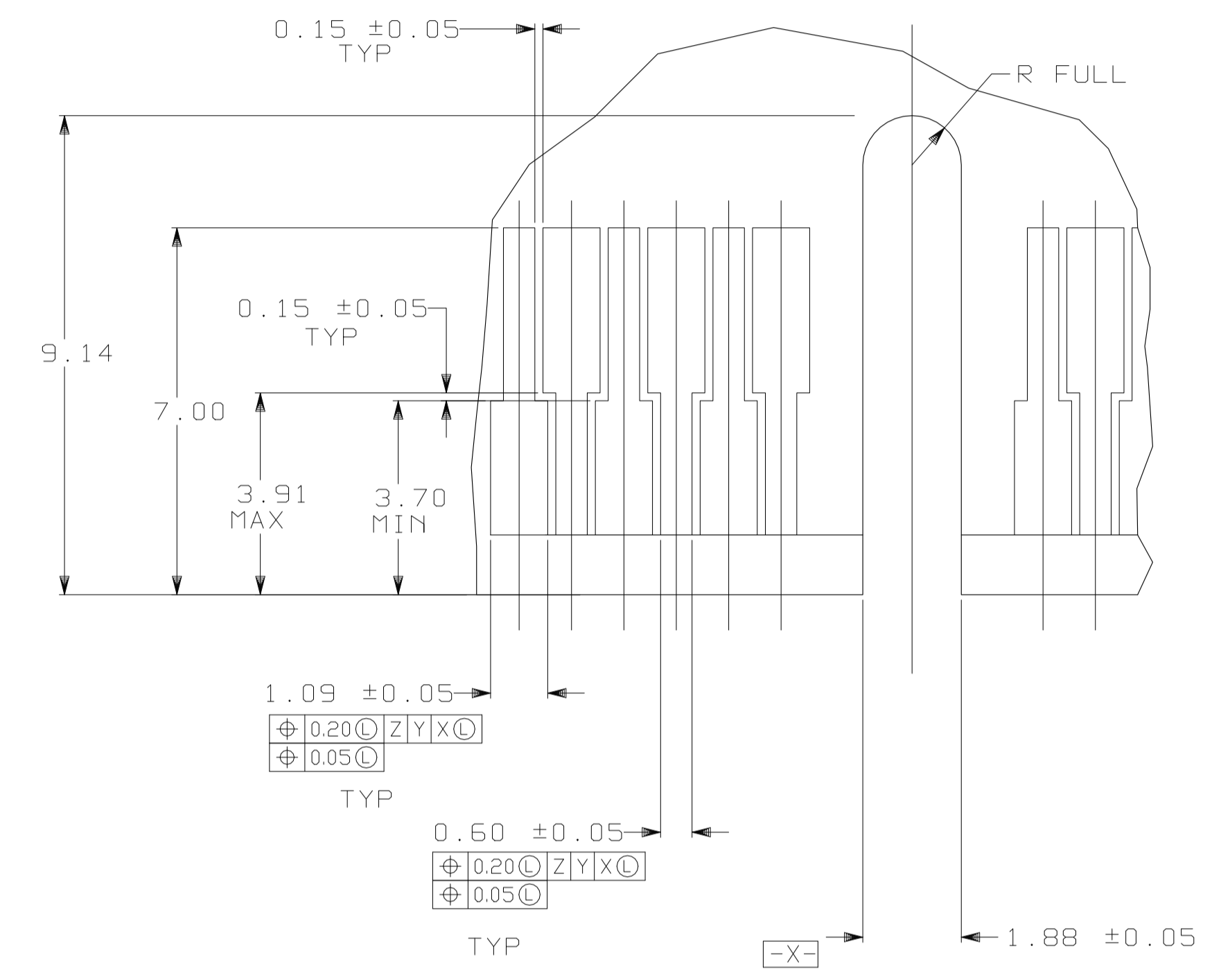
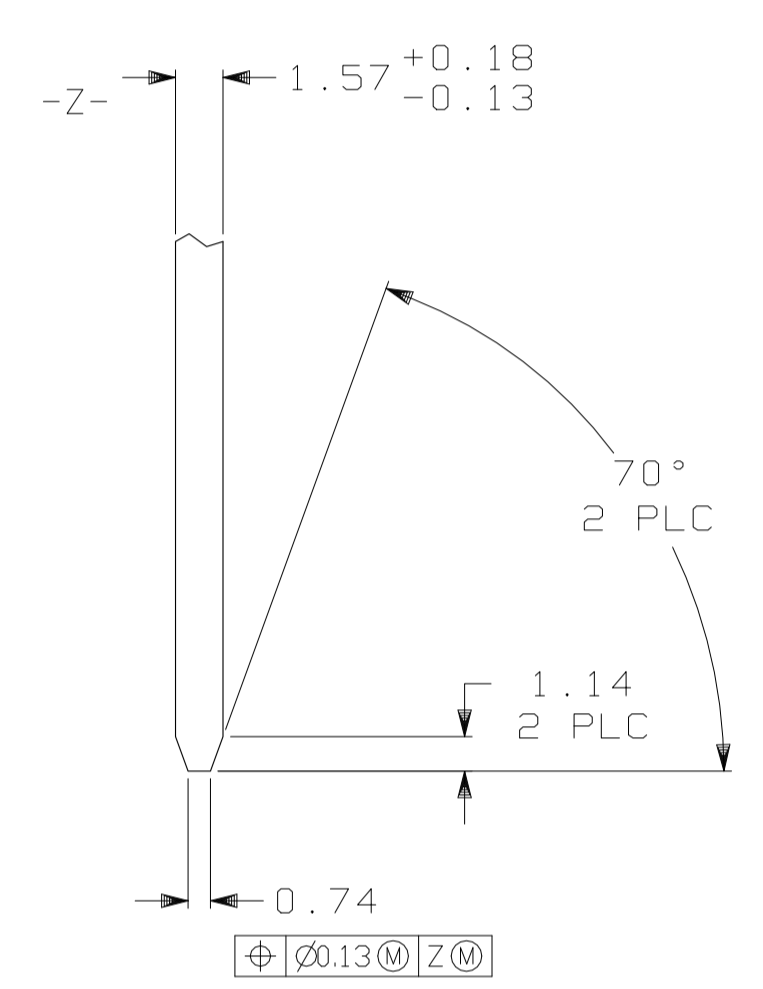
REVISIONS				
REV	DATE	BY	APP'D	DESCRIPTION
-	-	-	-	SEE SHEET 1



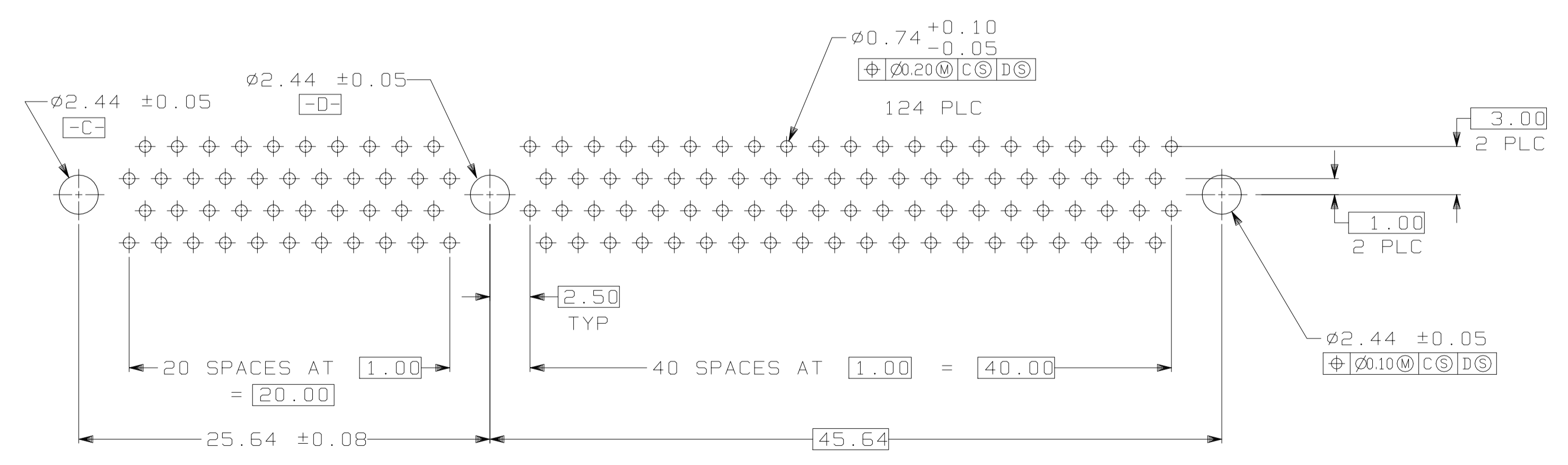
RECOMMENDED CONNECTOR MATING PAD PATTERN  
(SECONDARY SIDE SHOWN)



RECOMMENDED CONNECTOR MATING PAD PATTERN  
(PRIMARY SIDE SHOWN)



DETAIL D  
SCALE 10:1



RECOMMENDED CONNECTOR MOUNTING HOLE PATTERN  
(CONNECTOR SIDE SHOWN)

THIS DRAWING IS A CONTROLLED DOCUMENT.		DIN 23NOV04 GAVIN ZHANG		STE Connectivity	
DIMENSIONS: mm		TOLERANCES UNLESS OTHERWISE SPECIFIED:		STEVEN YAO	
0 PLC ± -		1 PLC ± -		23NOV04	
1 PLC ± -		2 PLC ± 0.13		NAME	
2 PLC ± -		3 PLC ± -		I. ENOMOTO	
3 PLC ± -		4 PLC ± -		PRODUCT SPEC	
4 PLC ± -		ANGLES ± °		APPLICATION SPEC	
MATERIAL		FINISH		SIZE CASE CODE DRAWING NO	
-		-		A1 00779 C=5145263	
CUSTOMER DRAWING		SCALE 4:1		SHEET 2 OF 2	
				REV A2	