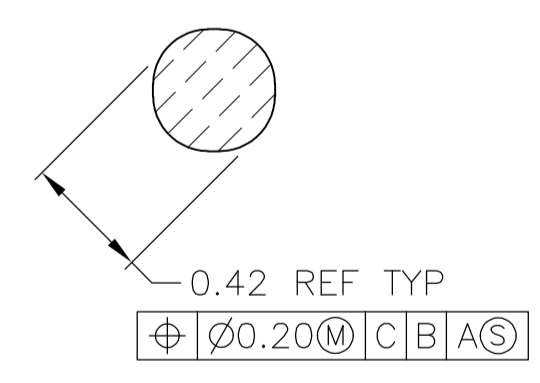
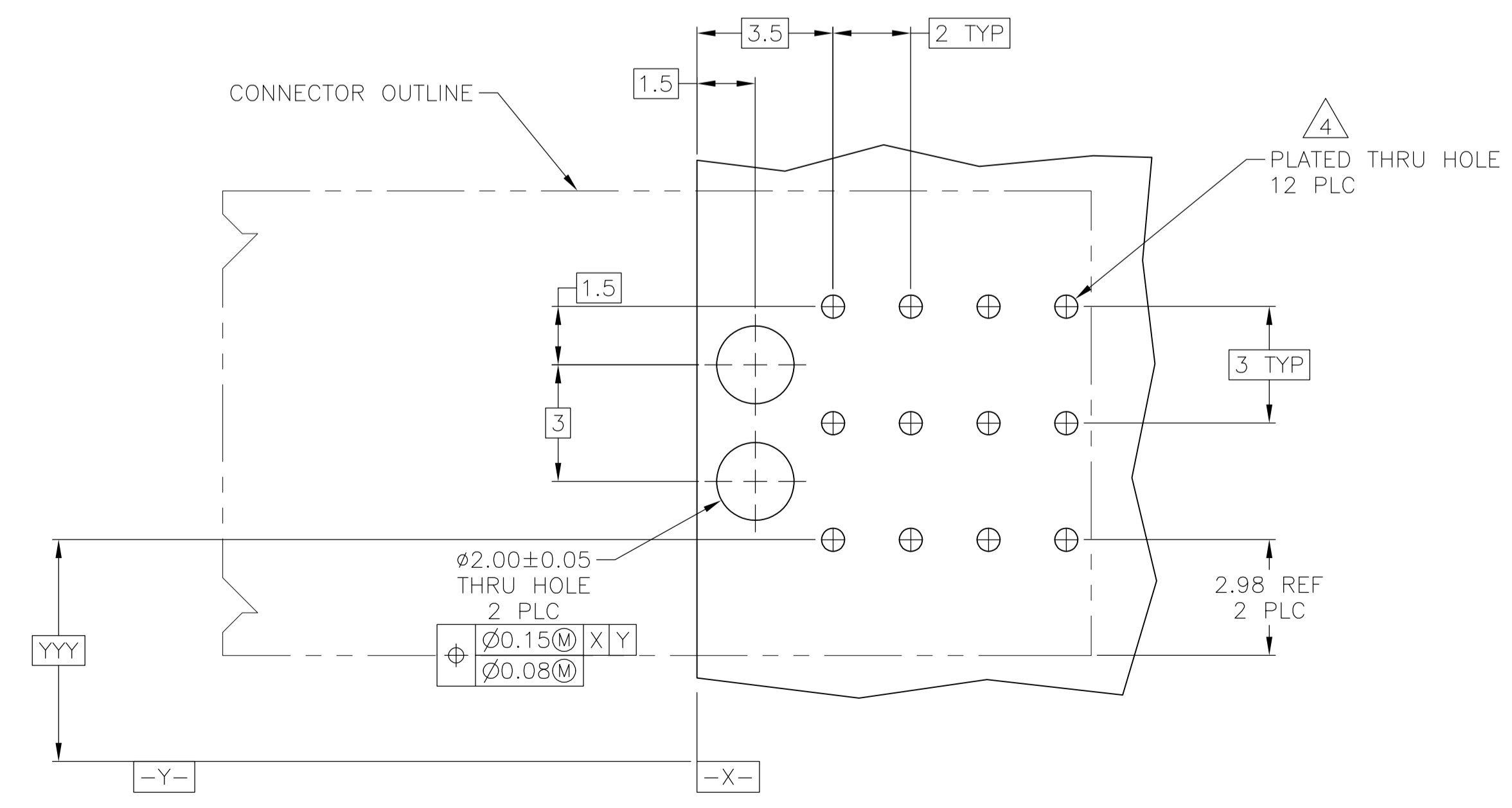
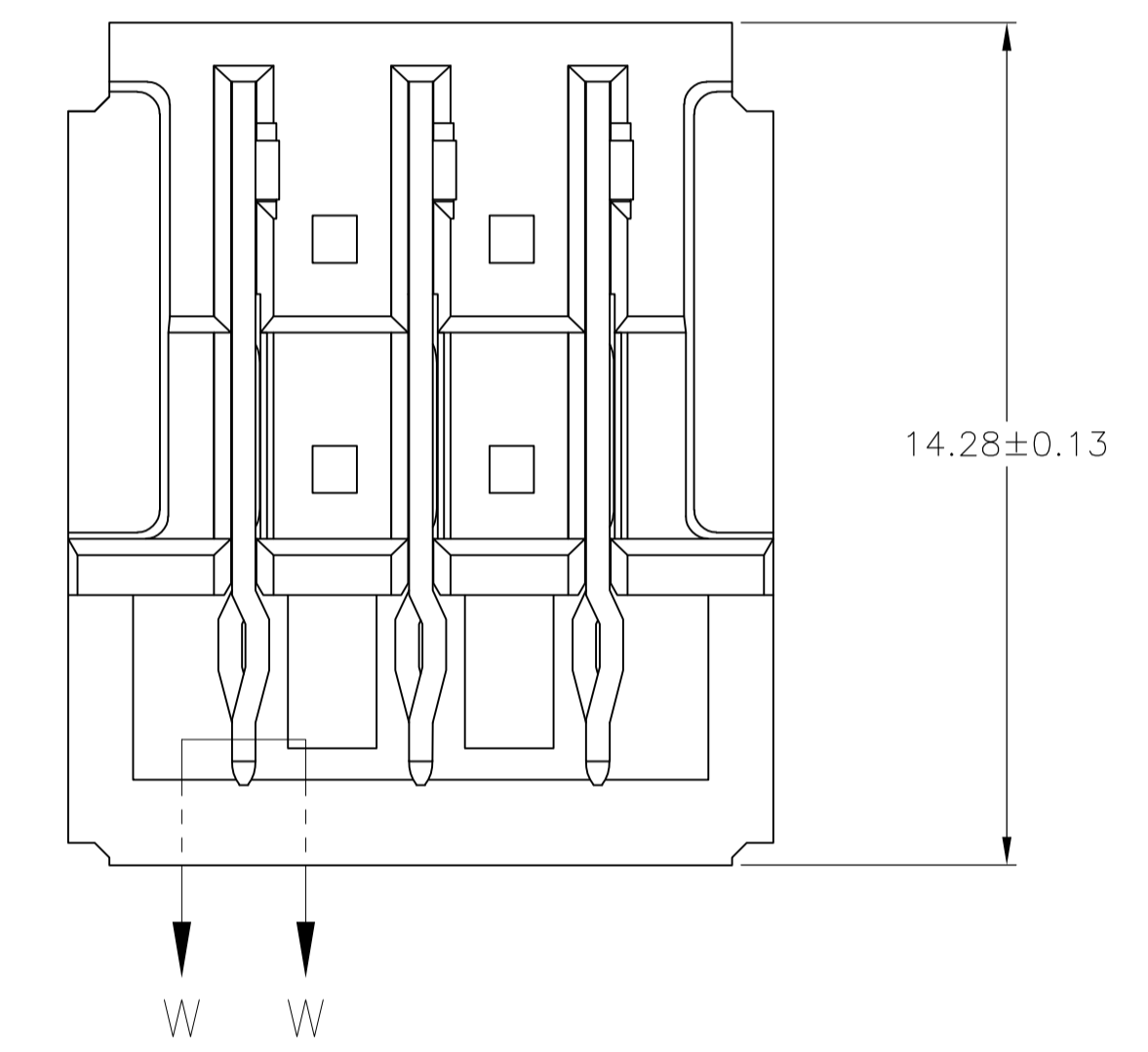


- ① HOUSING: POLYESTER, GRAY.
CONTACT: PHOSPHOR BRONZE.
- ② CONTACT: MATING AREA: 1.27µm MIN GOLD PLATE,
ACTION PIN AREA: 0.5µm MIN TIN PLATE,
ALL OVER 1.27µm MIN NICKEL UNDERPLATE.
- ③ CONTACT LUBRICATION WITH BELCORE APPROVED
LUBRICANT. TECHNICAL REFERENCE: TR-NWT-001217
ISSUE 1, SEPT 1992.
- ④ REFERENCE APPLICATION SPEC 114-1103 FOR
RECOMMENDED PLATED THRU HOLE DIAMETER AND
PLATING THICKNESS.



SECTION W-W
SCALE 40:1

RECOMMENDED PCB HOLE LAYOUT

② ③	5120912-1
FINISH	PART NUMBER

THIS DRAWING IS A CONTROLLED DOCUMENT.		DIN B CARBO 100EC04	Tyco Electronics Corporation Harrisburg, PA 17105-3608	
DIMENSIONS: mm		CHK R PATTERSON 100EC04	NAME R PATTERSON 100EC04	
TOLERANCES UNLESS OTHERWISE SPECIFIED:		PRODUCT SPEC		
0 PLC	±	APPLICATION SPEC		
1 PLC	± 0.13	SIZE CAGE CODE DRAWING NO RESTRICTED TO		
2 PLC	± 0.13	WEIGHT A1 00779 C=5120912		
3 PLC	±	CUSTOMER DRAWING SCALE 8:1 SHEET 1 OF 1 REV B		
4 PLC	±			
ANGLES	±			