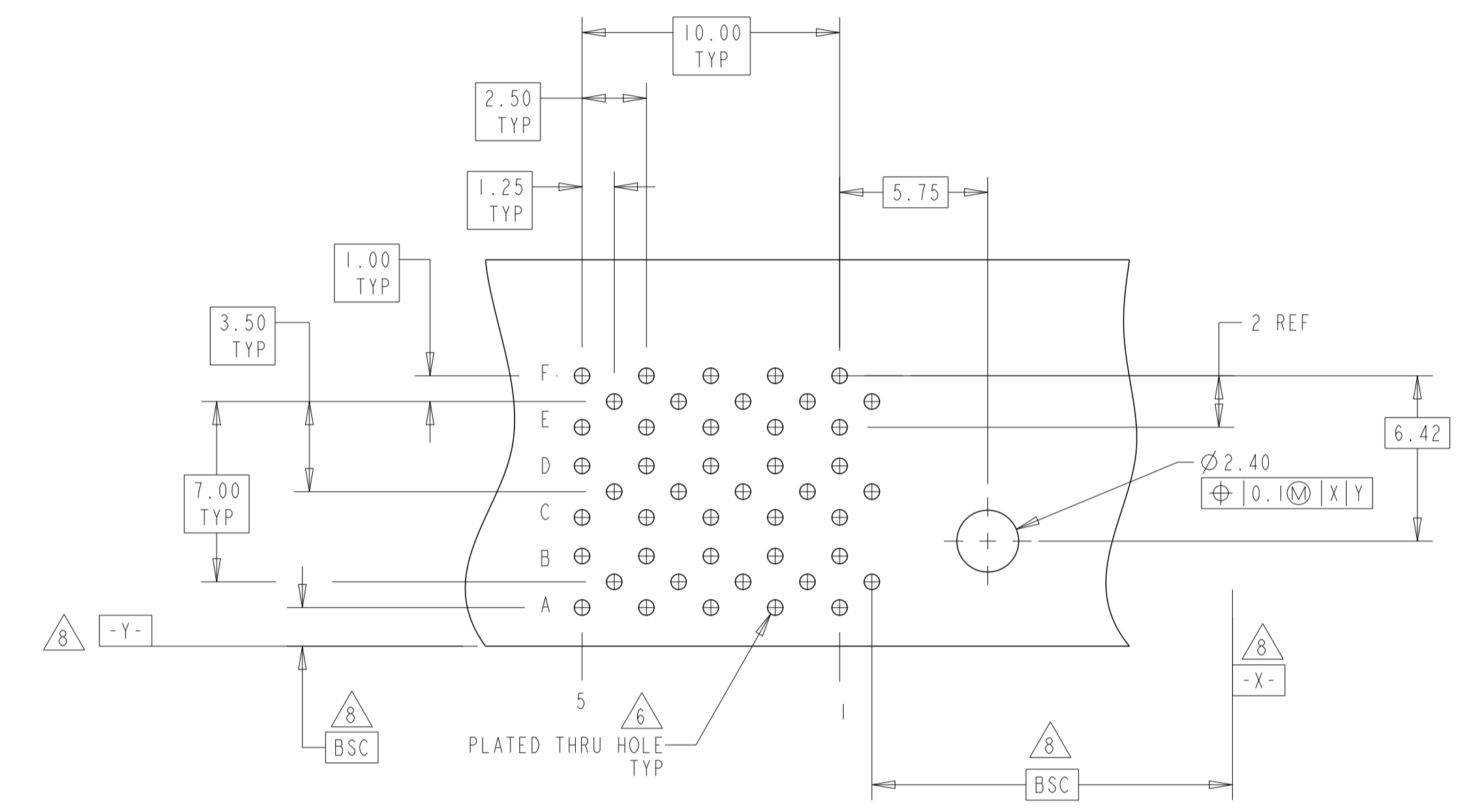
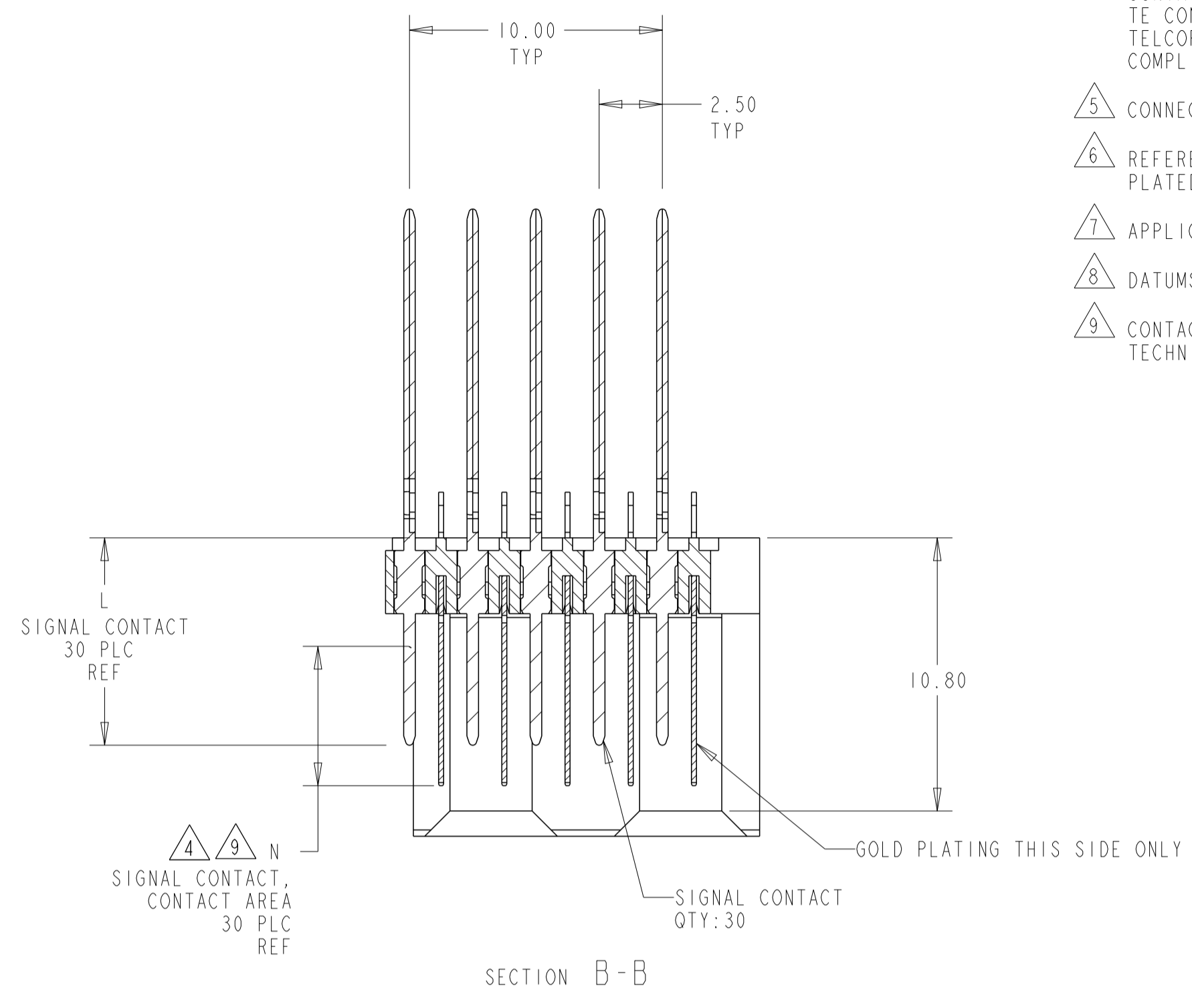
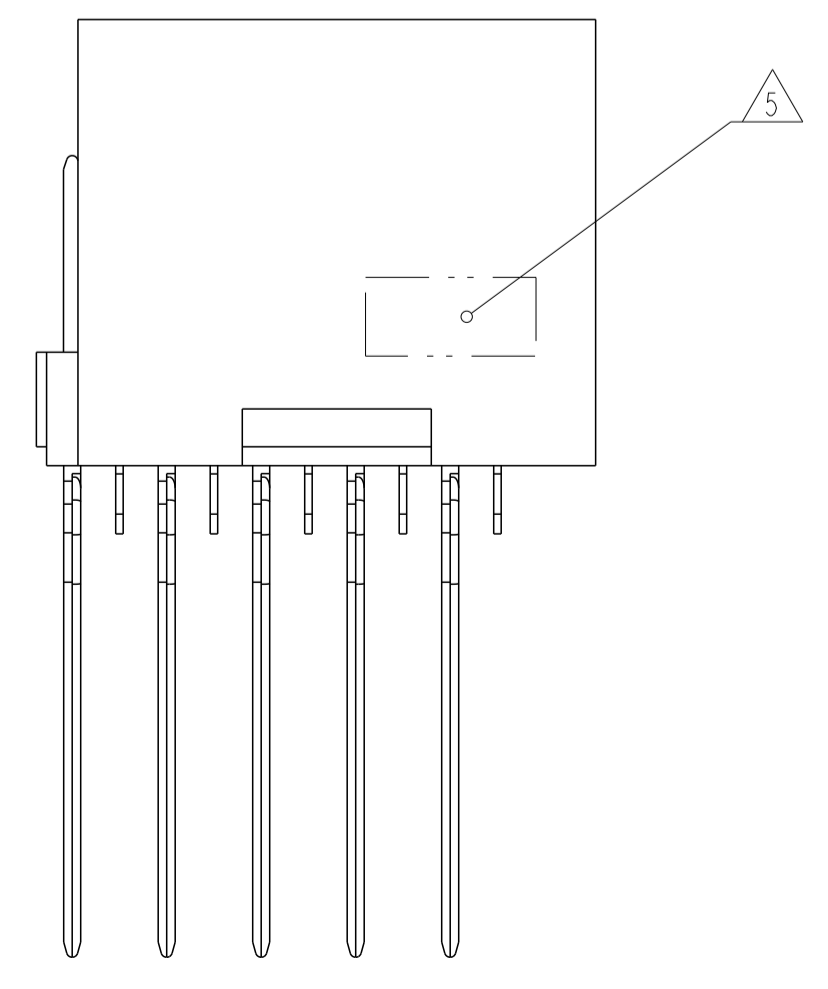
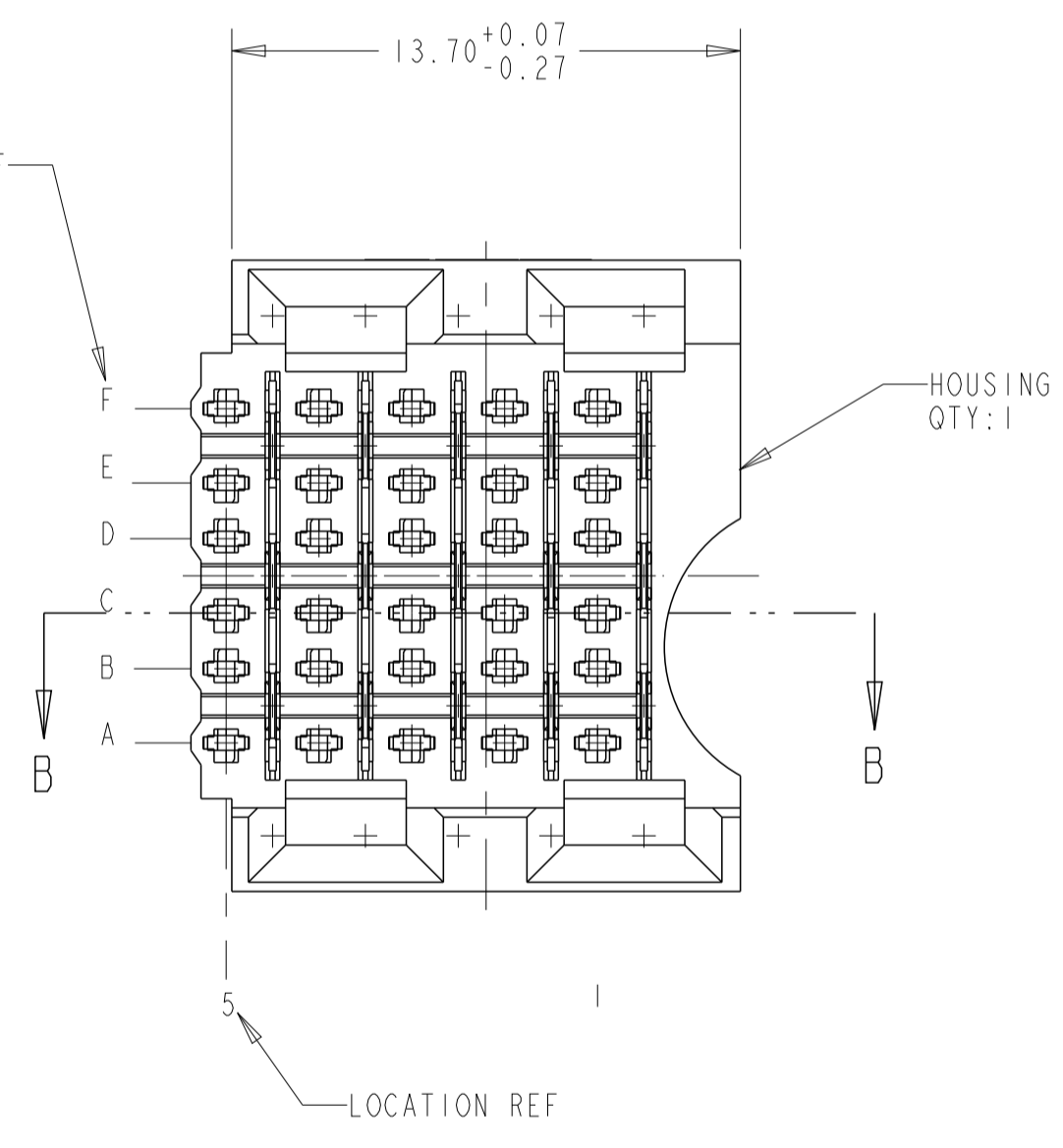
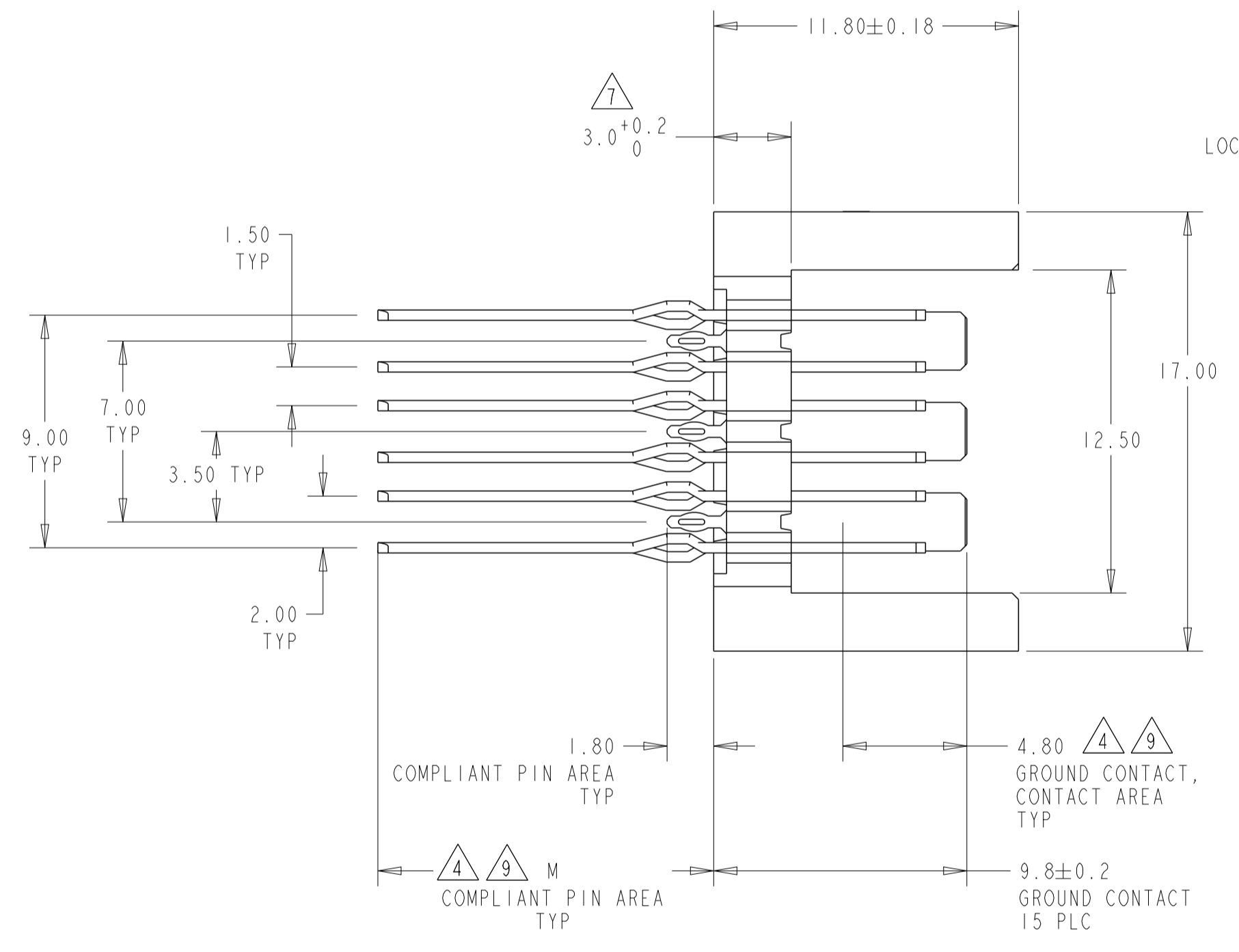


LOC	DIST	REVISIONS			
P	LTN	DESCRIPTION	DATE	DMN	APVD
A		REVISED PER ECO-12-017504	05OCT2012	KH	JE

- ② PHOSPHOR BRONZE
- ③ GLASS FILLED POLYESTER
- ④ FINISH:
CONTACT MATING AREA MEETS THE PERFORMANCE REQUIREMENTS OF
TE CONNECTIVITY PRODUCT SPECIFICATION 108-1957; BASED ON
TELCORDIA GR-1217-CORE, APPLICATIONS IN UNCONTROLLED ENVIRONMENTS.
COMPLIANT PIN AREA: 0.5µm MIN MATTE TIN OVER BASE PLATING.
- ⑤ CONNECTOR MARKED WITH PART NUMBER AND DATE CODE
- ⑥ REFERENCE APPLICATION SPEC 114-13020 FOR RECOMMENDED
PLATED THRU HOLE DIAMETER AND PLATING THICKNESS.
- ⑦ APPLICATION SEATING HEIGHT TO PRINTED CIRCUIT BOARD
- ⑧ DATUMS AND BASIC DIMENSIONS ESTABLISHED BY CUSTOMER
- ⑨ CONTACT AREA LUBRICATED WITH BELLCORE APPROVED LUBRICANT
TECHNICAL REFERENCE: GR-1217-CORE, ISSUE 1, NOVEMBER 1995



RECOMMENDED
PRINTED CIRCUIT BOARD
LAYOUT
COMPONENT SIDE OF PRINTED CIRCUIT BOARD



5.50	14.50	9.7	5120681-2
5.50	13.00	8.2	5120681-1
N	M	L	PART NUMBER

THIS DRAWING IS A CONTROLLED DOCUMENT.

DIMENSIONS:	TOLERANCES UNLESS OTHERWISE SPECIFIED:	DMN B. CARBO 07DEC04	CHK R. PATTERSON 07DEC04	APVD R. PATTERSON 07DEC04	NAME
mm	0 PLC ±	TE Connectivity			HEADER ASSEMBLY, 30 POSITION, FEED THROUGH, LEFT HAND, Z-PACK HS3
	1 PLC ±	SIZE	CAGE CODE	DRAWING NO	
	2 PLC ±0.13	A1	00779	5120681	RESTRICTED TO
	3 PLC ±0.05	CUSTOMER DRAWING			SCALE 5:1
	4 PLC ±	SHEET 1 OF 1			REV A
	ANGLES ±				
MATERIAL HOUSING: ③	FINISH				
CONTACTS: ②	SIGNAL CONTACT: ④				