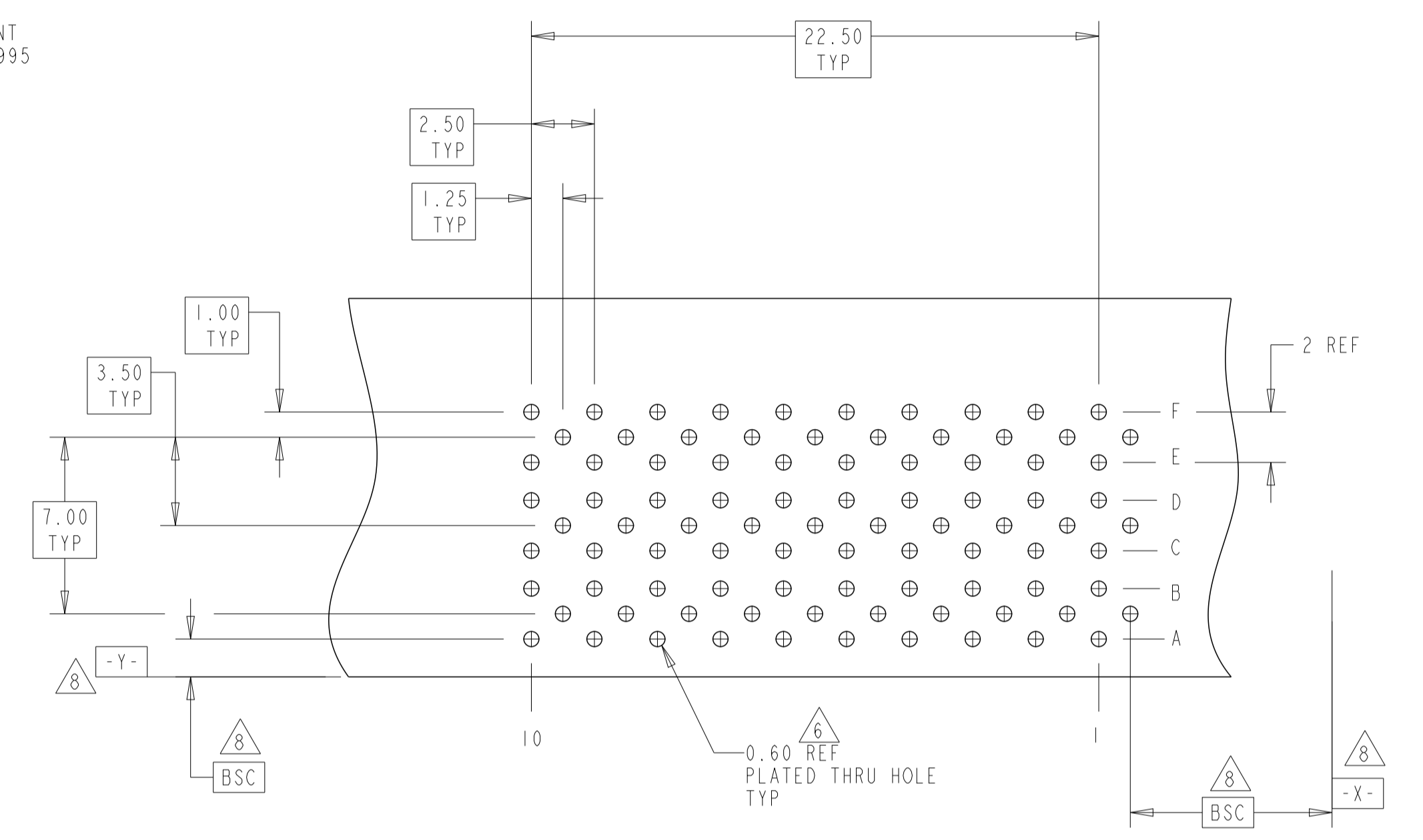
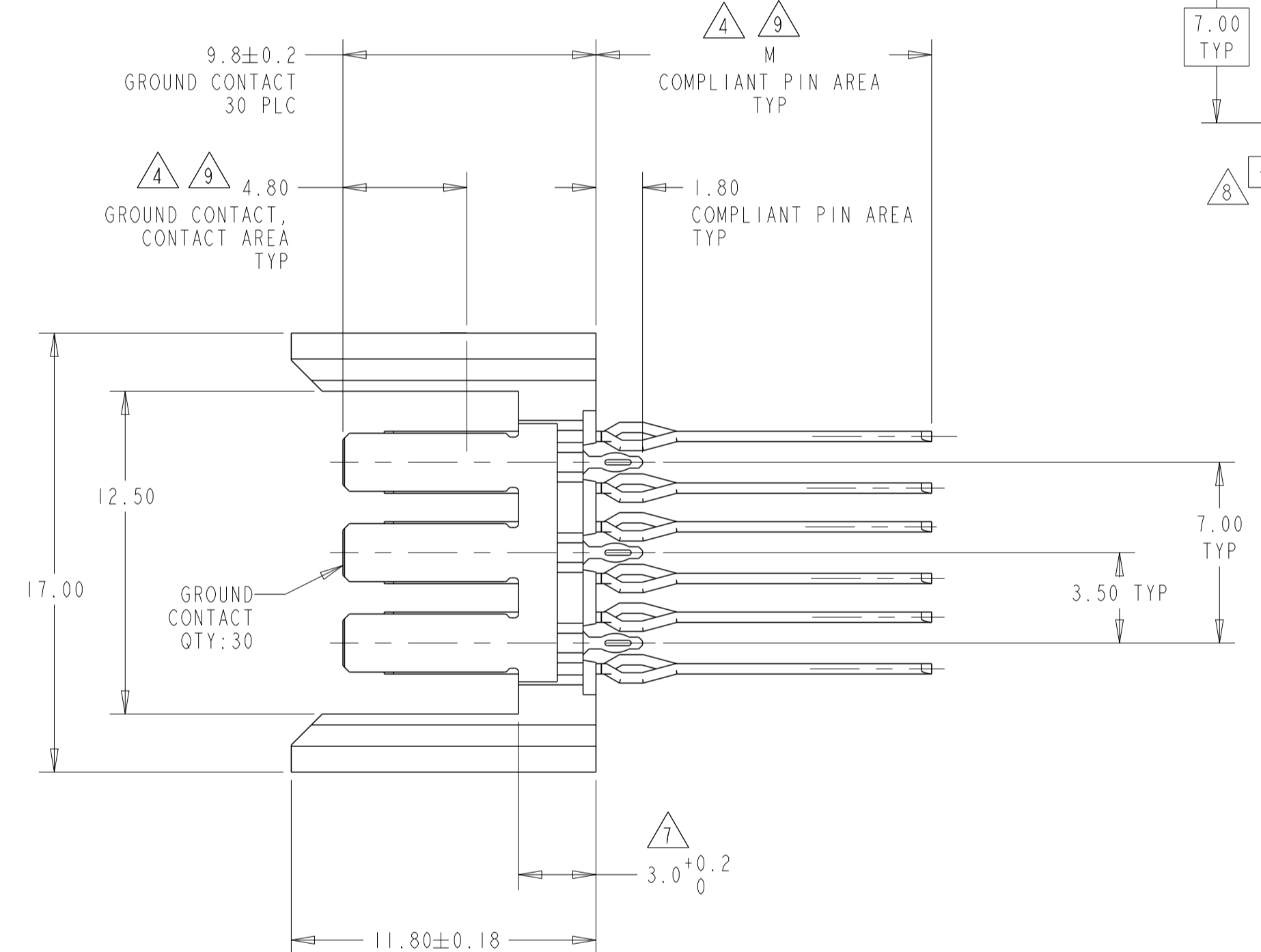
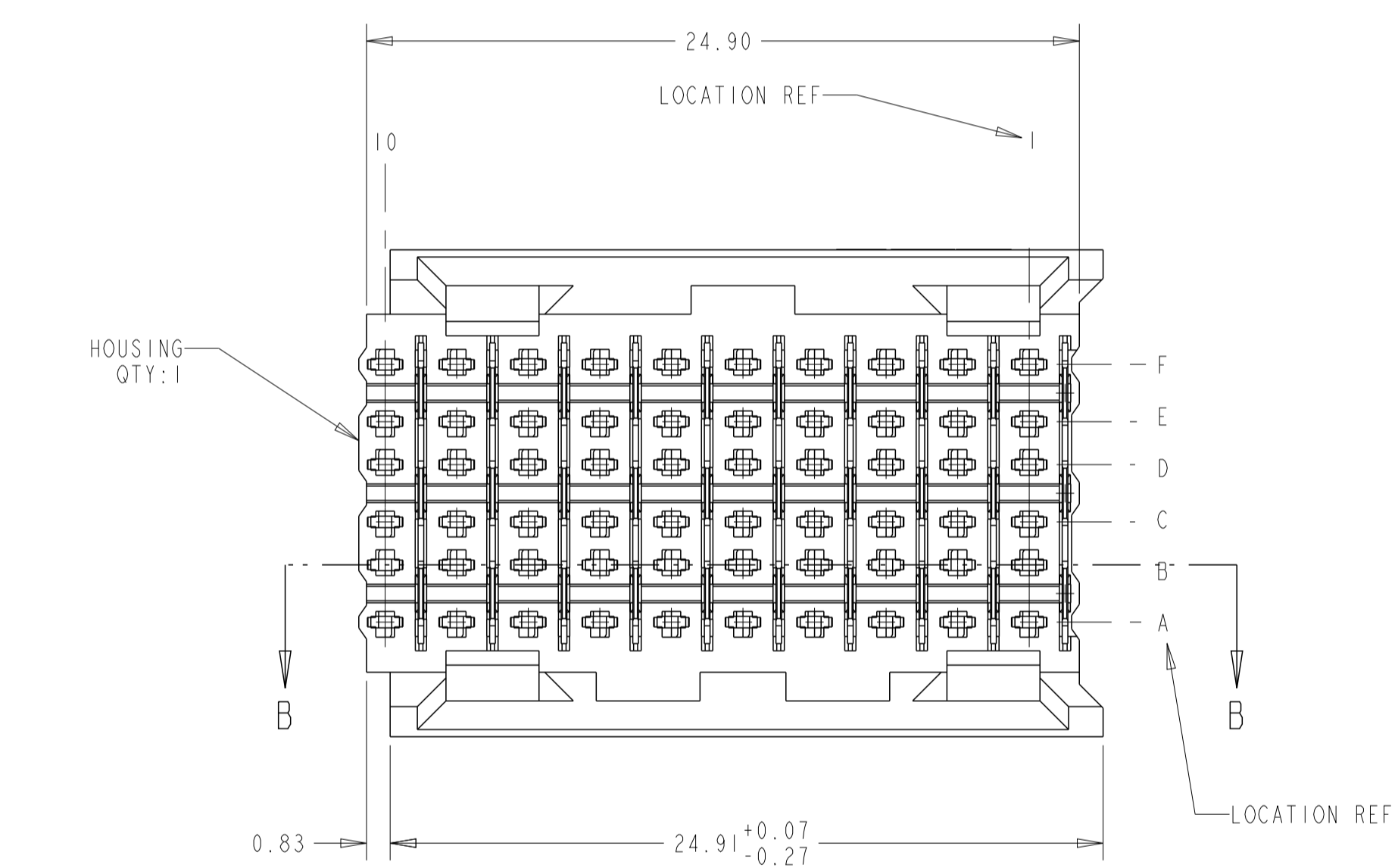
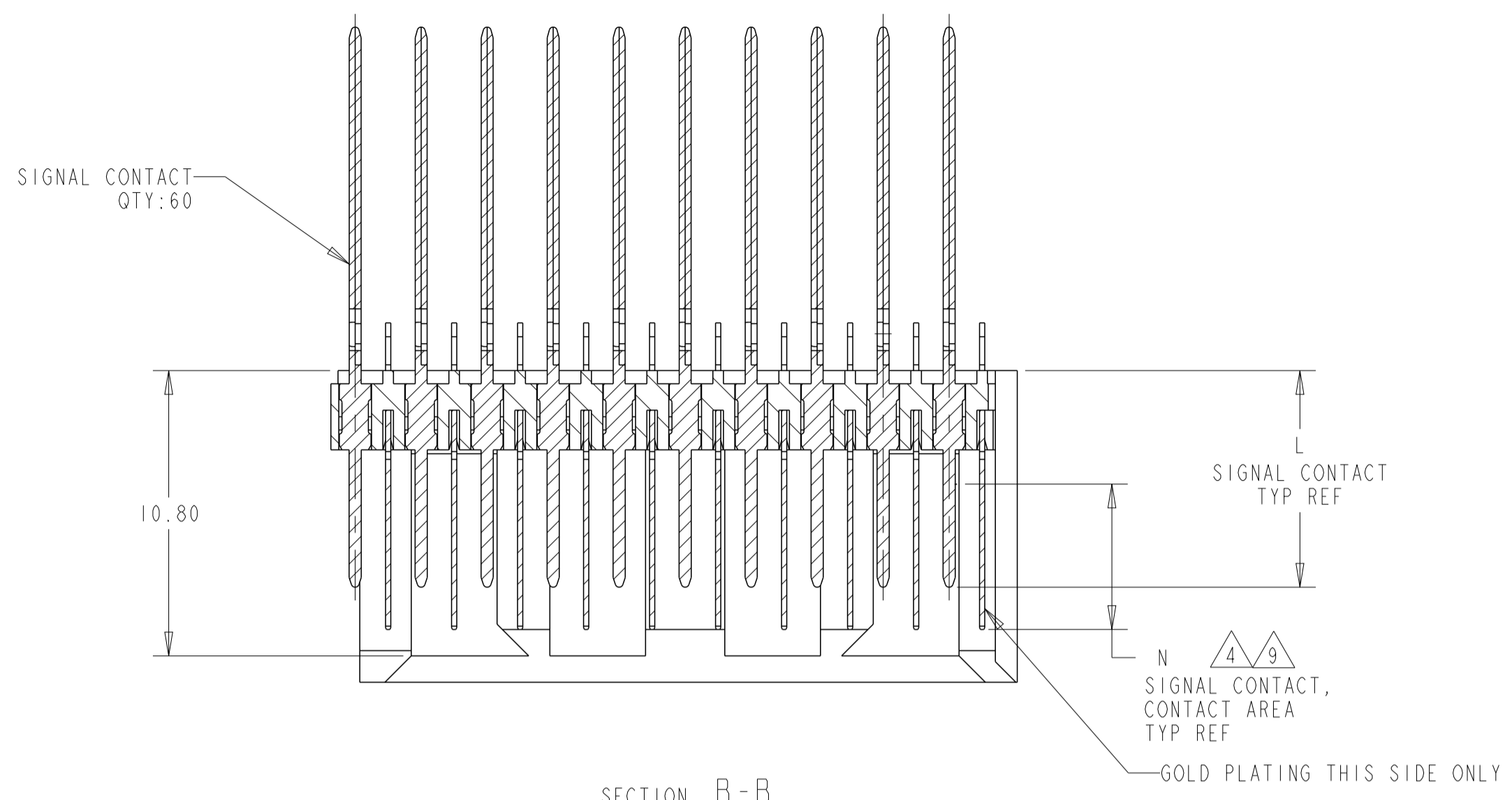
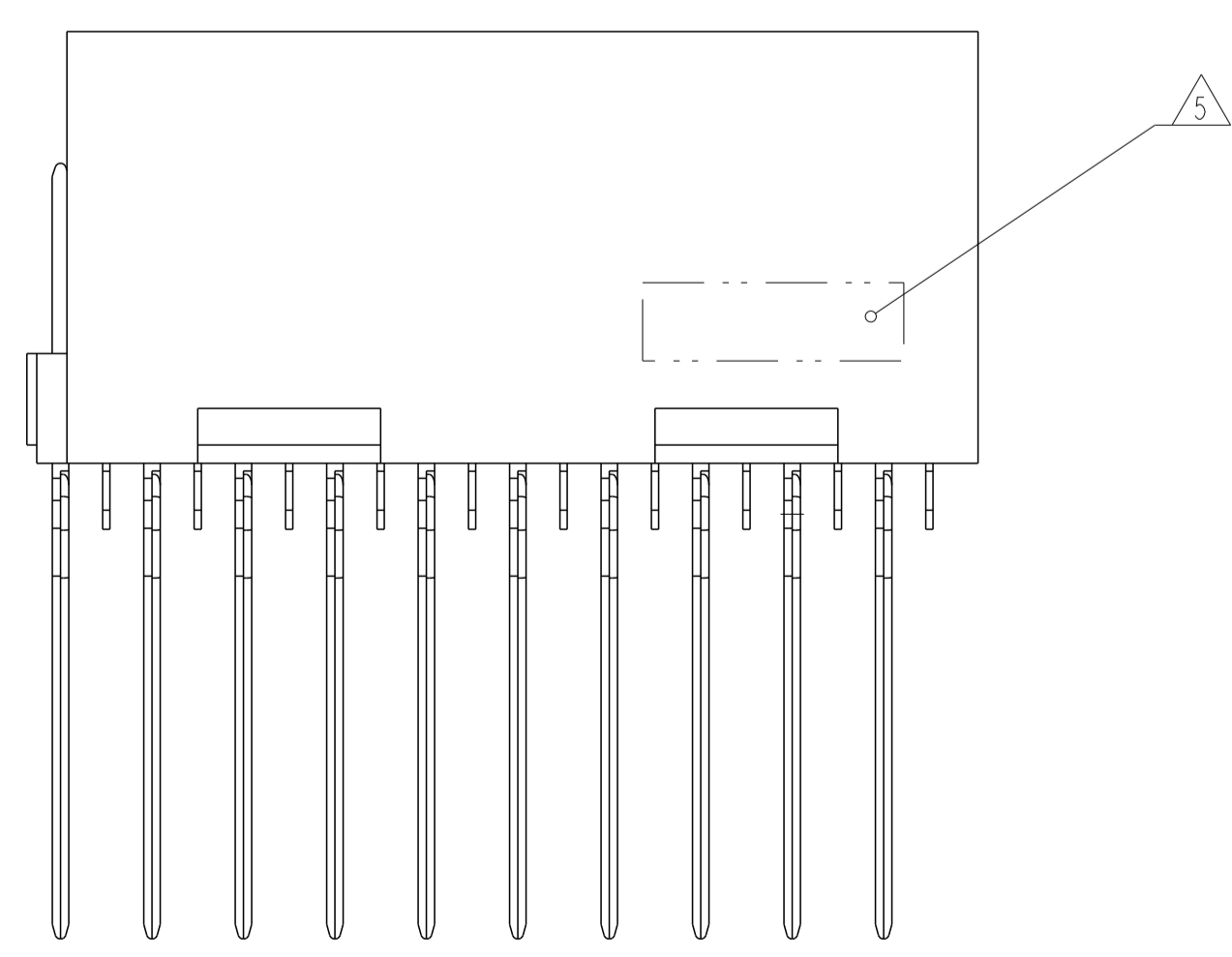


LOC	DIST	REV	DATE	DWN	APVD
AD	00	A	28SEP2012	KH	JE

- 2 PHOSPHOR BRONZE
- 3 LCP, UL94V-0
- 4 FINISH:
CONTACT MATING AREA MEETS THE PERFORMANCE REQUIREMENTS OF
TE CONNECTIVITY PRODUCT SPECIFICATION 108-1957; BASED ON
TELCORDIA GR-1217-CORE; APPLICATIONS IN UNCONTROLLED ENVIRONMENTS.
COMPLIANT PIN AREA: 0.5µm MIN MATTE TIN OVER BASE PLATING.
- 5 CONNECTOR MARKED WITH PART NUMBER AND DATE CODE
- 6 REFERENCE APPLICATION SPEC 114-13020 FOR RECOMMENDED
PLATED THRU HOLE DIAMETER AND PLATING THICKNESS.
- 7 APPLICATION SEATING HEIGHT TO PRINTED CIRCUIT BOARD
- 8 DATUMS AND BASIC DIMENSIONS ESTABLISHED BY CUSTOMER
- 9 CONTACT AREA LUBRICATED WITH BELLCORE APPROVED LUBRICANT
TECHNICAL REFERENCE: GR-1217-CORE, ISSUE 1, NOVEMBER 1995



RECOMMENDED
PRINTED CIRCUIT BOARD
LAYOUT
COMPONENT SIDE OF PRINTED CIRCUIT BOARD



5.50	14.50	9.7	5120679-2
5.50	13.00	8.2	5120679-1
N	M	L	PART NUMBER

THIS DRAWING IS A CONTROLLED DOCUMENT.

DIMENSIONS:	TOLERANCES UNLESS OTHERWISE SPECIFIED:	DWN B. CARBO 07DEC04	CHK R. PATTERSON 07DEC04	APVD H. PATTERSON 07DEC04
mm	0 PLC ±	NAME		
	1 PLC ±	R. PATTERSON		
	2 PLC ±0.13	PRODUCT SPEC		
	3 PLC ±0.05	APPLICATION SPEC		
	4 PLC ±	SIZE CAGE CODE DRAWING NO RESTRICTED TO		
	ANGLES ±	A1 00779 C=5120679		
MATERIAL HOUSING: 3	FINISH	WEIGHT	SCALE 5:1 SHEET 1 OF 1 REV A	
CONTACTS: 2	SIGNAL CONTACT: 4	Customer Drawing		

TE Connectivity

HEADER ASSEMBLY, 60 POSITION, 6 ROW, FEED THROUGH, BACKPLANE CONNECTOR, Z-PACK HS3