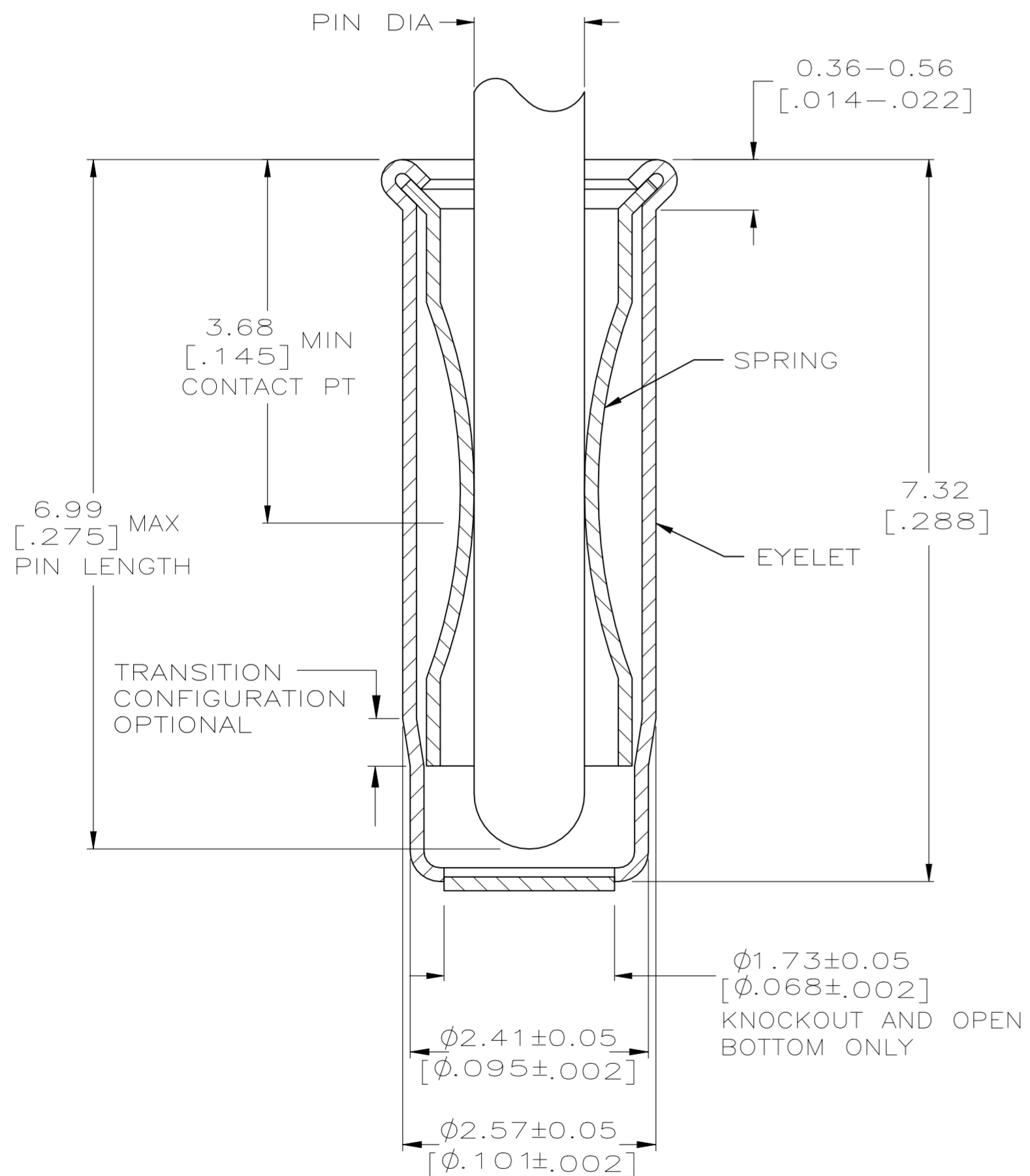
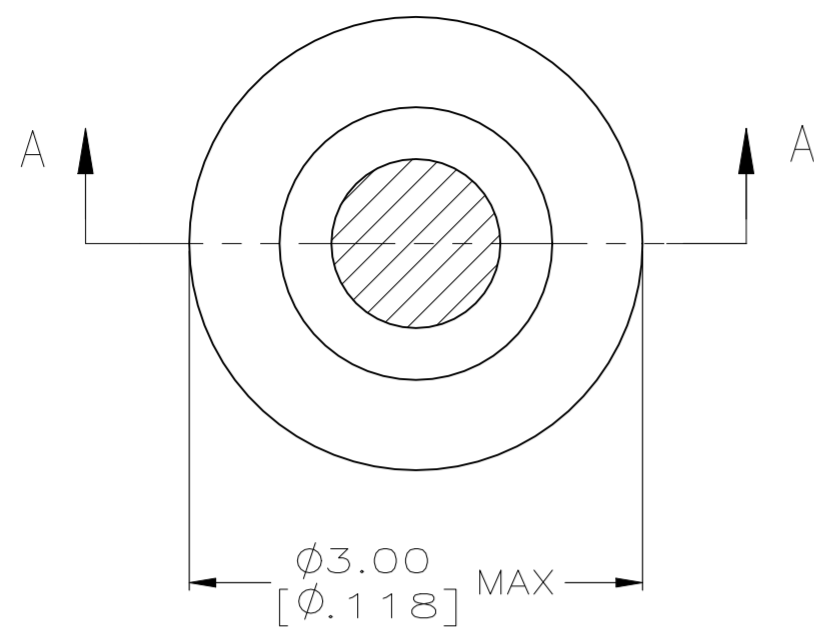


REVISIONS					
P	LTR	DESCRIPTION	DATE	DWN	APVD
AE9		REVISED AS PER ECR-24-199424	07FEB2024	NR	JK

11 PACKAGE: TAPE AND REEL.



SECTION A-A

- 1 TIN PER MIL-T-10727 OR TIN LEAD .000254 [.000100] MIN THK.
- 2 GOLD PER MIL-G-45204, TYPE II, 0.00076 [.000030] MIN THK OVER NICKEL PER QQ-N-290 0.00028 [.000011] MIN THK ON CONTACT AREA.
- 3 GOLD FLASH PER MIL-G-45204, TYPE II, 0.13 μ m [.000005] MIN THK. OVER NICKEL PLATE PER QQ-N-290 0.51 μ m-1.52 μ m [.000020-.000060] EXT THK.
- 4. RECOMMENDED HOLE SIZE, PLATED OR UNPLATED:
MACHINE INSERTION: 2.56 \pm 0.08 [.101 \pm .003]
HAND INSERTION: 2.62 $^{+0.10}_{-0.00}$ [.103 $^{+0.004}_{-0.000}$]
- 5. APPLICATION TOOL PART NUMBER:
MACHINE NO. 682127-6
INSERTION HEAD NO. 682039-5
- 6 TO INSURE PROPER SPRING TENSION DO NOT EXCEED A 0.05 [.002] DIFFERENCE IN PIN DIA WHEN CHANGING TO A SMALLER PIN.
- 7. BOTTOM PLUG KNOCKOUT TOOL PART NUMBER 69729 WITH TIP PART NUMBER 69728-3.
- 8 TIN PER ASTM B 545, 0.00254 [.000100] MIN THK.
- 9 MATERIAL: SPRING: BERYLLIUM COPPER, QQ-C-533.
EYELET: COPPER, QQ-C-576.
- 10 PACKAGE: MAYLAR STRIP.

11	10	CLOSED	1.27-1.45 [.050-.057]	GOLD 3	GOLD 2	3-50871-2
		CLOSED	1.27-1.45 [.050-.057]	GOLD 3	GOLD 2	7-50871-3
		CLOSED	1.07-1.24 [.042-.049]	TIN 8	TIN 8	6-50871-8
		CLOSED	1.07-1.24 [.042-.049]	TIN 8	TIN 1	3-50871-0
SUPSD BY 1-50871-4		CLOSED	1.27-1.45 [.050-.057]			2-50871-8
SUPSD BY 50871-5		CLOSED	1.07-1.24 [.042-.049]		GOLD 2	2-50871-7
OBSOLETE		KNOCKOUT		TIN 1	TIN 1	2-50871-6
OBSOLETE		OPEN				2-50871-5
OBSOLETE		CLOSED	1.42-1.65 [.056-.065]			2-50871-4
OBSOLETE		KNOCKOUT		GOLD 3	GOLD 2	2-50871-3
OBSOLETE		OPEN		TIN 1		2-50871-2
OBSOLETE		CLOSED	1.27-1.45 [.050-.057]	TIN 1	TIN 1	2-50871-1
OBSOLETE		OPEN		GOLD 3		1-50871-9
OBSOLETE		CLOSED	1.27-1.45 [.050-.057]	TIN 1	TIN 1	1-50871-8
OBSOLETE		OPEN		GOLD 3	GOLD 2	1-50871-7
OBSOLETE		CLOSED	1.27-1.45 [.050-.057]	TIN 1	TIN 1	1-50871-6
OBSOLETE		OPEN		TIN 1	TIN 1	1-50871-5
OBSOLETE		CLOSED	1.07-1.24 [.042-.049]	GOLD 3	GOLD 2	50871-8
OBSOLETE		KNOCKOUT		TIN 1	TIN 1	50871-6
OBSOLETE		OPEN		GOLD 3	GOLD 2	50871-5
OBSOLETE		CLOSED	1.07-1.24 [.042-.049]	TIN 1	GOLD 2	50871-4
OBSOLETE		KNOCKOUT		TIN 1		50871-3
OBSOLETE		OPEN		GOLD 3		50871-2
OBSOLETE		CLOSED	1.07-1.24 [.042-.049]	TIN 1	TIN 1	50871-1
OBSOLETE		OPEN		GOLD 3		50871
		BOTTOM TYPE	RECOMMENDED PIN DIA 6	EYELET	SPRING	PART NO

THIS DRAWING IS A CONTROLLED DOCUMENT. DWN R. TALLEY 20SEP05
CHK R. MILLER 8-22-91

DIMENSIONS: mm [INCHES] TOLERANCES UNLESS OTHERWISE SPECIFIED:
0 PLC \pm -
1 PLC \pm -
2 PLC \pm 0.20 [.008]
3 PLC \pm -
4 PLC \pm -
ANGLES \pm -

MATERIAL FINISH WEIGHT 0.000000

APVD - PRODUCT SPEC - APPLICATION SPEC -
NAME -
SCALE 20:1 SHEET 1 OF 1 REV AE9

TE Connectivity
MINIATURE SPRING SOCKET ASSEMBLY
SERIES 5

SIZE CAGE CODE DRAWING NO RESTRICTED TO
A2 00779 C=50871 -

CUSTOMER DRAWING