

REVISIONS

P	LTR	DESCRIPTION	DATE	DWN	APVD
	A1	NEW RELEASE	20DEC2018	GCM	JDB

⚠ Material:

COVER : Black PF2A5-151J, UL-94-V0  
 HEADER : Black PF2A5-151J, UL-94-V0  
 SOLDER PIN: CP WIRE  
 SOLDER PIN PLATING: 4 μm (157 μinch) MIN. 100% TIN,  
 8 μm (315 μinch) MIN. COPPER OVER ALL

- 2 THE PART IS RECOMMENDED FOR WAVE SOLDERING PROCESS  
 SOLDERING: TEMPERATURE +260 ±5 °C, 10 ±1 s
- 3 OPERATING TEMPERATURE: T= -40 °C TO +85 °C
- 4 STORAGE TEMPERATURE: T= -40 °C TO +85 °C
- 5 MEET IEEE 802.3u REQUIRMENT
- ⚠ UNLESS OTHERWISE SPECIFIED, SEE TABLE FOR ALL DIMENSIONS TOLERANCES
- 7 PACKAGING: TUBE ACCORDING TO PACKAGING SPECIFICATION 107-18128

SUGGESTED PCB LAYOUT

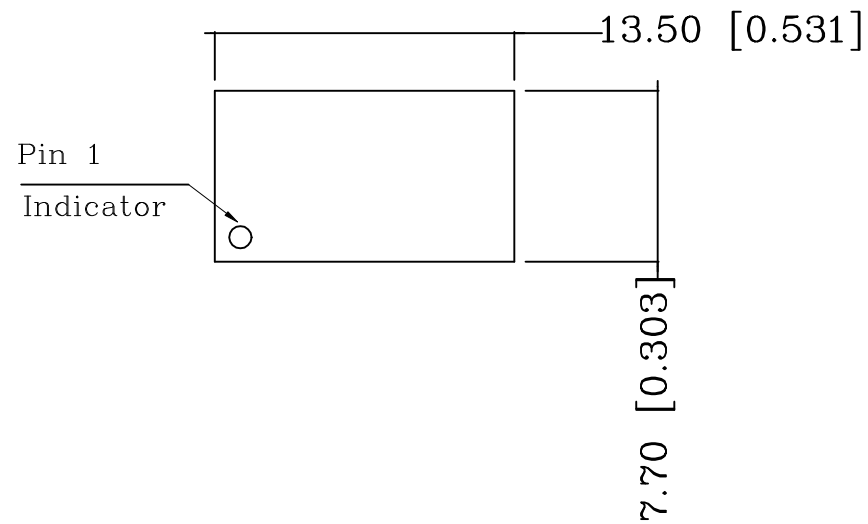
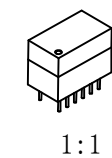
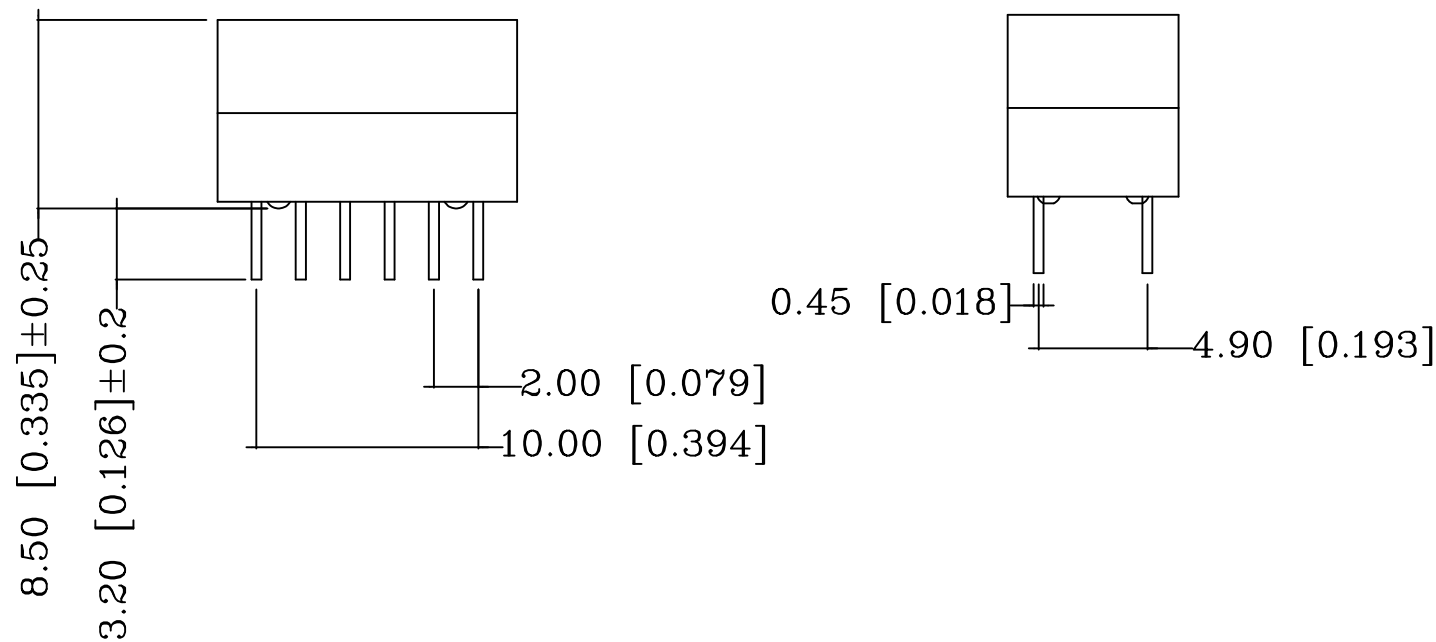
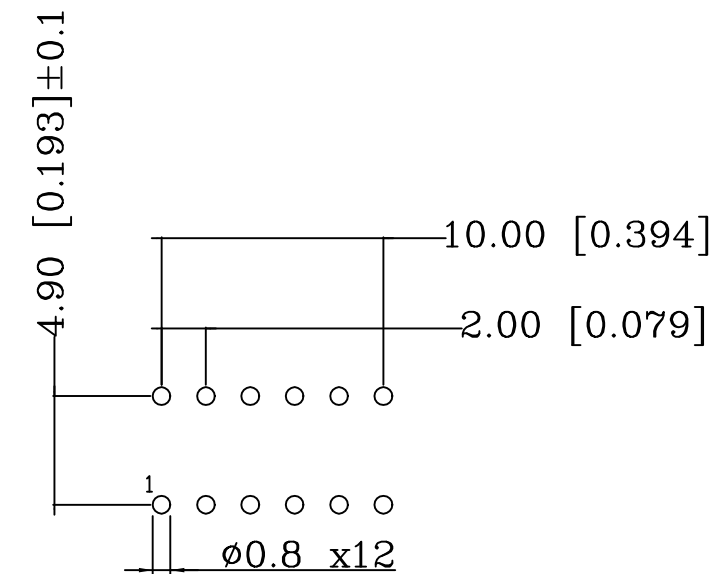


TABLE OF TOLERANCE (mm)	
RANGE	TOLERANCE
0-10	±0.15
>10-40	±0.25
>40-70	±0.30
>70	±0.40

THIS DRAWING IS A CONTROLLED DOCUMENT.		DWN GANESH C M 20DEC2018	TE Connectivity														
DIMENSIONS: mm [INCHES]		CHK A.C. NGOUMGANG 20DEC2018															
TOLERANCES UNLESS OTHERWISE SPECIFIED:		APVD J. DE BRUIJN 20DEC2018	NAME DISCR.ETH.MAG. 10/100 SINGLE THT														
<table border="0"> <tr><td>0 PLC</td><td>± -</td><td rowspan="5">⚠</td></tr> <tr><td>1 PLC</td><td>± -</td></tr> <tr><td>2 PLC</td><td>± -</td></tr> <tr><td>3 PLC</td><td>± -</td></tr> <tr><td>4 PLC</td><td>± -</td></tr> <tr><td>ANGLES</td><td>± -</td></tr> </table>		0 PLC	± -	⚠	1 PLC	± -	2 PLC	± -	3 PLC	± -	4 PLC	± -	ANGLES	± -	PRODUCT SPEC 108-94693	SIZE A3	
0 PLC	± -	⚠															
1 PLC	± -																
2 PLC	± -																
3 PLC	± -																
4 PLC	± -																
ANGLES	± -																
MATERIAL ⚠		APPLICATION SPEC 114-94555	CAGE CODE 00779	DRAWING NO G=5-2337823-1													
FINISH ⚠		WEIGHT	RESTRICTED TO -														
		CUSTOMER DRAWING	SCALE 4:1	SHEET 1 of 2													
			REV A1														

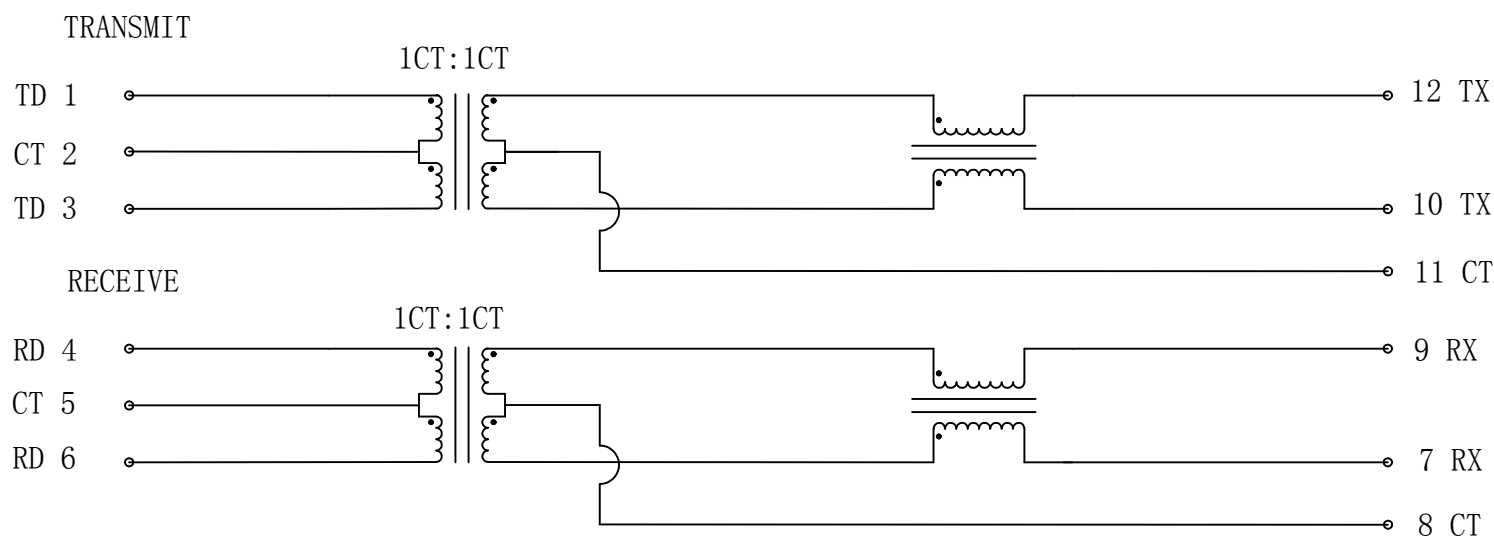
THIS DRAWING IS UNPUBLISHED RELEASED FOR PUBLICATION - ,2018.

© COPYRIGHT - 2017 by TE Connectivity Germany GmbH ALL RIGHTS RESERVED.

REVISIONS

P	LTR	DESCRIPTION	DATE	DWN	APVD
-	-	SEE SHEET 1	-	-	-

CIRCUIT DIAGRAM



Electrical Specifications @ 25 °C (Unless other specified meet IEEE 802.3 Specification)		
Turn Ratio	1CT:1CT ±2%	
Inductance (OCL) @100kHz/0.1V with 8mA DC Bias	350 µH min.	
Insertion Loss	0.1-100MHz	-1 dB max.
Return Loss (Zout = 100 OHMS)	1-30MHz	-18 dB min.
	40MHz	-14.4 dB min.
	50MHz	-13.1 dB min.
Crosstalk	80MHz	-12 dB min.
	30MHz	-40 dB min.
	60MHz	-35 dB min.
DCMR	100MHz	-30 dB min.
	30MHz	-40 dB min.
	60MHz	-35 dB min.
Isolation Voltage (Input - Output)	100MHz	-30 dB min.
	1500 Vrms	



CONTROL CODE

DATE CODE

"0213"

YY-YEAR

WW-WEEK

THIS DRAWING IS A CONTROLLED DOCUMENT.		DWN GANESH C M 20DEC2018	TE Connectivity NAME DISCR.ETH.MAG. 10/100 SINGLE THT	
DIMENSIONS: mm [INCHES]		CHK A.C. NGOUMGANG 20DEC2018		
TOLERANCES UNLESS OTHERWISE SPECIFIED:		APVD J. DE BRUIJN 20DEC2018	DRAWING NO	
0 PLC ± - 1 PLC ± - 2 PLC ± - 3 PLC ± - 4 PLC ± - ANGLES ± -		PRODUCT SPEC 108-94693	CAGE CODE	
MATERIAL		APPLICATION SPEC 114-94555	DRAWING NO	
FINISH		WEIGHT	DRAWING NO	
1		SIZE A3		RESTRICTED TO
1		CAGE CODE 00779		REV
		DRAWING NO 5-2337823-1		A1
		SCALE 4:1		
		SHEET 2 of 2		
		CUSTOMER DRAWING		