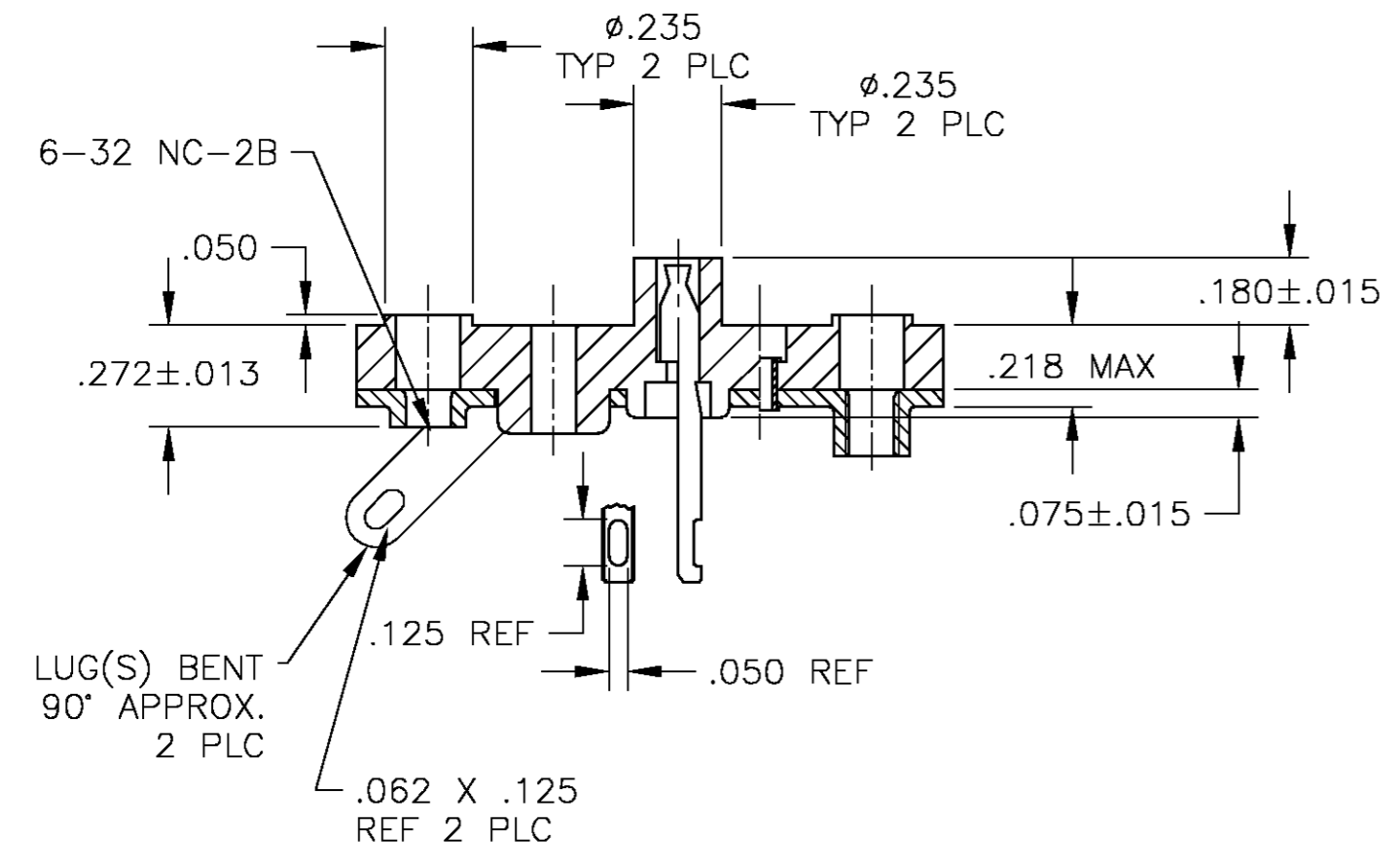
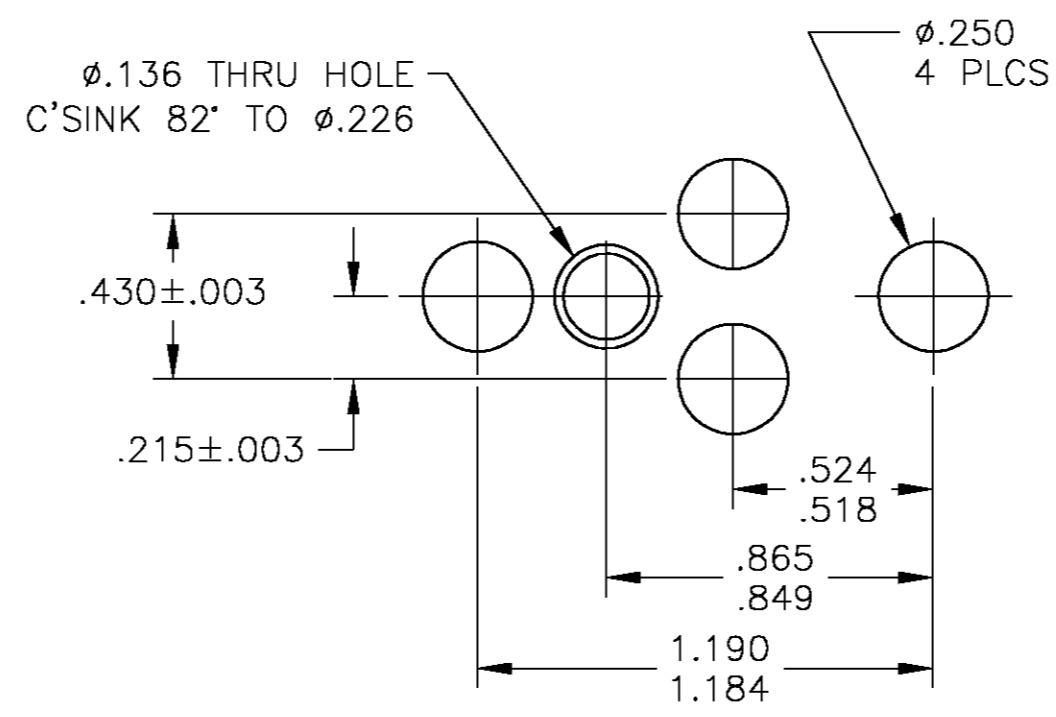
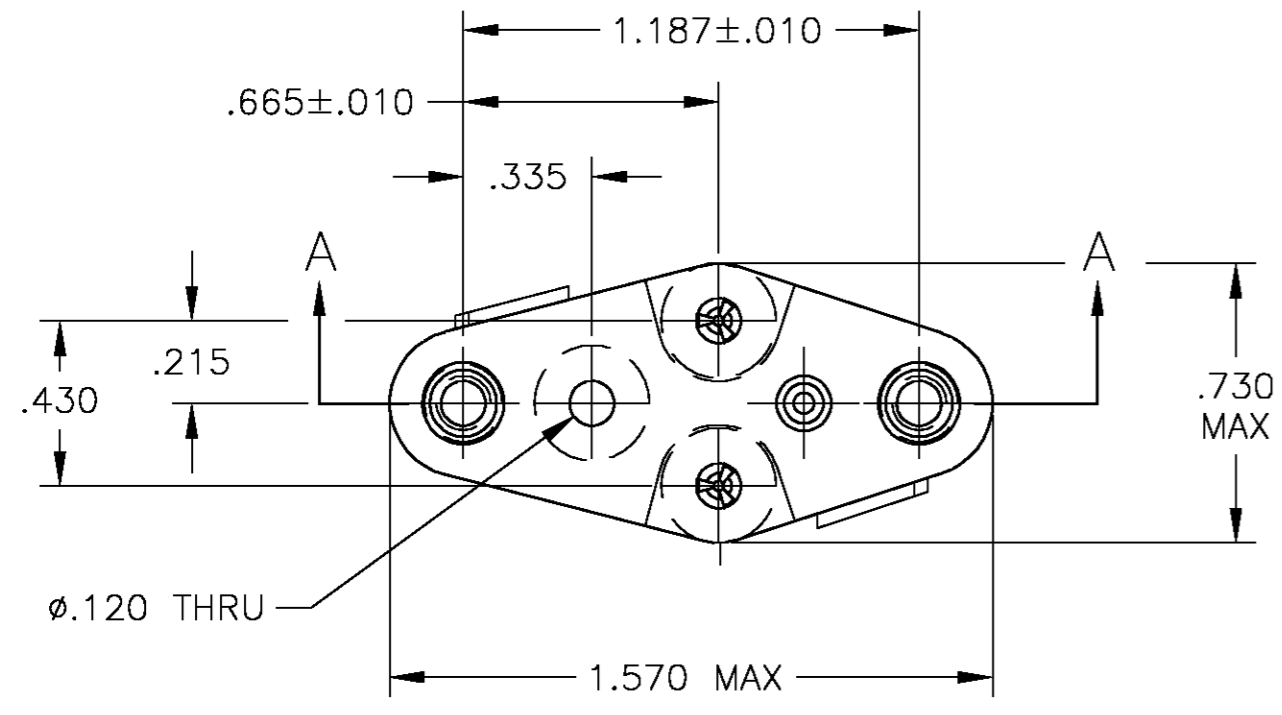


THIS DRAWING IS UNPUBLISHED. RELEASED FOR PUBLICATION
 © COPYRIGHT BY TYCO ELECTRONICS CORPORATION. ALL RIGHTS RESERVED.

LOC	DIST	REVISIONS					
AD	00	P	LTR	DESCRIPTION	DATE	DWN	APVD
		0		OG3C-02B3-03	03JUN03	TK	KW



SECTION A-A

RECOMMENDED CHASSIS HOLE LAYOUT

NOTES

- THIS ASSEMBLY IS INTENDED FOR USE WITH SEMI-CONDUCTORS PACKAGED WITHIN THE OUTLINE DIMENSIONS OF THE "TO -3". CONTACTS ARE DESIGNED TO ACCEPT .040+.003/- .002 DIA LEAD WHEN MOUNTED ON 1/16 OR 5/16 THK CHASSIS. PACKAGED WITHIN THE OUTLINE DIMENSIONS OF THE "TO-3". INSULATOR MATERIAL: BLACK PHENOLIC, UL RATED 94 V-0.
- SOCKET SHALL ACCEPT .312 MIN TO .460 MAX LEAD LENGTH.
- CONTACT, 200-400 μIN, TIN-LEAD OVER 100-200 μIN, COPPER, BECU BASE METAL.
EYELET, TIN-LEAD PLATED, BRASS BASE METAL
SADDLE, 180-340 μIN TIN-LEAD OVER 100-180 μIN COPPER, BRASS BASE METAL
- CONTACT, 200-400 μIN TIN (LEAD FREE) OVER 100-200 μIN, COPPER, BECU BASE METAL
EYELET, TIN (LEAD-FREE) PLATED, BRASS BASE METAL
SADDLE, 180-340 μIN TIN (LEAD-FREE) OVER 100-180 μIN COPPER, BRASS BASE METAL
- PRELIMINARY PART, NOT RELEASED FOR PRODUCTION.

6	5	3	6-1437504-7
4	3	5-1437504-1	
MATERIAL		PART NUMBER	

THIS DRAWING IS A CONTROLLED DOCUMENT.		DWN T.KRAYBILL 10NOV03	Tyco Electronics Corporation Harrisburg, Pa	
DIMENSIONS: INCHES	TOLERANCES UNLESS OTHERWISE SPECIFIED:	CHK K WRIGHT 11APR03	APVD K WRIGHT 11APR03	NAME GPL A48 - 8080 POWER TRANSISTOR SOCKET
	0 PLC ± - 1 PLC ± - 2 PLC ± - 3 PLC ± - 4 PLC ± - ANGLES ± - FINISH -	PRODUCT SPEC APPLICATION SPEC	SIZE A2	CAGE CODE 00779
MATERIAL -		WEIGHT -	DRAWING NO 5-1437504-1	RESTRICTED TO -
		CUSTOMER DRAWING	SCALE 1:1	SHEET 1 OF 1
			REV 0	

5-1437504-1