

THIS DRAWING IS UNPUBLISHED.

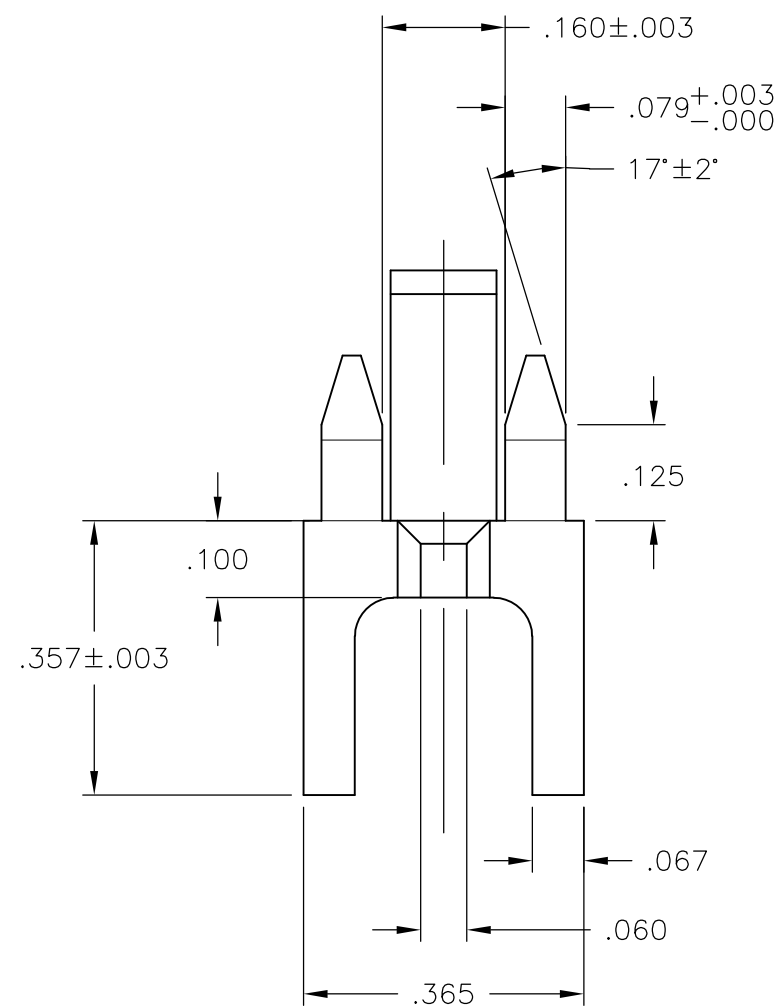
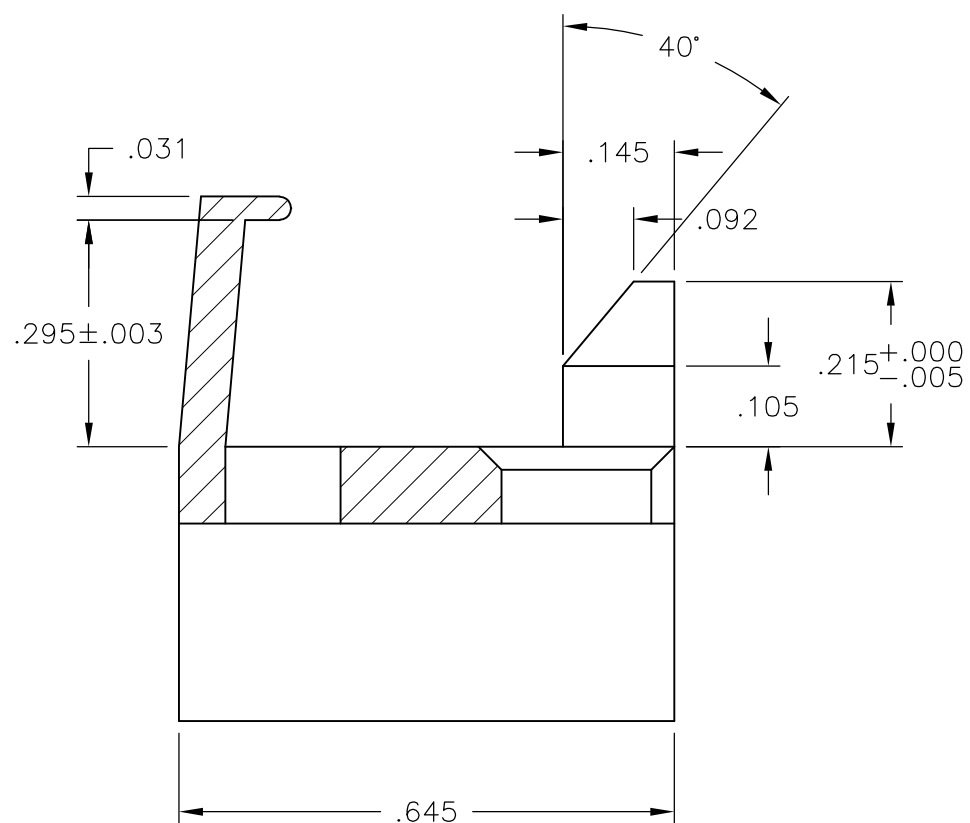
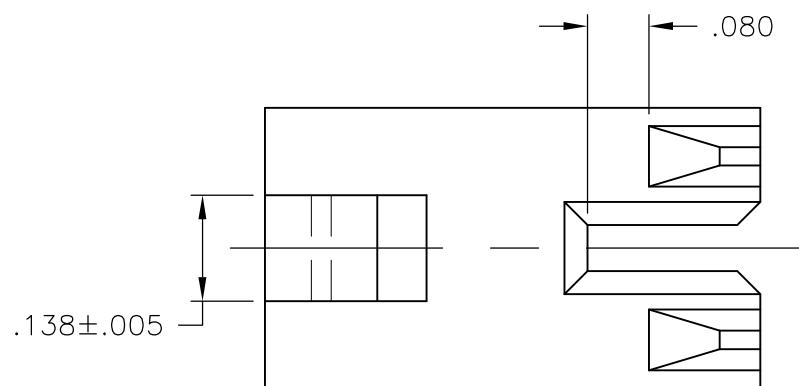
RELEASED FOR PUBLICATION

© COPYRIGHT - BY TYCO ELECTRONICS CORPORATION.

ALL INTERNATIONAL RIGHTS RESERVED.

LOC	DIST	REVISIONS			
P	LTR	DESCRIPTION	DATE	DWN	APVD
-	-	A	-	9/21/09	SS CR

1 MATERIAL: NYLON 6/6, COLOR: BLACK.



5-1437418-2

PART NUMBER

THIS DRAWING IS A CONTROLLED DOCUMENT.

DWN S SCHLEGEL 21SEP2009

CHK C RICHARD 9/21/09

APVD C RICHARD 9/21/09

PRODUCT SPEC

APPLICATION SPEC

WEIGHT -

CUSTOMER DRAWING



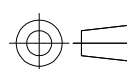
Tyco Electronics Corporation
Harrisburg, PA 17105-3608

NAME STANDOFF MOUNTING, RSB

SIZE A3 CAGE CODE 00779 DRAWING NO C-5-1437418-2 RESTRICTED TO -

SCALE NTS SHEET 1 OF 1 REV A

DIMENSIONS:
INCHES



TOLERANCES UNLESS OTHERWISE SPECIFIED:

- 0 PLC ± -
- 1 PLC ± -
- 2 PLC ± .02
- 3 PLC ± .005
- 4 PLC ± -
- ANGLES ± 2'
- FINISH -