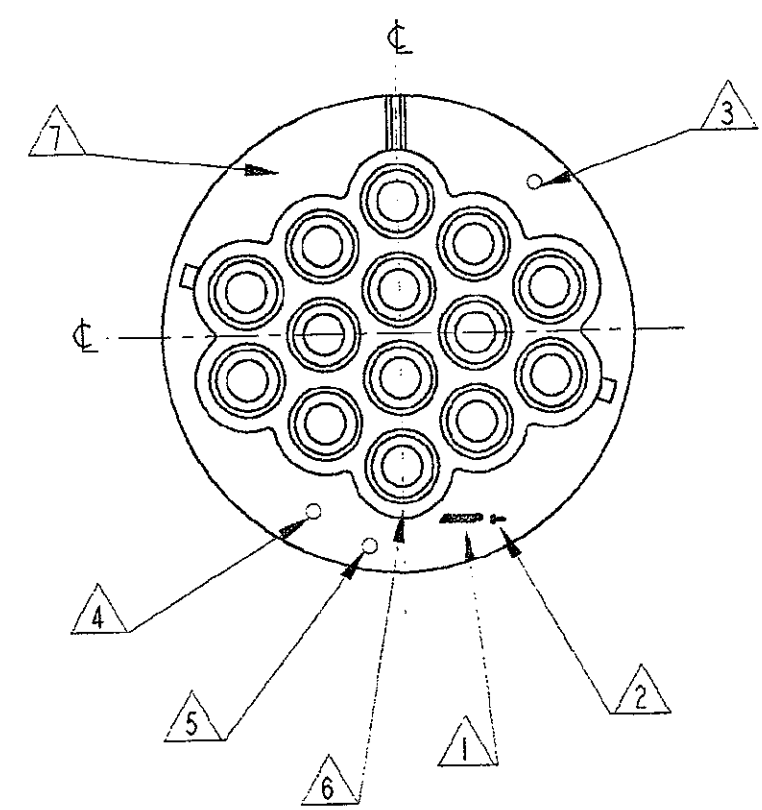
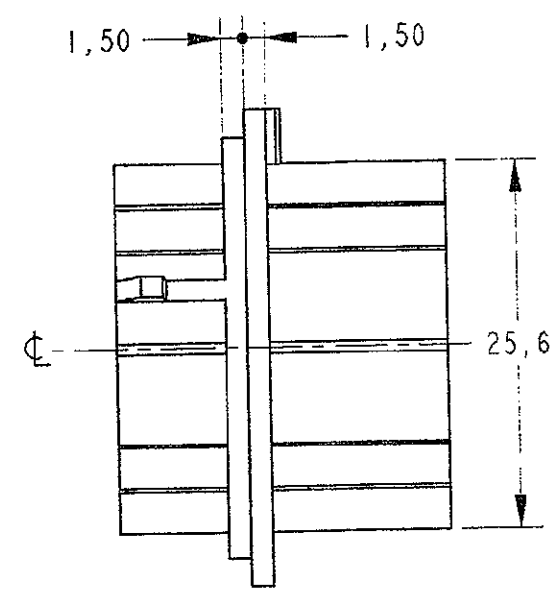
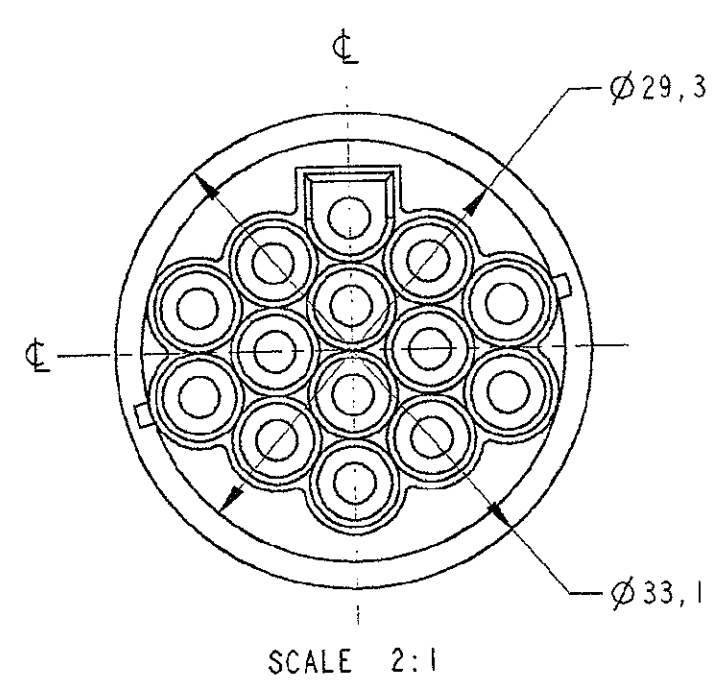
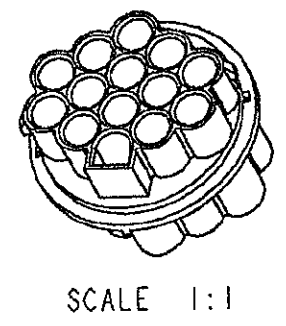
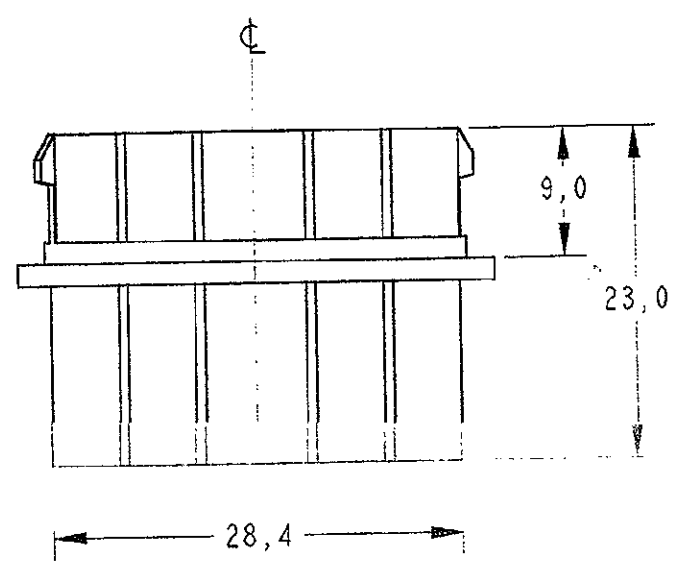


LOC	DATE	DESCRIPTION	DATE	OWN	APVD
AP	-				
		A REVISED PER ECR-17-008392	30JUN2017	BW	KR



GRAVAÇÃO MARKING	
1	LOGOTIPO AMP AMP LOGO
2	CÓDIGO PAÍS PRODUTOR MANUFACTURER COUNTRY CODE
3	NOMENCLATURA MATERIAL MATERIAL NOMENCLATURE
7	NÚMERO PEÇA AMP AMP PART NUMBER
5	NÚMERO CAVIDADE CAVITY NUMBER
6	IDENTIFICAÇÃO CIRCUITO CIRCUIT IDENTIFICATION
LOGOTIPO VW VW LOGO	
NÚMERO PEÇA CLIENTE CUSTOMER PART NUMBER	
PAÍS PRODUTOR MANUFACTURER COUNTRY	
4	REV. + LETRA REV. DES. REV. + DWG REV. LETTER

8 DIMENSIONS SHOWN REPRESENT PRODUCT IN DRY, AS MOLDED, CONDITION. ADDITIONAL 2% GROWTH DUE TO SUBSEQUENT MOISTURE ABSORPTION MAY OCCUR AND SHOULD BE ACCOUNTED FOR.



NATURAL	PA 6.6	493462-1
FINISH	MATERIAL	PART NUMBER

<small>THIS DRAWING IS A CONTROLLED DOCUMENT FOR AMP INCORPORATED. IT IS SUBJECT TO CHANGE AND THE CONTROLLING ENGINEERING ORGANIZATION SHOULD BE CONTACTED FOR THE LATEST REVISION.</small>		D. M. A. SARTORI 27MAR98 CHK. M. F. GUIMARÃES 27MAR98 APVD. P. PASCHOAL 27MAR98	STE TE Connectivity
DIMENSIONS: mm 		TOLERANCES UNLESS OTHERWISE SPECIFIED: 0 PLC ±0.3 1 PLC ±0.3 2 PLC ±0.3 3 PLC ±0.3 4 PLC ±0.3 ANGLES ±1°	NAME: HSG UMNL PIN 14 WAY APPLICATION SPEC: - WEIGHT: -
MATERIAL: SEE TABLE FINISH: SEE TABLE		SIZE: A3 CAGE CODE: 00779 DRAWING NO: 493462	RESTRICTED TO: - SCALE: 2:1 SHEET: 1 OF: 1 REV: A
CUSTOMER DRAWING			