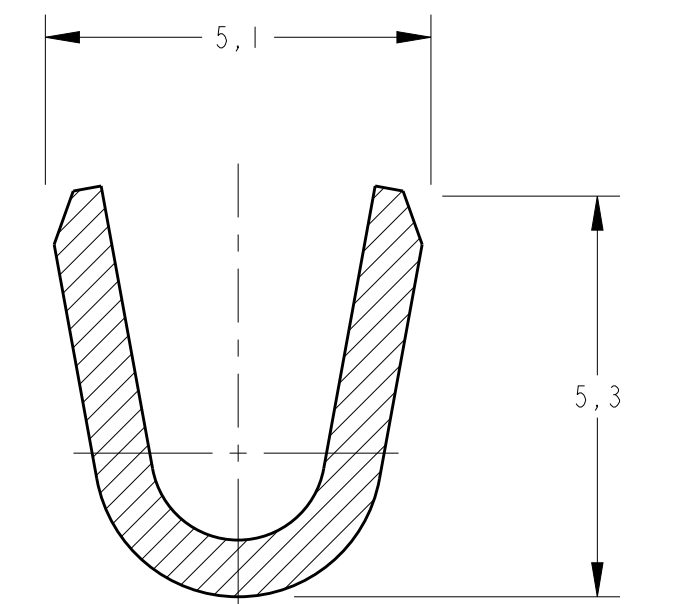
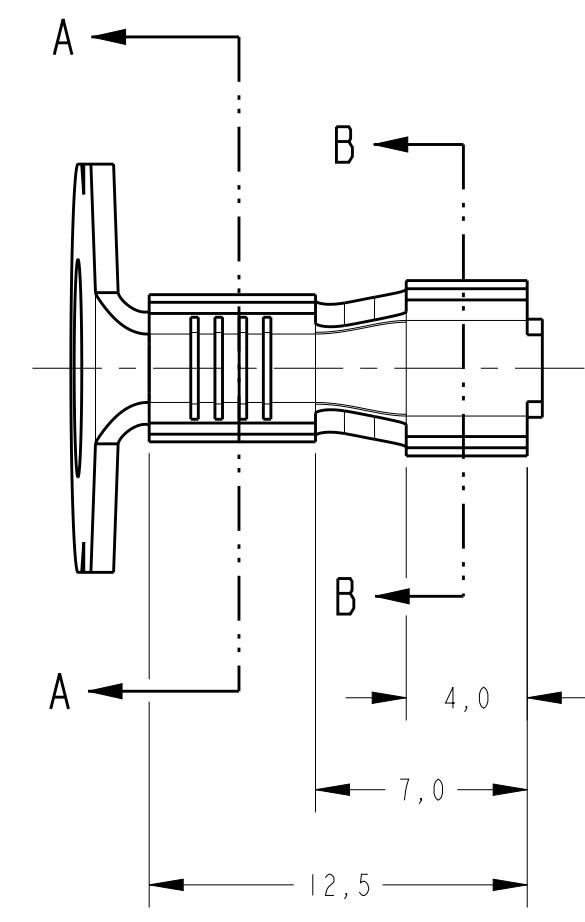
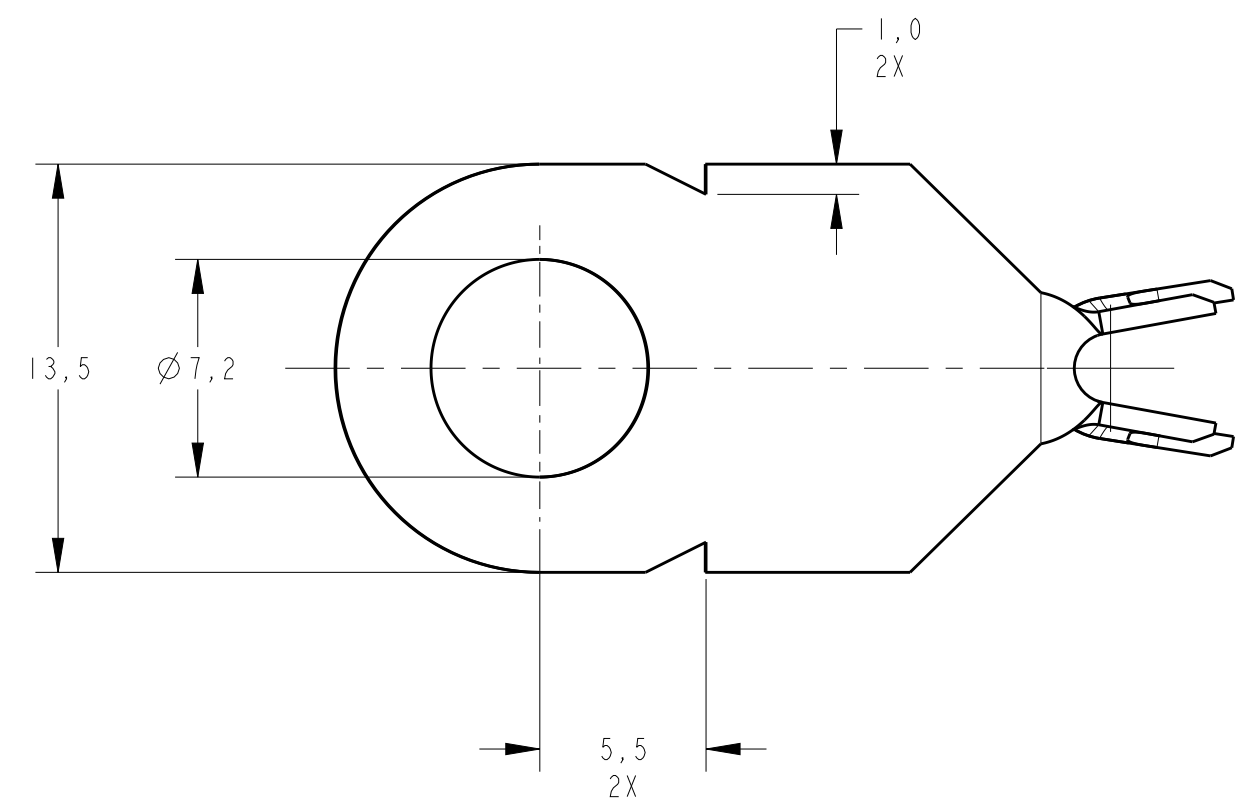
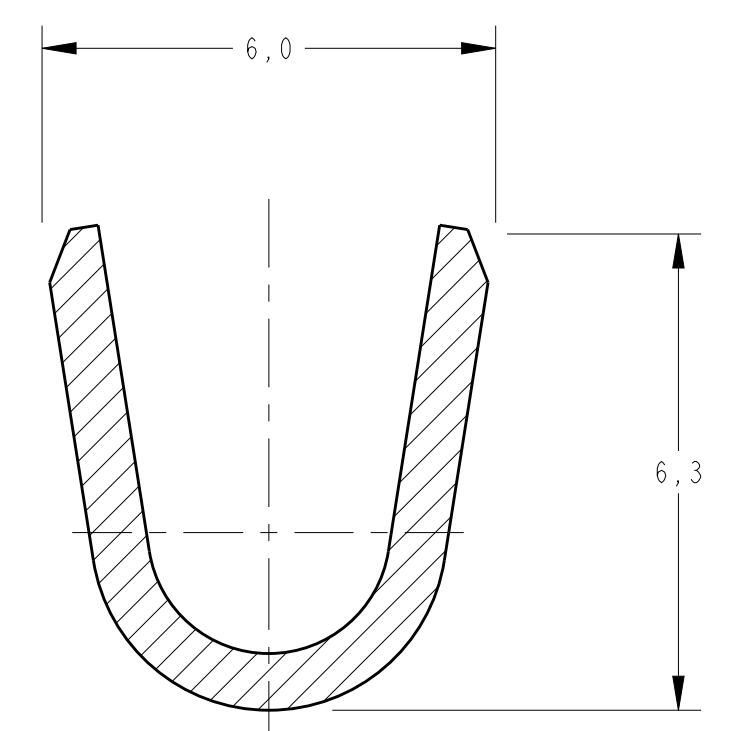
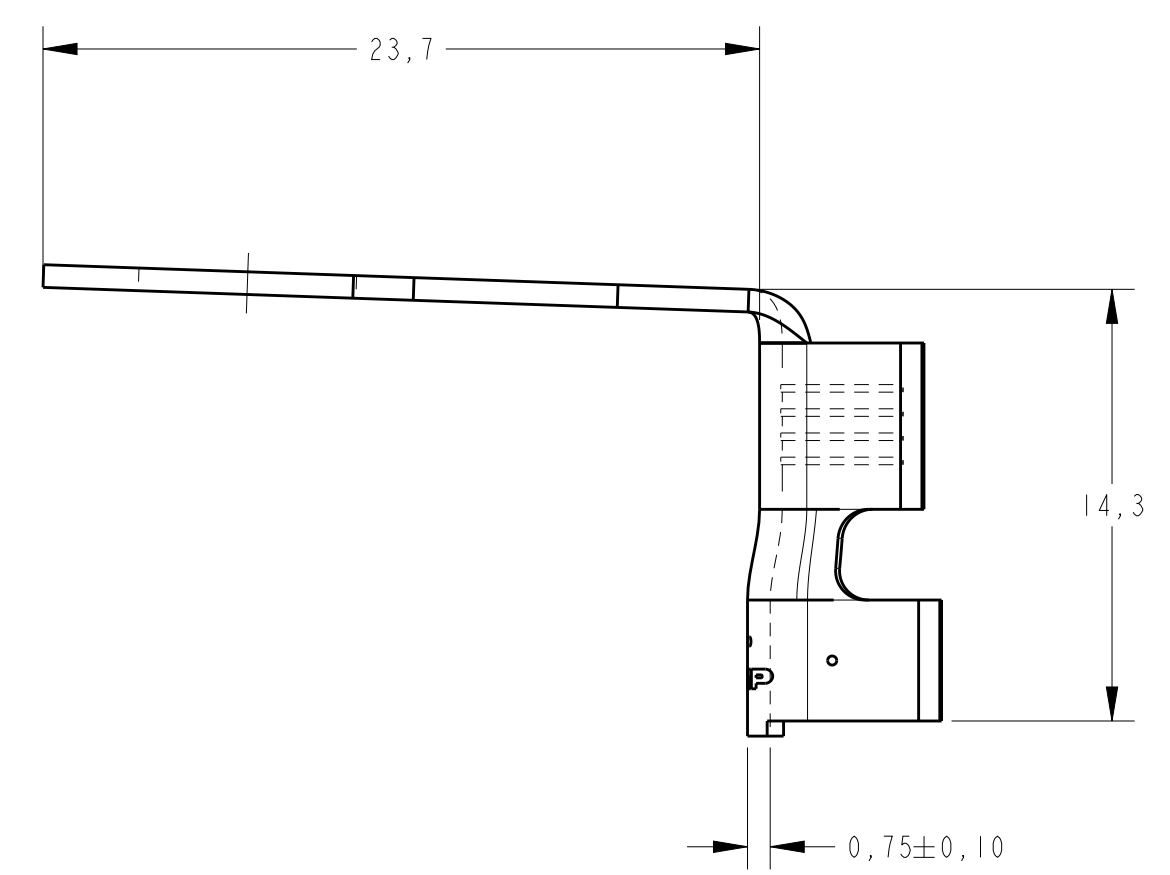


THIS DRAWING IS UNPUBLISHED. RELEASED FOR PUBLICATION 20
 © COPYRIGHT 20 BY - ALL RIGHTS RESERVED.

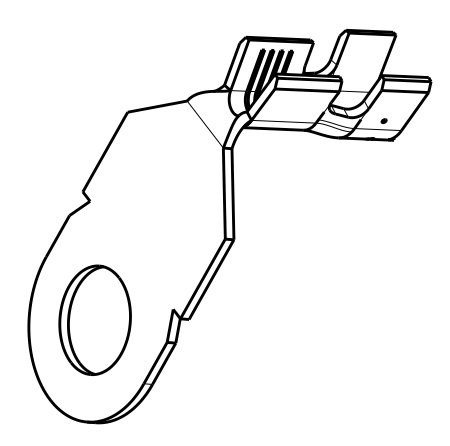
REVISIONS					
P	LTR	DESCRIPTION	DATE	DWN	APVD
	B1	REDRAW BY CAD ECO-16-015635	10NOV2016	NCL	DAO



SECTION A-A
SCALE 10:1



SECTION B-B
SCALE 10:1



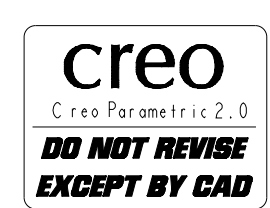
PERSPECTIVE VIEW
SCALE 2:1

INS. DIA RANGE	WIRE RANGE
Ø 3,3-4,5mm	>2,5-4,0mm ²

ESTANHADO / TIN PLATED	LATÃO / BRASS	493067-1
FINISH	MATERIAL	PART NUMBER

THIS DRAWING IS A CONTROLLED DOCUMENT.

DWN: NCLAPRESA 10NOV2016	TE Connectivity
CHK: FFORTUNATO 10NOV2016	
APVD: DAOLIVEIRA 10NOV2016	
NAME: -	TERMINAL RING TONGUE
PRODUCT SPEC: -	SIZE: A2
APPLICATION SPEC: -	CAGE CODE: -
WEIGHT: -	DRAWING NO: C-493067
CUSTOMER DRAWING	RESTRICTED TO: -
SCALE: 3:1	SHEET: 1 OF 1
REV: B1	



DIMENSIONS:	TOLERANCES UNLESS OTHERWISE SPECIFIED:
mm	0 PLC ±
	1 PLC ±0,3
	2 PLC ±
	3 PLC ±
	4 PLC ±
	ANGLES ±1°
MATERIAL:	FINISH:
SEE TABLE	-