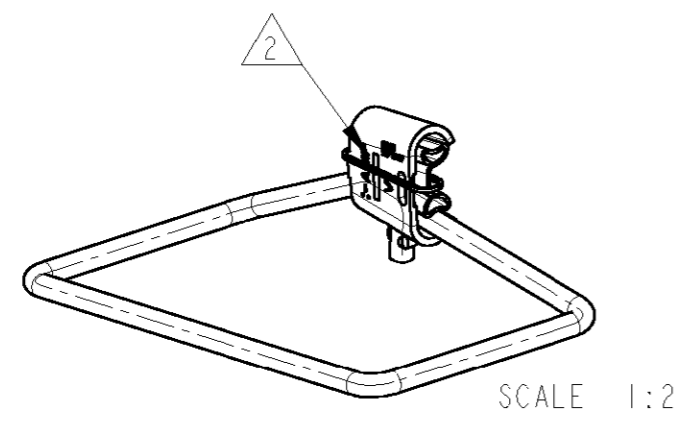
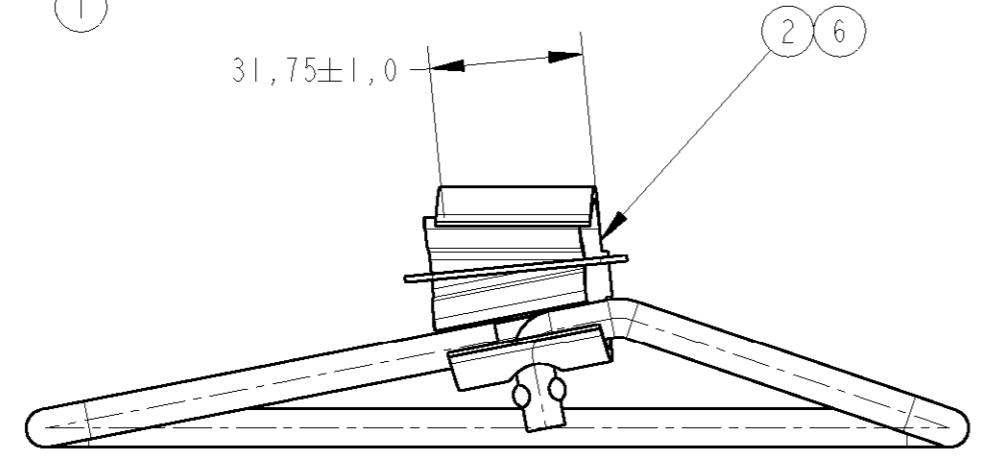
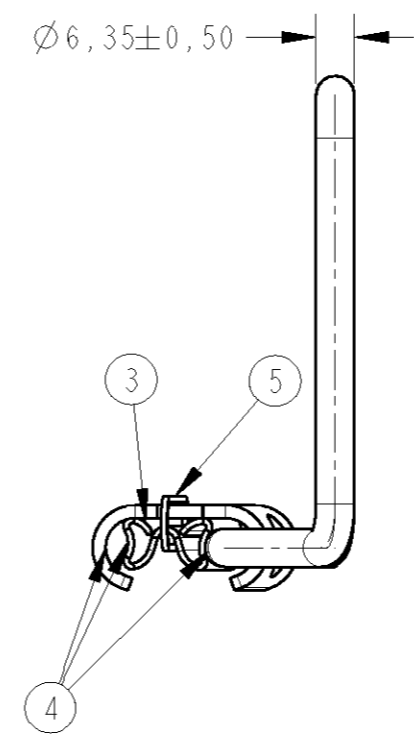
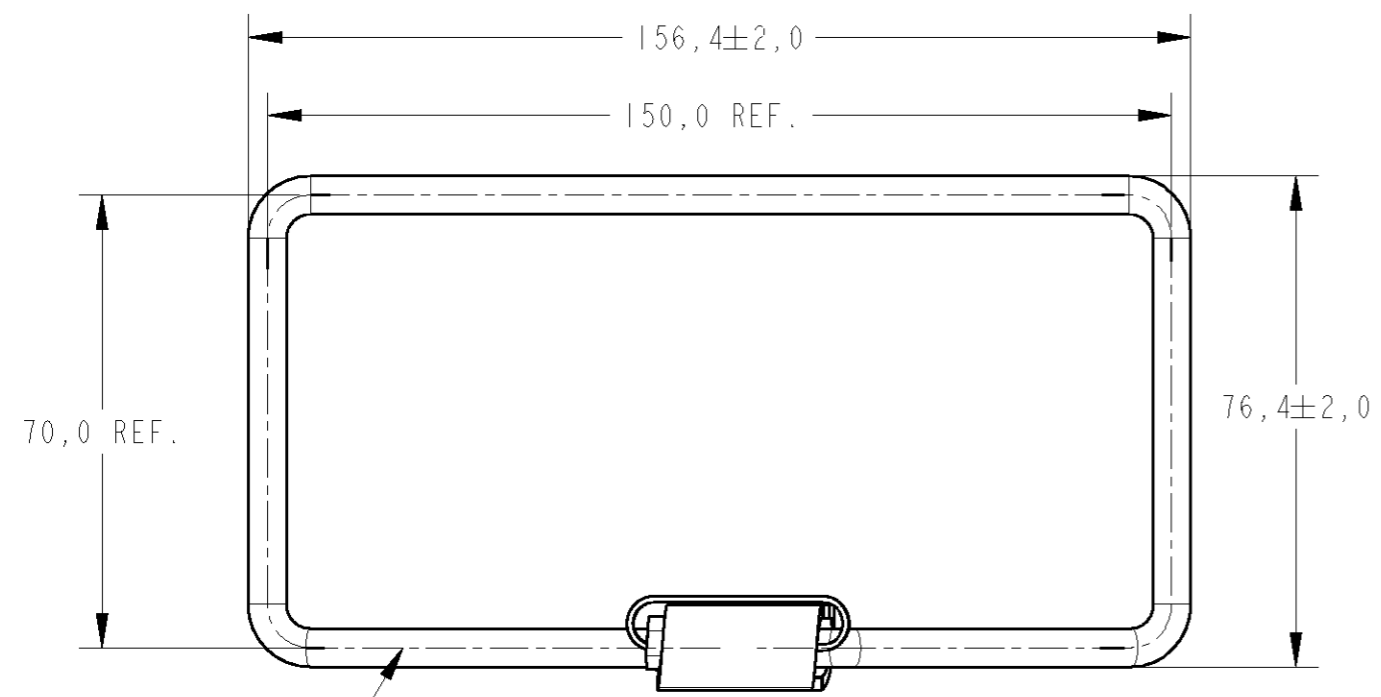


THIS DRAWING IS UNPUBLISHED. RELEASED FOR PUBLICATION .19 .
 © COPYRIGHT 19 BY AMP INCORPORATED. ALL RIGHTS RESERVED.

LOC	DIST	REVISIONS			
P	LTR	DESCRIPTION	DATE	DWN	APVD
AP	-				
	B	REVISED BY EC LB00-0430/01	160CT2001	VF	JAL
	C	REVISED BY EC LB00-0511/01	03DEC2001	VF	JAL



1 - SUPPLIED IN INDIVIDUAL PLASTIC PACKAGING

2 - ENGRAVING PART NUMBER AMP

3 - MAIN CONDUCTOR RANGE

PART NUMBER	RUN CABLE	
	AWG	mm ²
493045-1	2 ACSR STR	50 STR 50 COMP
493045-2	1/0 ACSR STR 1/0 AAC STR	70 STR 70 COMP

4 - SUM OF DIAMETER:

PART NUMBER	SUM		RUN CABLE		STIRRUP
	MAX.	MIN.	MAX.	MIN.	
493045-1	16,78	14,02	10,11	4,66	Ø6,35
493045-2	16,78	15,71	10,35	9,36	

1 - FORNECIDO EM EMBALAGEM PLÁSTICA INDIVIDUAL

2 - GRAVAÇÃO DO PN. AMP.

3 - FAIXA DE CABOS

PEÇA NÚMERO	CABO PRINCIPAL	
	AWG	mm ²
493045-1	2 ACSR STR	50 STR 50 COMP
493045-2	1/0 ACSR STR 1/0 AAC STR	70 STR 70 COMP

4 - SOMA DOS DIÂMETROS:

PEÇA NÚMERO	SOMA		CABO PRINCIPAL		ESTRIBO
	MAX.	MIN.	MAX.	MIN.	
493045-1	16,78	14,02	10,11	4,66	Ø6,35
493045-2	16,78	15,71	10,35	9,36	

REQ. PER ASSY	ITEM	DESCRIPTION	MATERIAL	FINISH
	6	UDC "C" MEMBER	BRASS	TIN PLATED
	5	ROUND ELASTIC FASTENER	LATEX	-
	4	SYNTHETIC INHIBITOR	-	-
	3	UDC WEDGE MEMBER	BRASS	TIN PLATED
	2	UDC "C" MEMBER	BRASS	TIN PLATED
	1	STIRRUP	ALUMINUM	UNPLATED

<small>THIS DRAWING IS A CONTROLLED DOCUMENT FOR AMP INCORPORATED. IT IS SUBJECT TO CHANGE AND THE CONTROLLING ENGINEERING ORGANIZATION SHOULD BE CONTACTED FOR THE LATEST REVISION.</small>		DWN V.FUZETTI 06DEC96 CHK J.VIEIRA 12DEC96 APVD J.ROOSDORP 12DEC96	AMP AMP do Brasil LTDA. São Paulo, Brasil
DIMENSIONS: mm	TOLERANCES UNLESS OTHERWISE SPECIFIED: 0 PLC ± 1 PLC ± 2 PLC ± 3 PLC ± 4 PLC ± ANGLES ±	PRODUCT SPEC - APPLICATION SPEC - WEIGHT -	NAME UDC ALUMINUM STIRRUP TYPE VII SIZE A3 CAGE CODE 00779 DRAWING NO C-493045
MATERIAL SEE TABLE	FINISH SEE TABLE	CUSTOMER DRAWING	SCALE - SHEET 1 OF 1 REV C