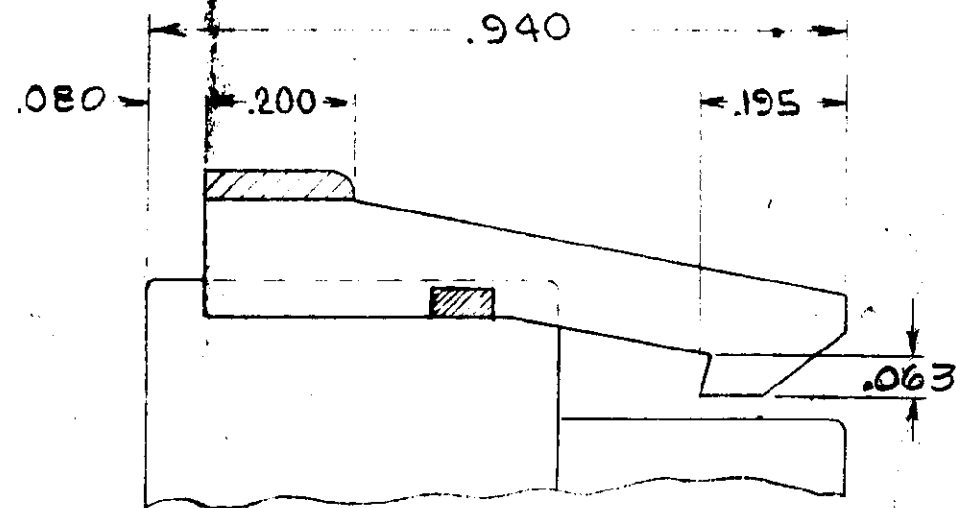


S

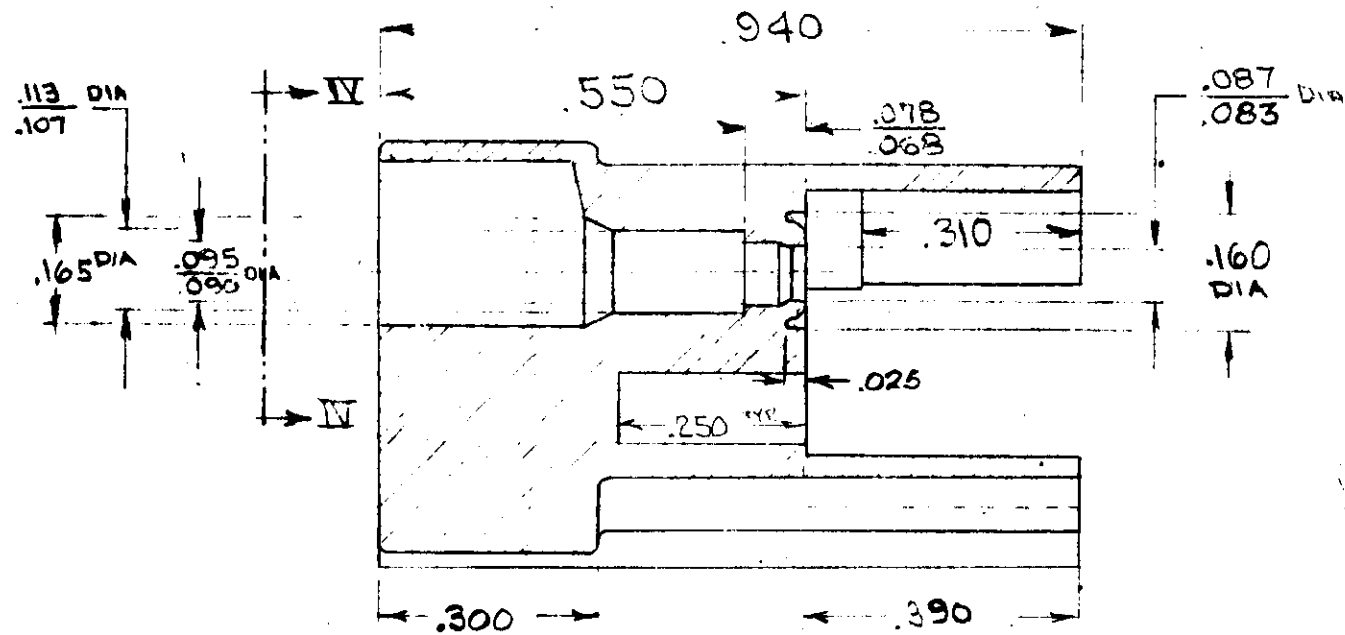
WAS 3P-75287 FORC FAX #

DIMENSIONS IN INCHES. DO NOT SCALE PRINT

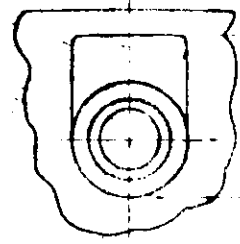
53



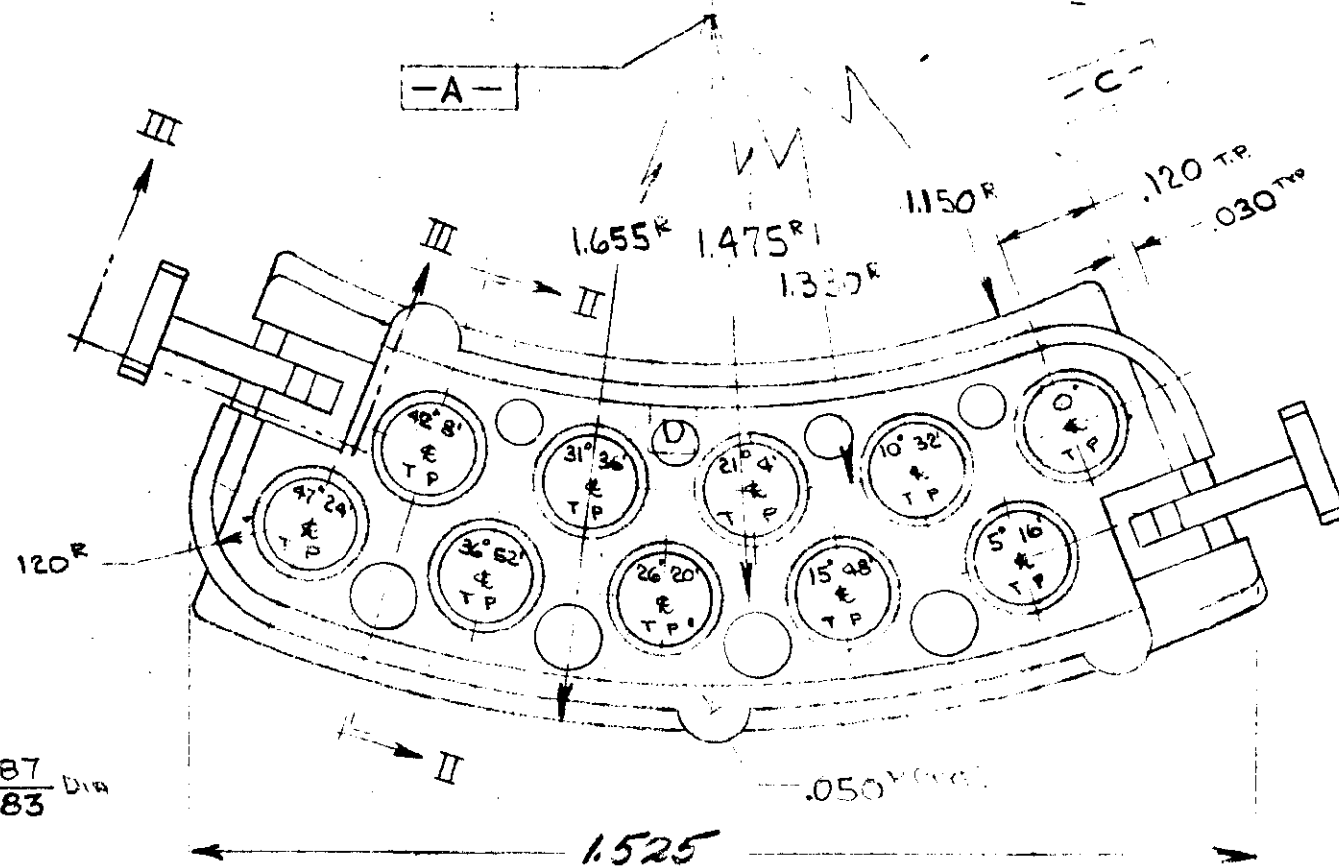
SECTION III-III



SECTION II-II



VIEW IV-IV



NOTES:

- 1. ACCEPTS TERMINALS 61208, 61209, 61212, 61213
- 2. MATES WITH 480516
- 3. OBSOLETE PARTS: OBSOLETE CIS STREAMLINING PER D.RENAUD/D.SINISI

3	OBSOLETE	i-480450-2	PIN HOUSING	COLOR: BLUE
		i-480450-1	PIN HOUSING	COLOR: BLACK

NO.	DATE	BY	CHK	DESCRIPTION
H1	26 NOV 69	AEG	KK	REVISED PER ECO-09-026346
H	5-22-71	MSF	MSF	OBSOLETED PER M-6434
G	3/6/72	FR	FR	REVISED & RE-DRAWN
LTR				REVISION RECORD

NO.	DATE	BY	CHK	DESCRIPTION

DWG SIZE		NUMBER		NAME		REMARKS		ITEM NO	
BY		DATE		MATERIAL AND FINISH		CUSTOMER COPY REFERENCE ONLY			
CHK		DATE		NYLON		AMP INCORPORATED HARRISBURG, PENNA.			
DE		DATE		WIRE - RANGE - INSULATION		CLASS 086 DIM			
DR		DATE		TOLERANCE EXCEPT AS NOTED		SCALE		LOC NO	
CHK		DATE		± .015 ± .001		4x1		AG B 480450	
DR		DATE		NAME		REV H1			
CHK		DATE		10 CIRCUIT PIN HOUSING					

D
C
B
A