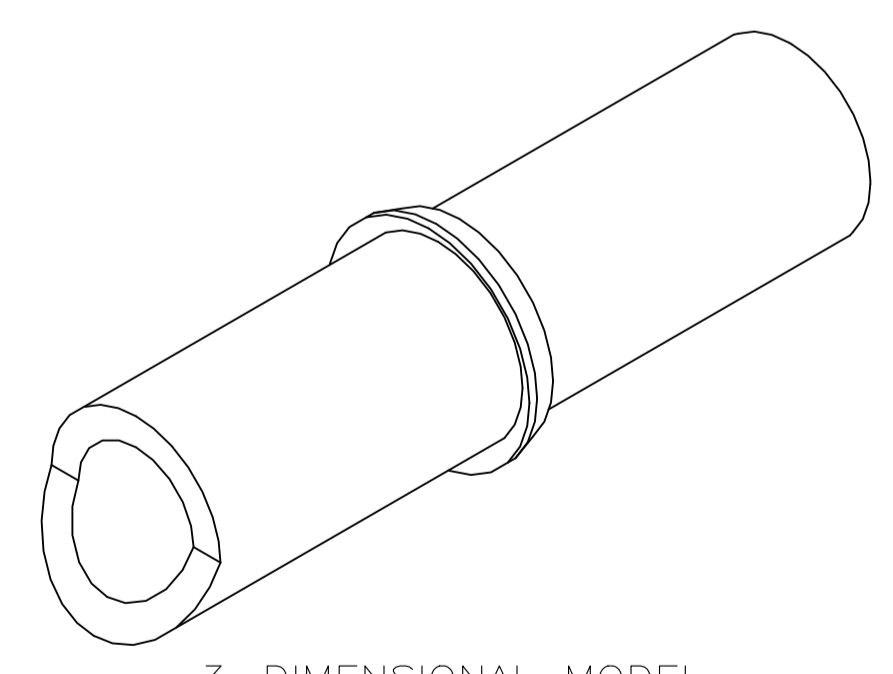
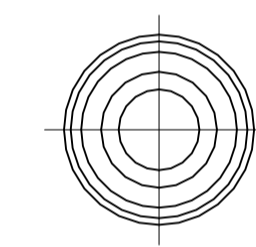
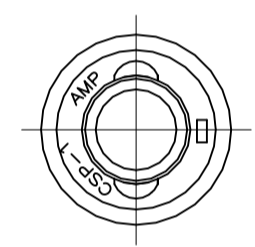
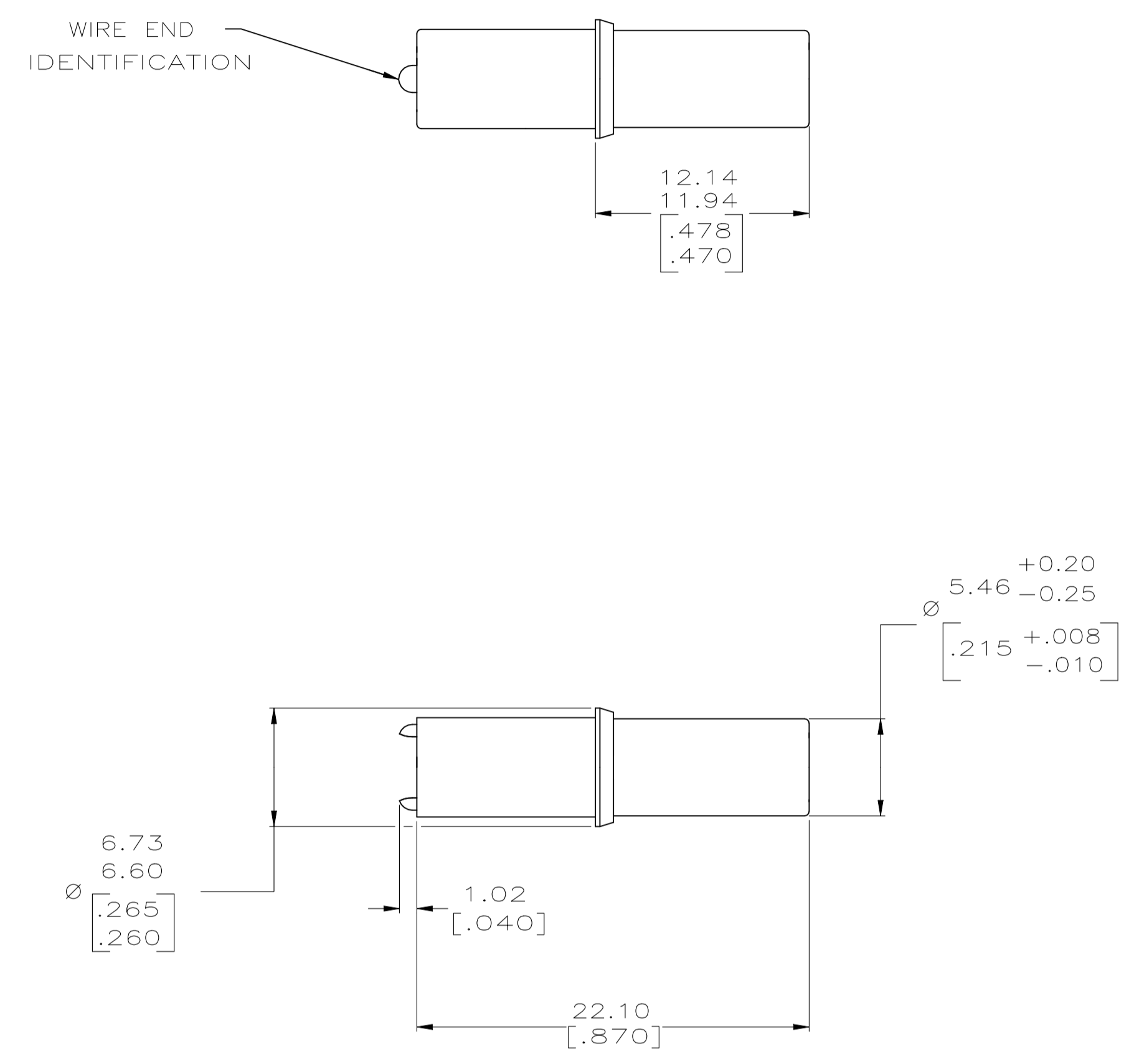
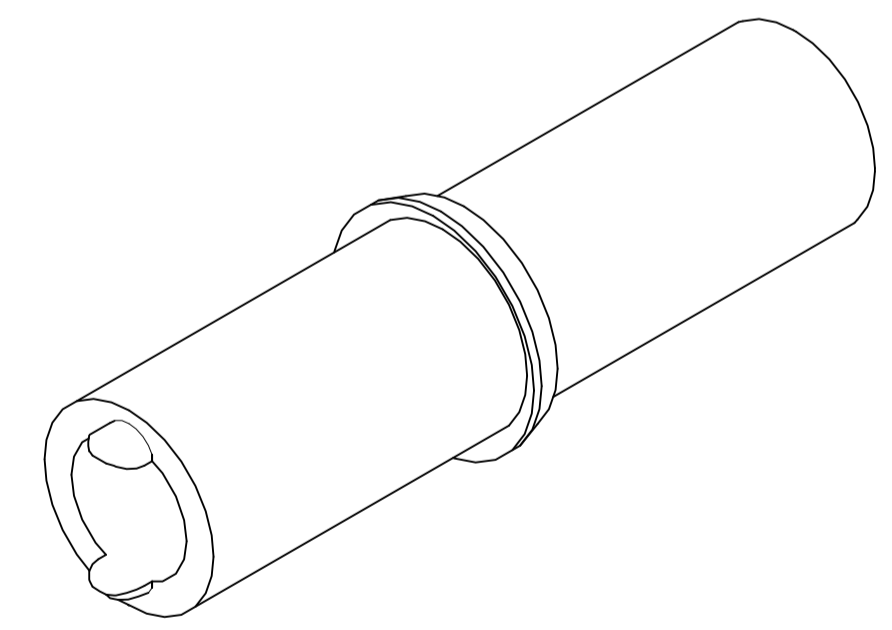
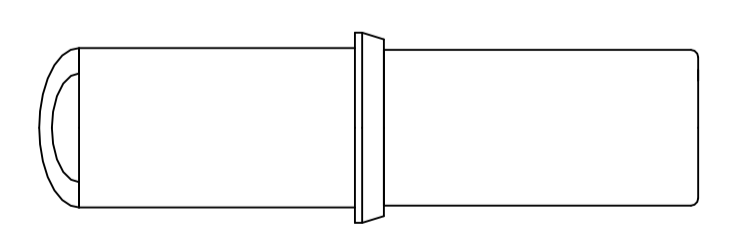


REVISIONS				
P	LTR	DESCRIPTION	DATE	OWN APVD
K1		REVISED PER ECO-11-004820	11MAR11	RK HMR
K2		REVISED PER ECN-24-278547	06AUG2024	WLS JP

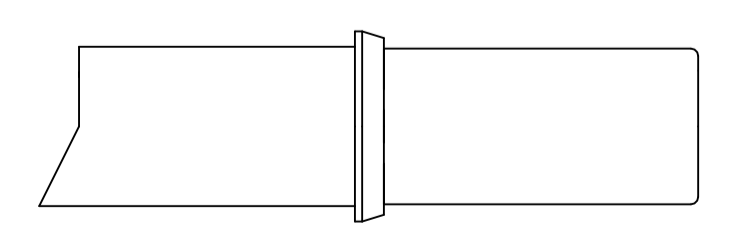
1. TO BE USED WITH APPROPRIATE COMMERCIAL MATE-N-LOK SOCKETS.
2. MATES WITH CAP 480350 OR 480351.
3. DIMENSIONS IN BRACKETS ARE IN INCHES.



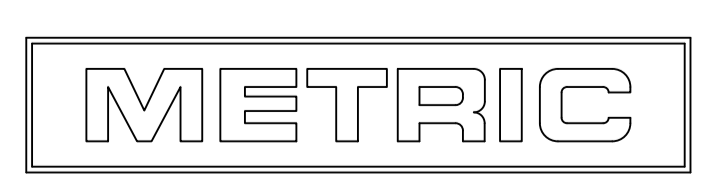
3-DIMENSIONAL MODEL
NTS



3-DIMENSIONAL MODEL
NTS



ALTERNATE CONSTRUCTION
(FOR FOREIGN PRODUCTION ONLY)



OBSELETE	BLUE	1-480349-6
	GREEN	1-480349-5
	RED	1-480349-2
	NATURAL	1-480349-0
	COLOR	PART NO.

THIS DRAWING IS A CONTROLLED DOCUMENT.		DWN: K. SALMON 3-8-94	TE Connectivity	
DIMENSIONS: INCHES		CHK: R. SWING 3-8-94	NAME: TM PLUG, SINGLE CIRCUIT,	
TOLERANCES UNLESS OTHERWISE SPECIFIED:		APVD: C. MARTIN	RESTRICTED TO	
0 PL/C	±	PRODUCT SPEC	SIZE: A1	CAGE CODE: 00779
1 PL/C	±	APPLICATION SPEC	DRAWING NO: 480349	REV: K2
2 PL/C	± 0.13[.005]	WEIGHT	SCALE: 4:1 SHEET 1 OF 1	
3 PL/C	±	CUSTOMER DRAWING		
4 PL/C	±			
ANGLES	±			
MATERIAL: NYLON	FINISH: -			