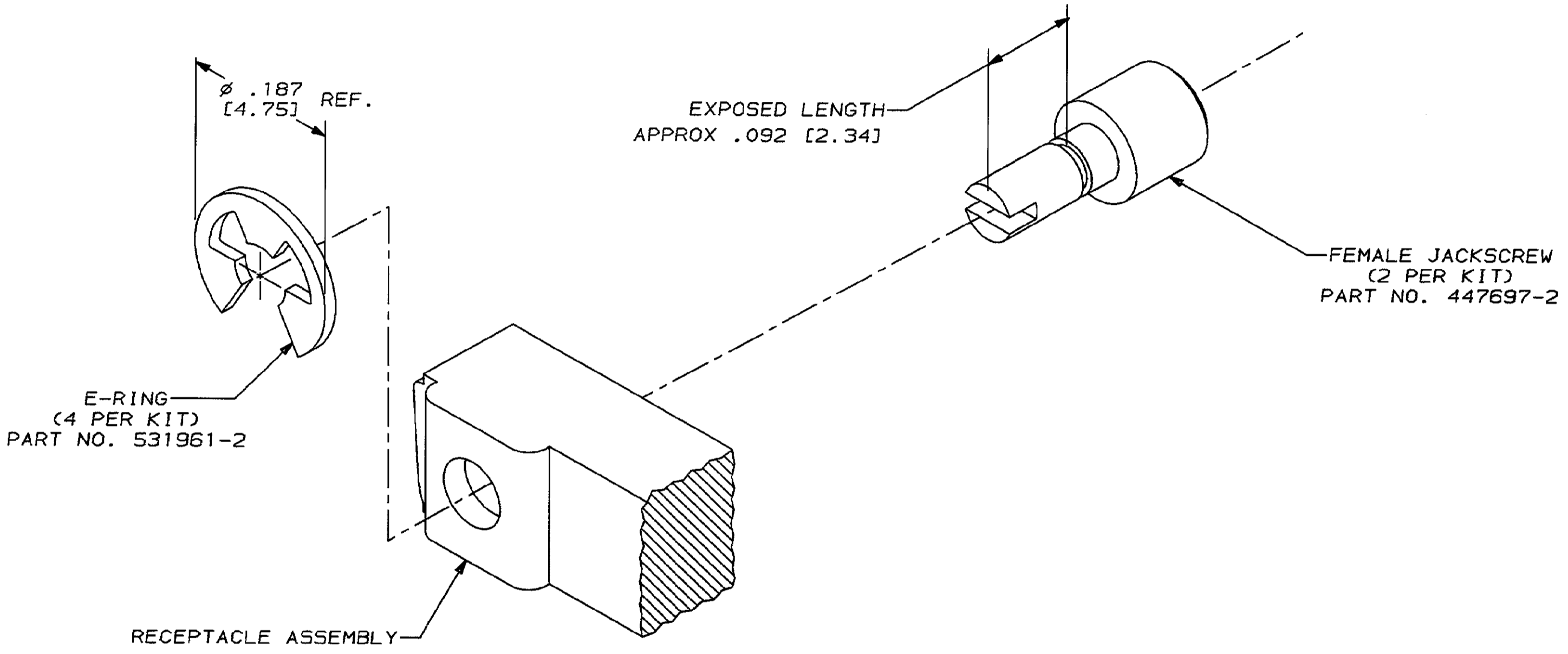


DRAWING MADE IN THIRD ANGLE PROJECTION

THIS DRAWING IS UNPUBLISHED. RELEASED FOR PUBLICATION, 19
 © COPYRIGHT 19 BY AMP INCORPORATED. ALL INTERNATIONAL RIGHTS RESERVED.

PROD	LOC	DIST	P	F	ZONE	LTR	DESCRIPTION	DATE	APPD
5327	DF	F1							
							RELEASED PER W/O 0-243F & NPR's 90-515 & 90-516	1-10-91	br & wpl
							REV PER ECN DF-5297 TA	4-3-92	DG
							REV PER ECN DF-5935 EB	8/3/92	DG



AS SHOWN	447575-1
NOTE	PART NO.

DO NOT SCALE PRINT. UNLESS SPECIFIED DIMENSIONS IN INCHES [mm] TOLERANCES ON :	DR	R. RINEHART	10-24-90
	CHK	D. GUTTER	4-3-92
	APPD	D. GUTTER	4-3-92
MATERIAL	APPD	T. ALEXANDER	4-3-92
FINISH	APPLICATION SPEC		
WEIGHT			

AMP AMP Incorporated Harrisburg, PA 17105-3608		
NAME JACKSCREW, MINI-BOX, SPECIAL		
SIZE	CAGE CODE	DRAWING NO
©	00779	447575
SCALE	NTS	SHEET 1 of 1