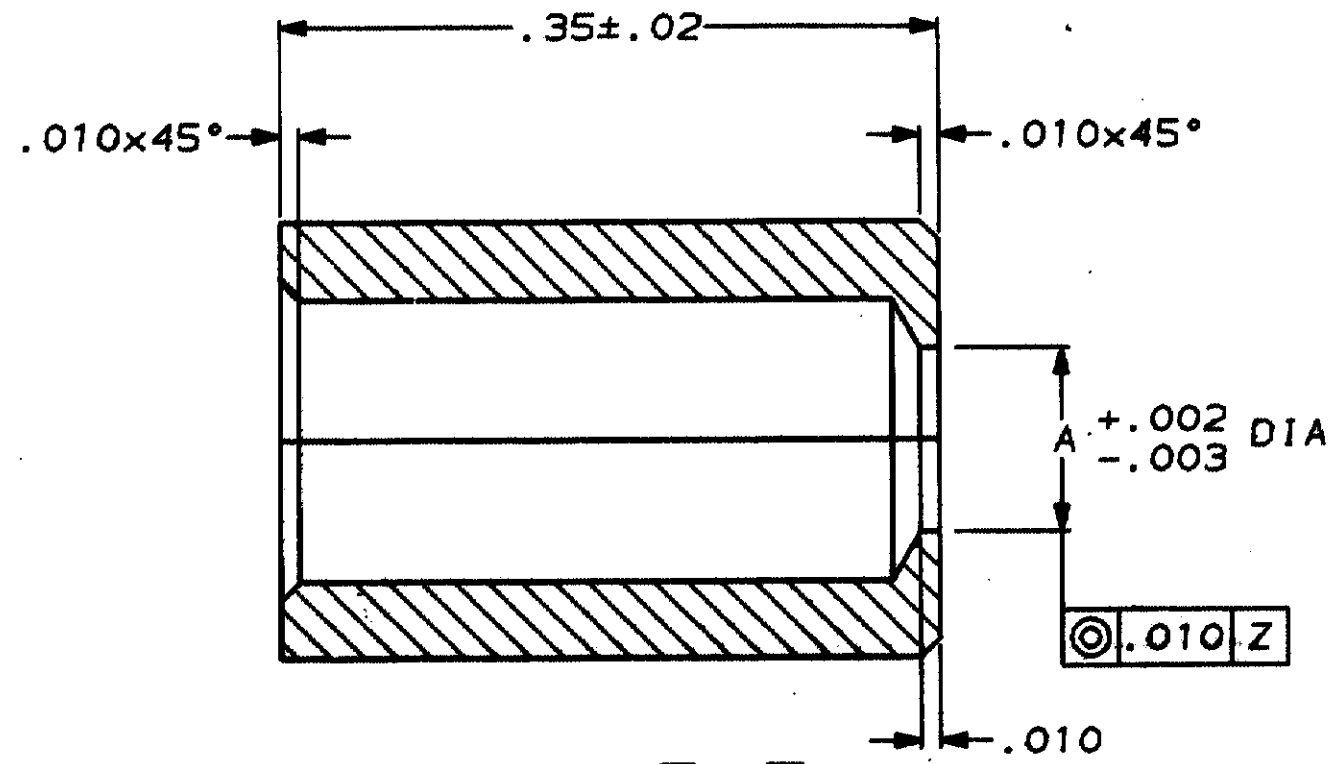


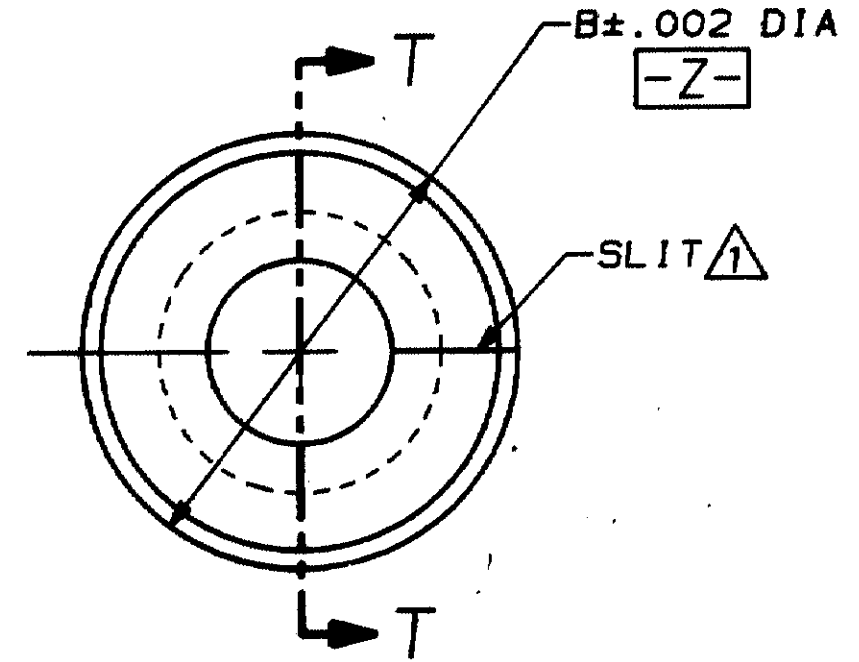
THIS DRAWING IS UNPUBLISHED. RELEASED FOR PUBLICATION , 19 .  
 © COPYRIGHT 19 BY AMP INCORPORATED. ALL INTERNATIONAL RIGHTS RESERVED.

PROD 5058  
 LOC DF  
 DIST LO

|   |   | REVISIONS |     |                    |      |       |
|---|---|-----------|-----|--------------------|------|-------|
| P | F | ZONE      | LTR | DESCRIPTION        | DATE | APPD  |
|   |   | 0         |     | RLSE/NPR 89-165    | CCT  | 4-89  |
| ✓ | ✓ | A         |     | REV PER DF-2280 JM |      | 10-89 |



SECTION T-T



|          |      |      |          |
|----------|------|------|----------|
| W/O SLIT | .295 | .096 | 446450-4 |
| W/O SLIT | .232 | .096 | 446450-3 |
| W/SLIT   | .295 | .096 | 446450-2 |
| W/SLIT   | .232 | .096 | 446450-1 |
| REMARKS  | B    | A    | PART NO. |

|   |                  |  |         |            |
|---|------------------|--|---------|------------|
| DO NOT SCALE PRINT.<br>UNLESS SPECIFIED<br>DIMENSIONS IN INCHES<br>TOLERANCES ON:<br>2 PLC DEC ± -<br>3 PLC DEC ± .005<br>ANGLES ± 2° | DR 4-13-89       | <b>AMP</b>   AMP INCORPORATED<br>Harrisburg, Pa. 17105 |         |            |
|   | CHK -            |  |         |            |
| MATERIAL  | APPD -           | NAME<br>BUSHING, STABILIZING,<br>"G" SERIES            |         |            |
| SILICONE RUBBER<br>70-80 DUROMETER  | APPD -           |  |         |            |
| FINISH  | PRODUCT SPEC     | SIZE   | FSCM NO | DRAWING NO |
| -   | -                | <b>B</b>   | 00779   | 446450     |
|   | APPLICATION SPEC | SCALE  | 10:1    | SHEET      |
|   | WEIGHT -         |  |         | 1 OF 1     |