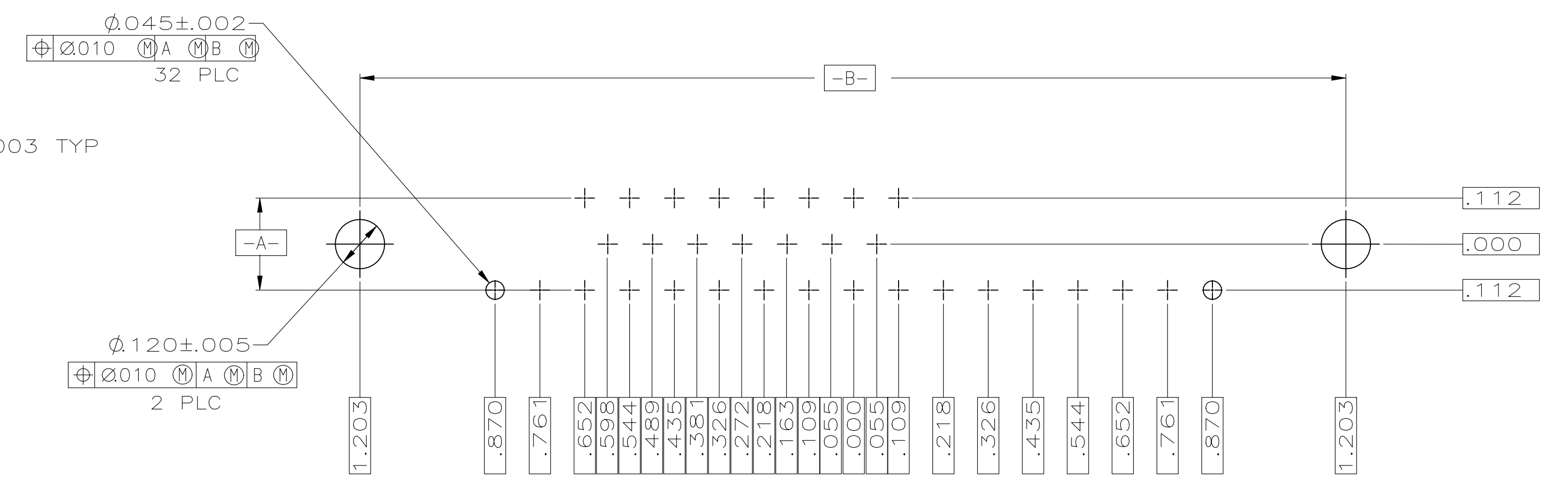
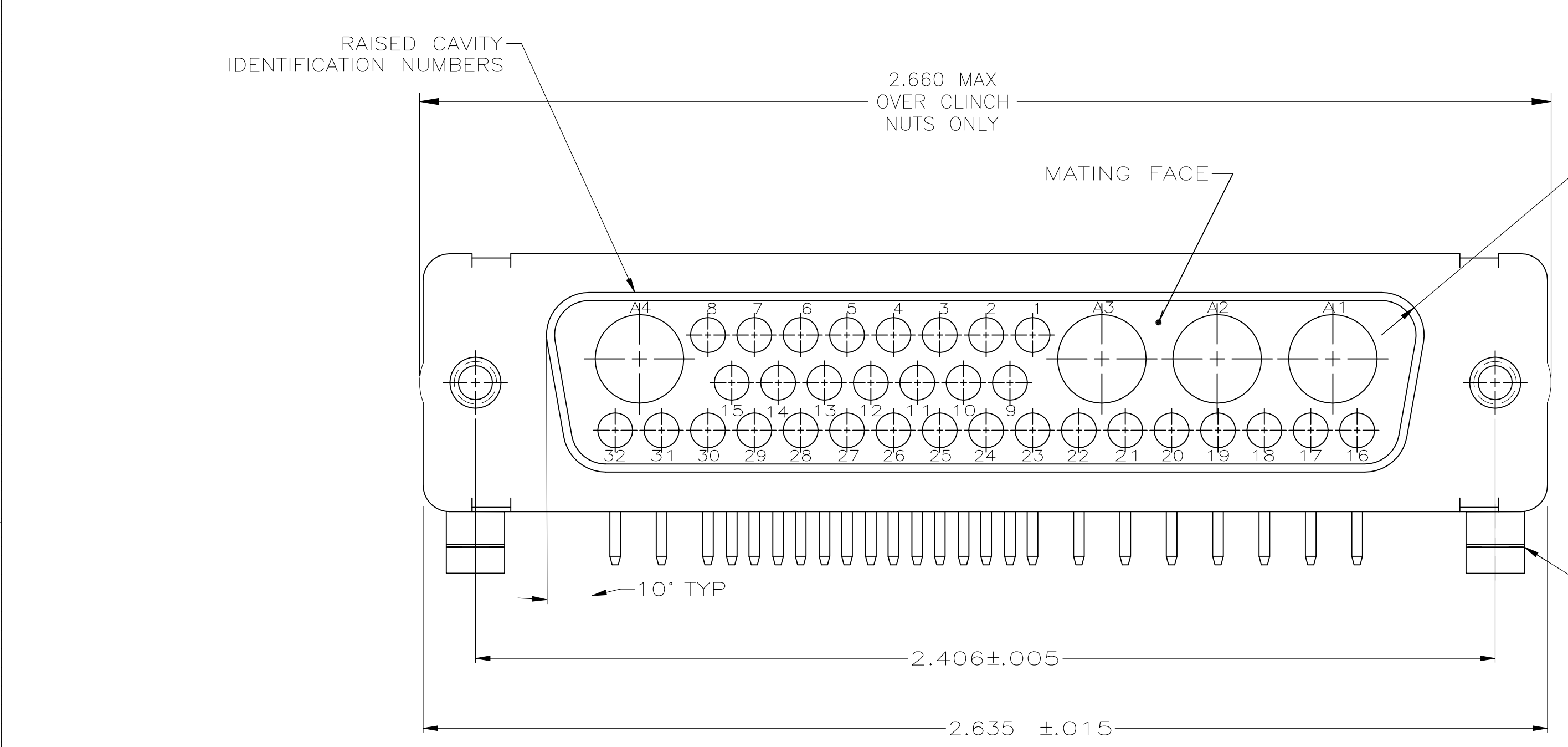
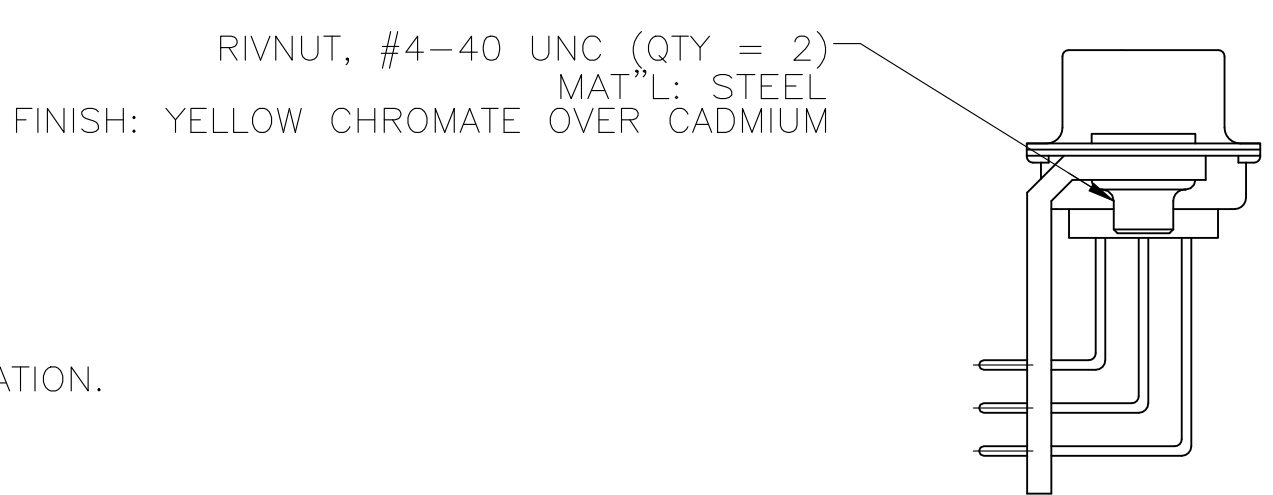
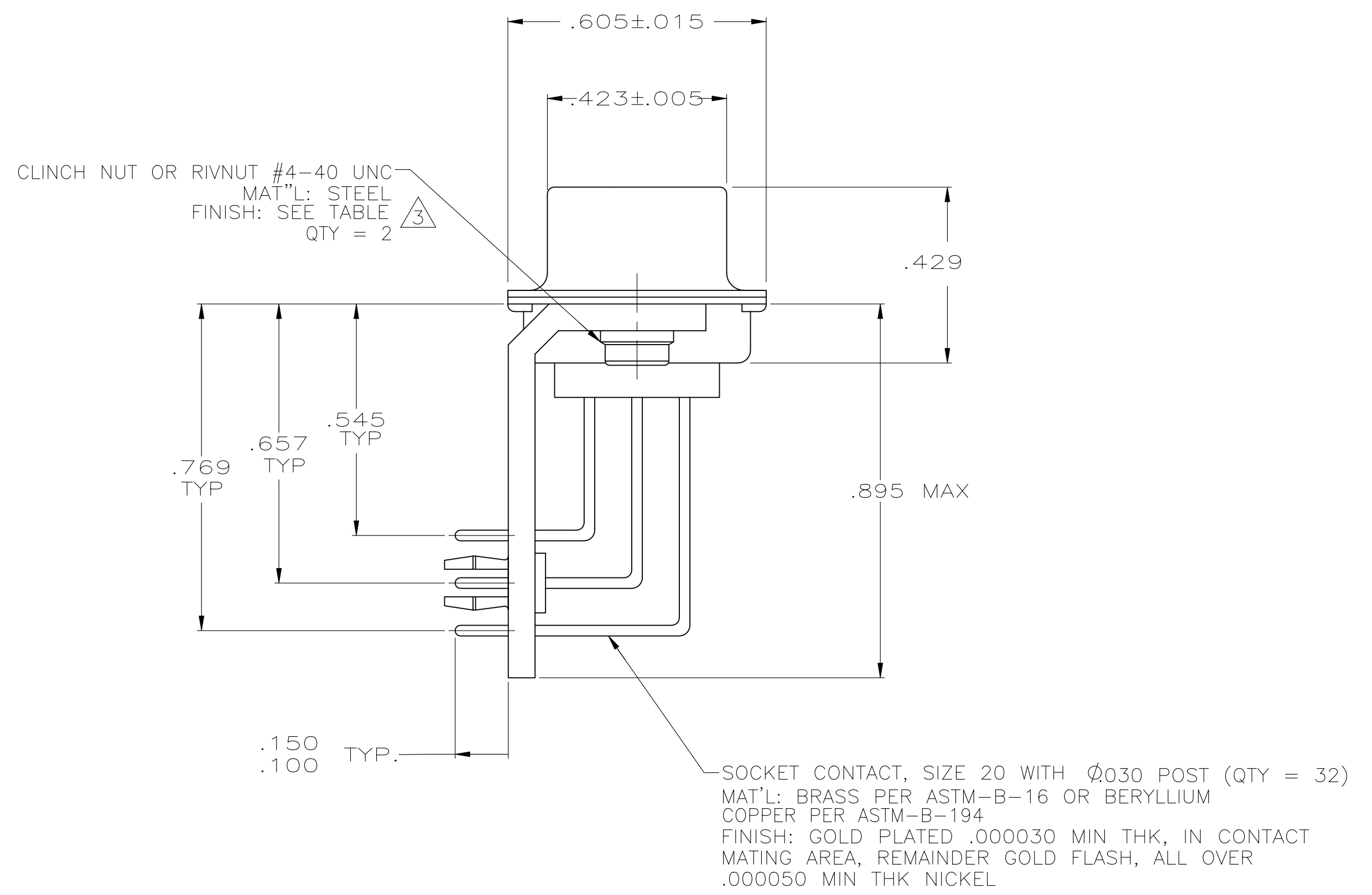
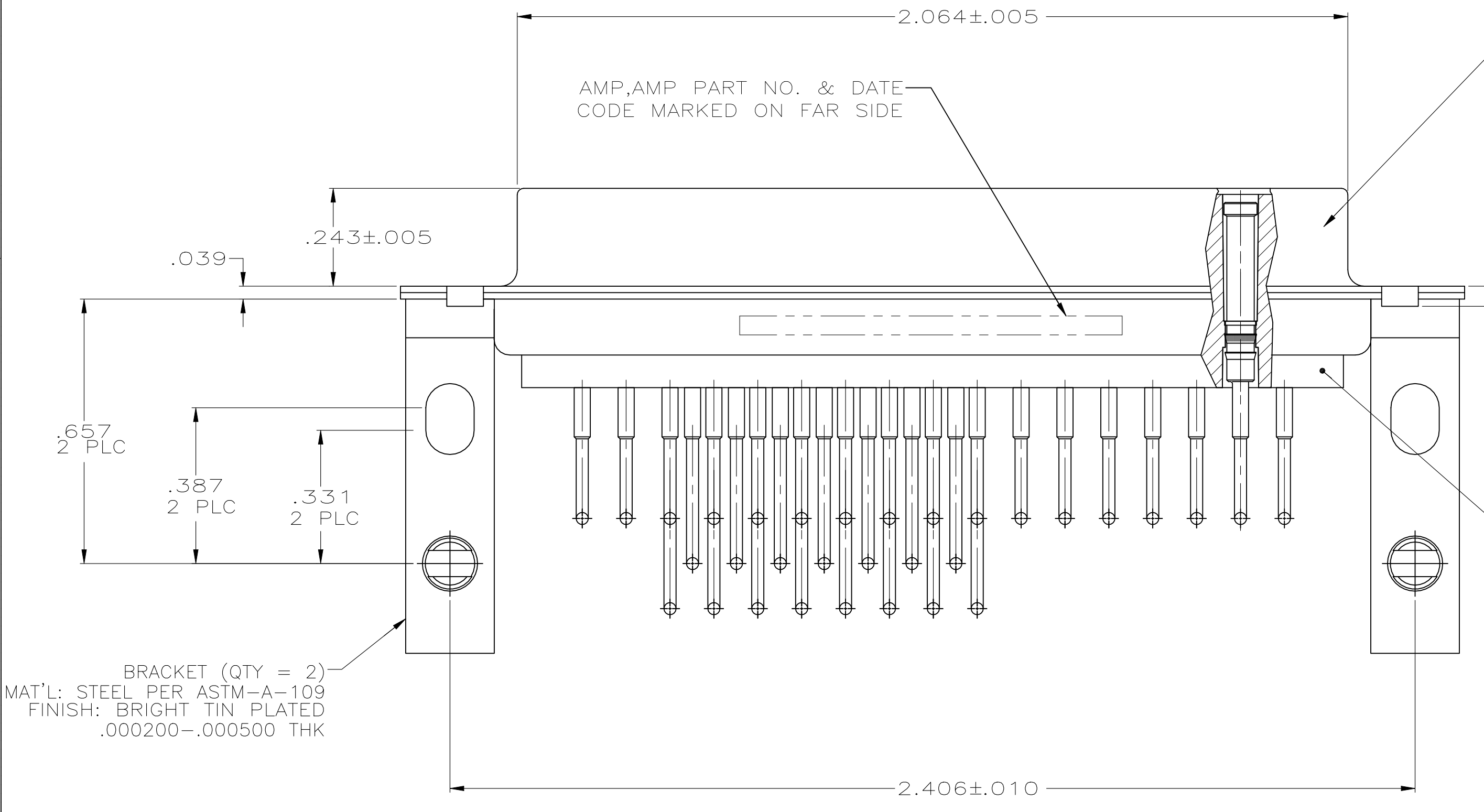


REVISIONS				
P	LTR	DESCRIPTION	DATE	BY
N		REVISED PER ECN-24-271871	21JUN2024	PE DS



RECOMMENDED P.C. BOARD LAYOUT



- THIS RECEPTACLE WILL MATE WITH ANY 36C4 SIZE 5 PLUG IN THE AMPLIMITE SERIES.
 - THIS CONNECTOR ACCEPTS SIZE 8 POWER OR COAX SOCKET CONTACTS. (QTY = 4) NOT INCLUDED. CONSULT PRODUCT ENGINEERING FOR ADDITIONAL INFORMATION.
- △ RIVNUT MAY BE USED AS ALTERNATE. (SEE DETAIL A). (445029-1 ONLY)

WARNING - THIS DOCUMENT CONTAINS TECHNOLOGY WHOSE EXPORT IS RESTRICTED BY THE EXPORT ADMINISTRATION REGULATIONS ("EAR") PURSUANT TO 15 C.F.R. PARTS 730-774. VIOLATIONS OF THE EAR ARE SUBJECT TO SEVERE CRIMINAL PENALTIES UNDER THE EXPORT CONTROL REFORM ACT, AS AMENDED (TITLE 50, U.S.C., SEC. 4801, ET SEQ.).

445029-1 OBSOLETE	MATTE TIN PLATED .000100 MIN THK	ZINC PLATED .000100 MIN THK WITH SUPPLEMENTARY CHROMATE	ZINC PLATED .000200 MIN THK WITH SUPPLEMENTARY CHROMATE	RoHS COMPLIANT	5-445029-1
	MATTE TIN-LEAD .000100 MIN THK	ZINC PLATED .000100 MIN THK YELLOW CHROMATE	CADMIUM PLATED .000300-.000500 THK PER QQ-P-416, YELLOW CHROMATE	AS SHOWN	445029-1
	BOARDLOCK FINISH	CLINCH NUT FINISH	SHELL FINISH	DESCRIPTION	PART NO.

THIS DRAWING IS A CONTROLLED DOCUMENT.		DIN C.C. THOMAS 4-15-03		STE TE Connectivity	
DIMENSIONS: INCHES		TOLERANCES UNLESS OTHERWISE SPECIFIED:		NAME	
0 PLC ± .010		1 PLC ± .005		D. MILLER 4-15-03	
2 PLC ± .005		3 PLC ± .003		PRODUCT SPEC	
4 PLC ± .002		ANGLES ± 0°30'		APPLICATION SPEC	
MATERIAL SEE CALLOUTS		FINISH SEE CALLOUTS		SIZE CASE CODE DRAWING NO. RESTRICTED TO	
				A1 00779 C=445029	
				CUSTOMER DRAWING SCALE 4:1 SHEET 1 of 1 REV N	