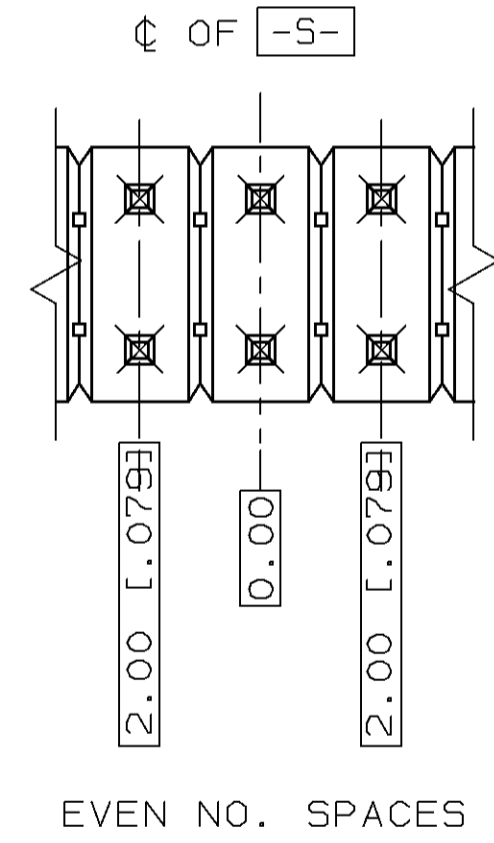
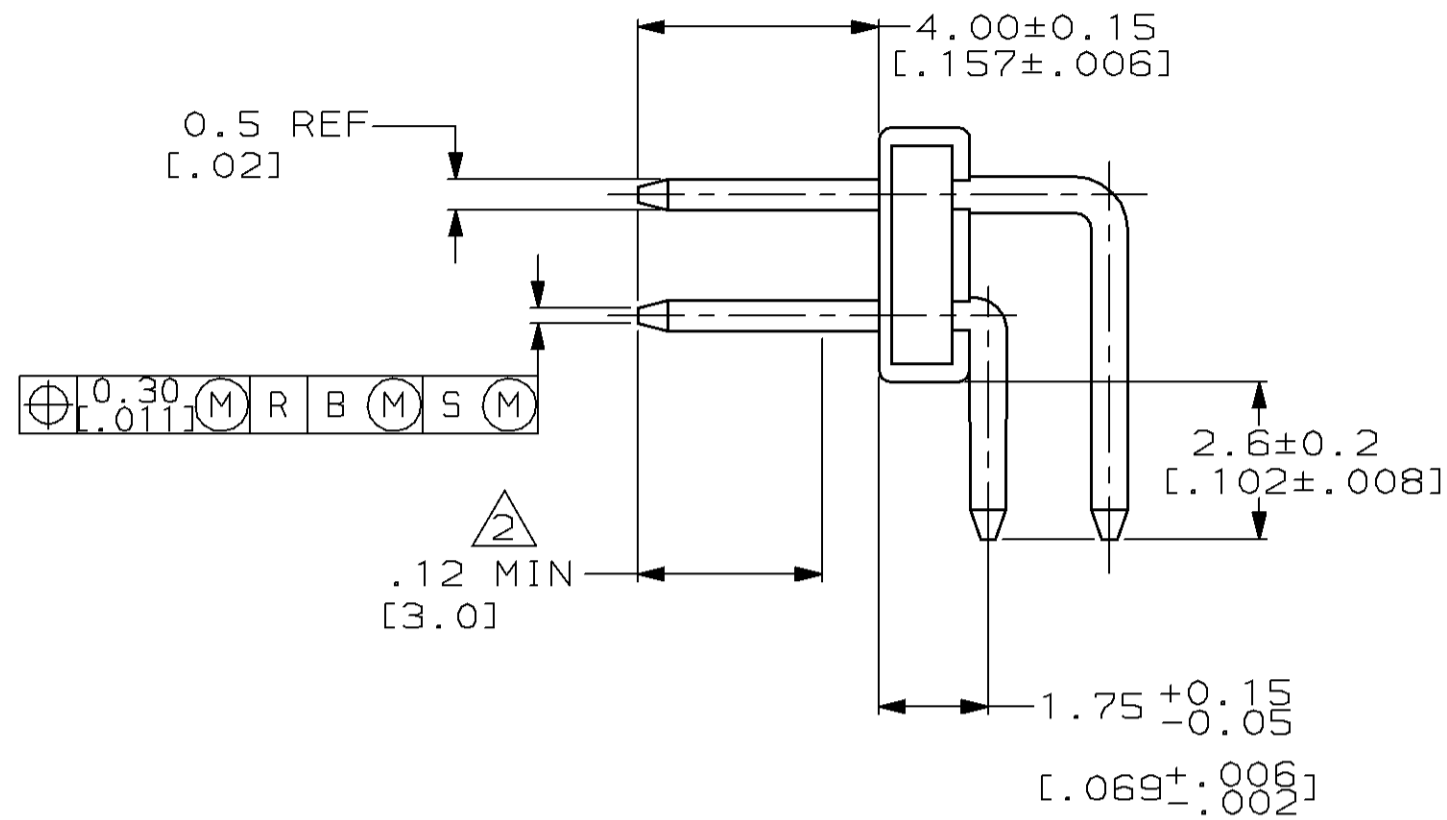
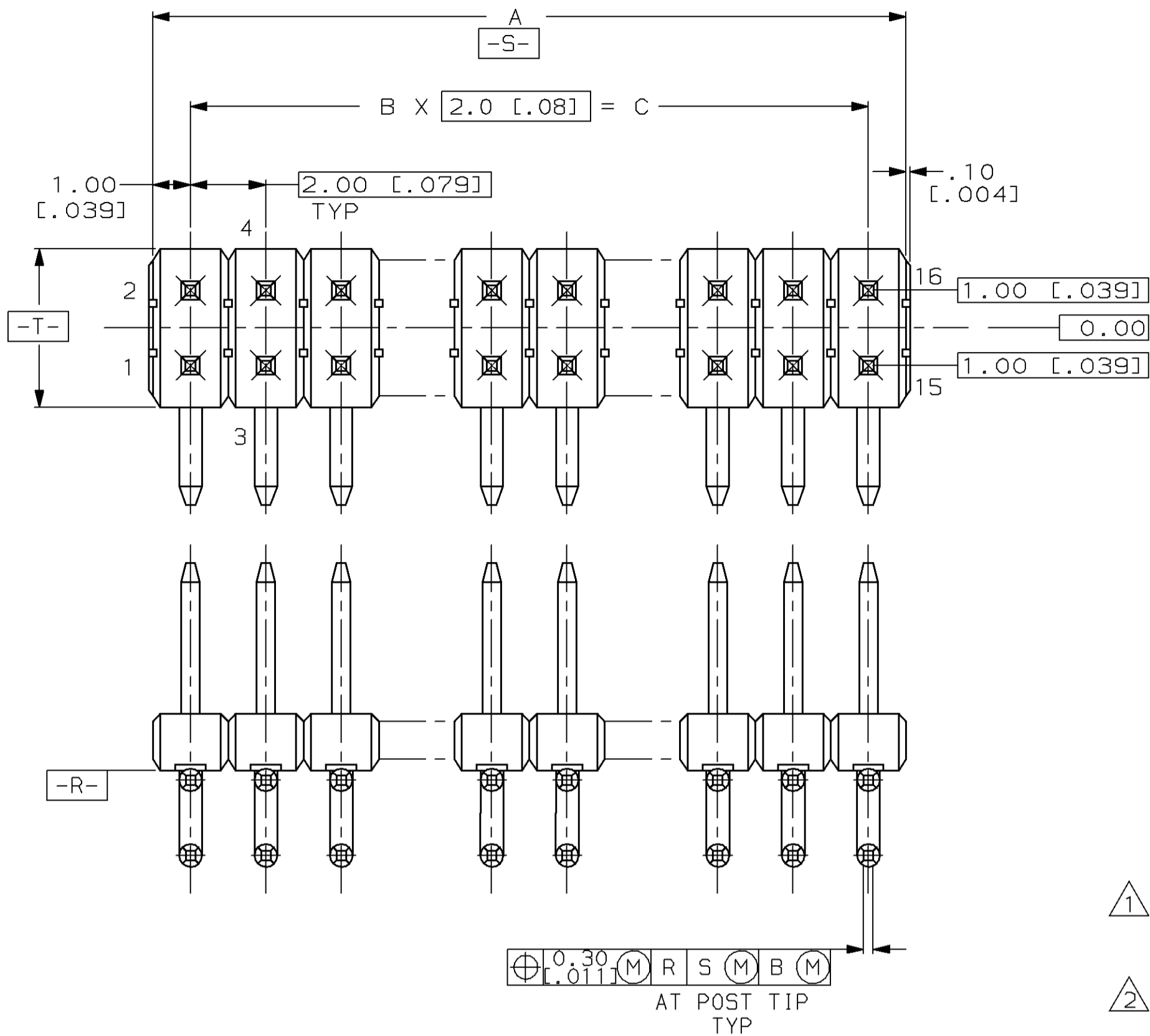


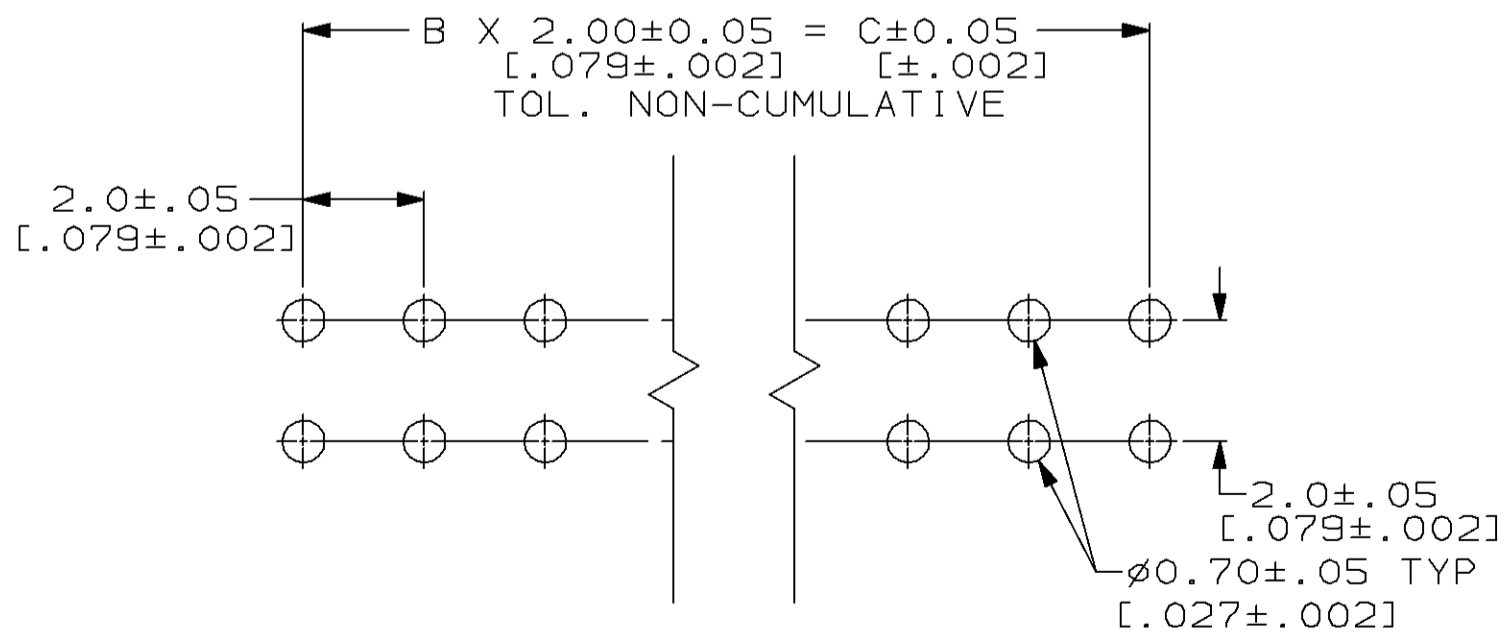
THIS DRAWING IS UNPUBLISHED. RELEASED FOR PUBLICATION  
 © COPYRIGHT 19 BY AMP INCORPORATED. ALL RIGHTS RESERVED.

LOC		DIST		REVISIONS			
P	LTR	DESCRIPTION		DATE	DWN	APVD	
DF	SO	A	REV PER 0600-5697-96	9-96	CT	DE	



- 1 MATERIAL:  
HOUSING: THERMOPLASTIC, UL 94V-0.  
POST: BRASS
- 2 FINISH: CONTACT AREA, 0.0002 MIN AU ON NICKEL 0.0013 MIN ALL OVER.  
POST TINE: 0.002 MIN TIN-LEAD
- 3 PINS #1 & #8 ARE OMITTED.
- 4 PINS #3 & #16 ARE OMITTED.
- 5 PINS #5 & #16 ARE OMITTED.

$\oplus \text{ } 0.30 \text{ [.011]} \text{ (M) R S (M) B (M)}$   
 AT POST TIP  
 TYP



RECOMMENDED HOLE LAYOUT  
 PCB THICKNESS:  $1.6 \pm 0.1 \text{ [.063} \pm .004]$

MOTOROLA PART NO. REF	REMARKS	DIM C	B SPACES	DIM A	NO OF POSN	PART NUMBER
1472AS374-5	5	14.0 [.55]	7	16.0 [.63]	16	443537-3
1472AS374-4	4	14.0 [.55]	7	16.0 [.63]	16	443537-2
1472AS374-3	3	6.0 [.24]	3	8.0 [.31]	8	443537-1

THIS DRAWING IS A CONTROLLED DOCUMENT FOR AMP INCORPORATED. IT IS SUBJECT TO CHANGE AND THE CONTROLLING ENGINEERING ORGANIZATION SHOULD BE CONTACTED FOR THE LATEST REVISION.

DIMENSIONS: mm [INCHES]	TOLERANCES UNLESS OTHERWISE SPECIFIED:	DWN C.C. THOMAS 12-11-95	AMP Incorporated Harrisburg, PA 17105-3608
0 PLC ±	1 PLC ±	CHK D.EABY 1-16-96	
2 PLC ±	3 PLC ±	APVD D.EABY 1-16-96	
4 PLC ±	ANGLES ±	PRODUCT SPEC	
MATERIAL 1	FINISH 2	APPLIC. SPEC	NAME AMPMODU 2mm DRRA/A HEADER, SELECT LOADED WITH SPECIAL TESTING
		WEIGHT	SIZE A2
		CUSTOMER DRAWING	CAGE CODE 00779
			DRAWING NO 443537
			SCALE 8:1
			SHEET 1 OF 1
			REV A