

4

3

2

1

THIS DRAWING IS UNPUBLISHED.

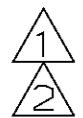
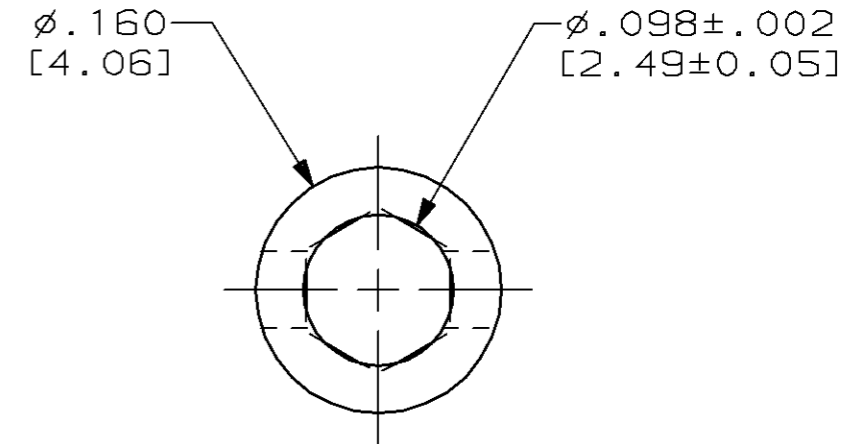
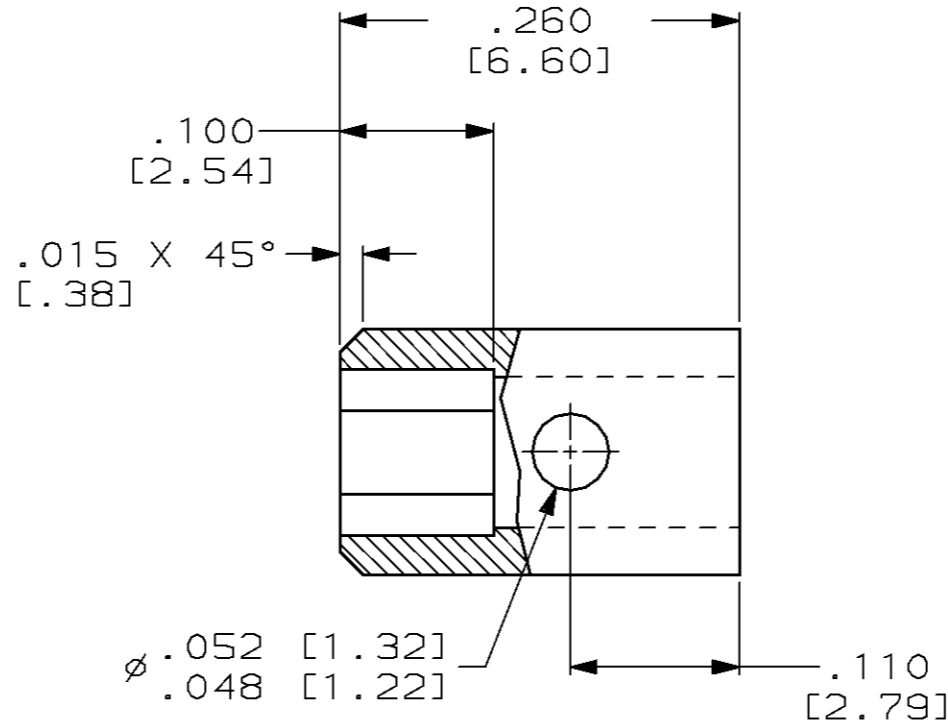
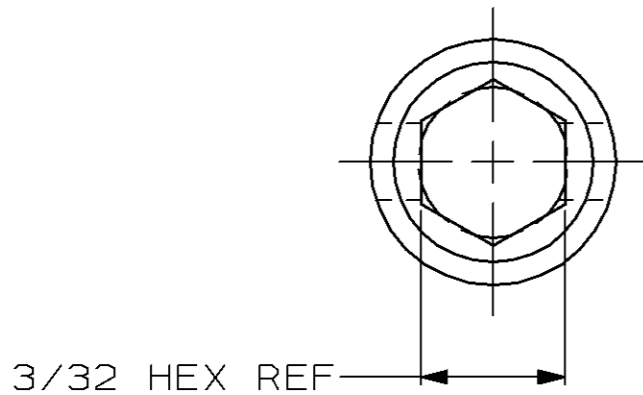
RELEASED FOR PUBLICATION

,19

© COPYRIGHT 19

BY AMP INCORPORATED. ALL RIGHTS RESERVED.

LOC		DIST		REVISIONS			
P	LTR	DESCRIPTION		DATE	DWN	APVD	
	0	REL PER 0600-5012-95		12-12-95	TA	DG	



1 STAINLESS STEEL PER ASTM-A-582  
 2 PASSIVATED PER QQ-P-35

443378-1  
 PART NUMBER

<small>THIS DRAWING IS A CONTROLLED DOCUMENT FOR AMP INCORPORATED. IT IS SUBJECT TO CHANGE AND THE CONTROLLING ENGINEERING ORGANIZATION SHOULD BE CONTACTED FOR THE LATEST REVISION.</small>		DWN	T. ALEXANDER	12-11-95	AMP Incorporated Harrisburg, PA 17105-3608		
DIMENSIONS: INCHES [mm]		CHK	D. GUTTER	12-12-95			
		APVD	D. GUTTER	12-12-95			
TOLERANCES UNLESS OTHERWISE SPECIFIED: 0 PLC ±- 1 PLC ±- 2 PLC ±- 3 PLC ±.005 [0.13] 4 PLC ±- ANGLES ±- FINISH		PRODUCT SPEC	NAME			MINI-BOX, JACKSCREW, MALE, FIXED	
MATERIAL		APPLICATION SPEC	SIZE		CAGE CODE	DRAWING NO	
1		WEIGHT	A3		00779	C-443378	
2		CUSTOMER DRAWING	SCALE		SHEET	OF	REV
			8:1		1	1	0