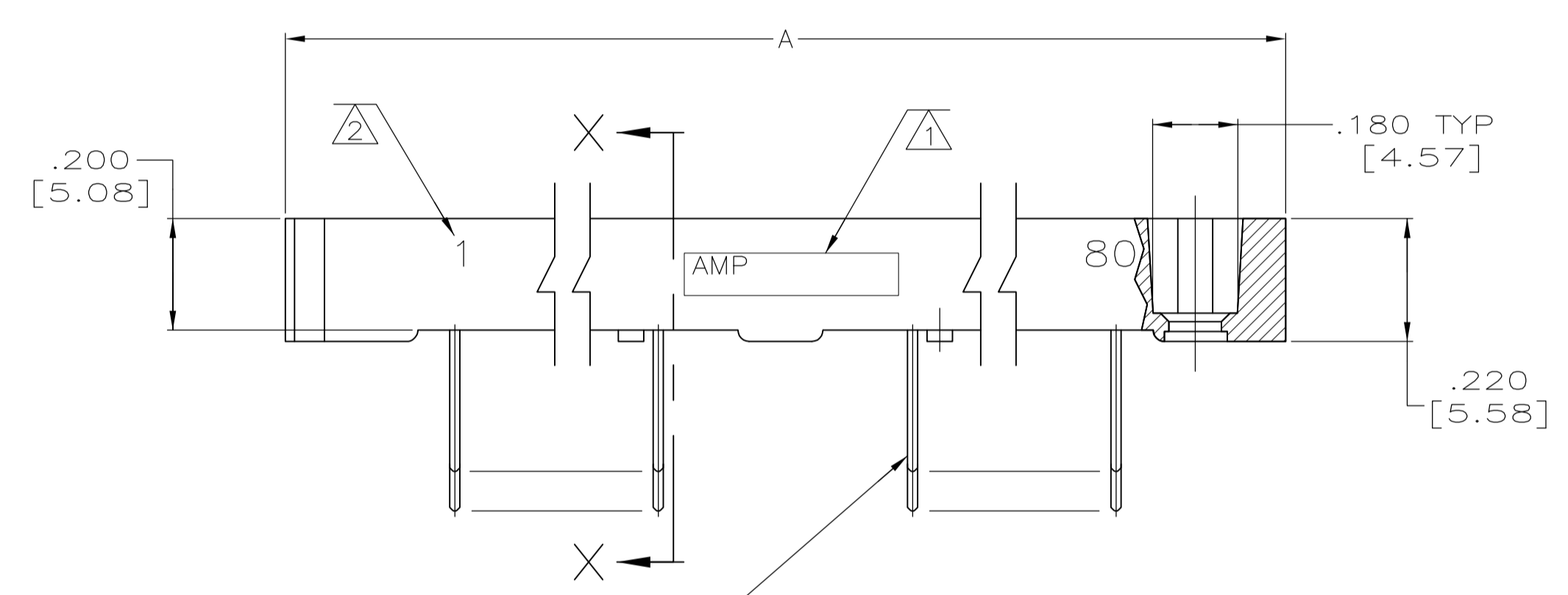
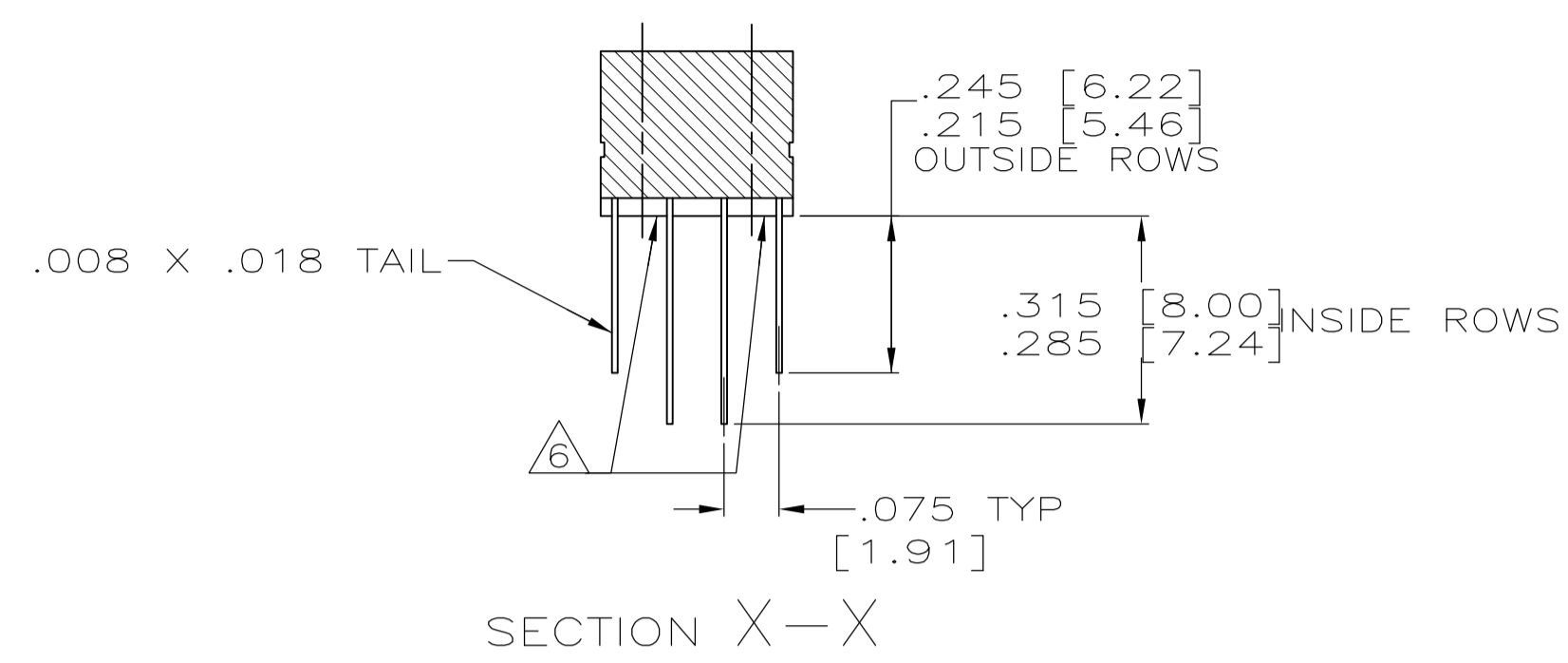
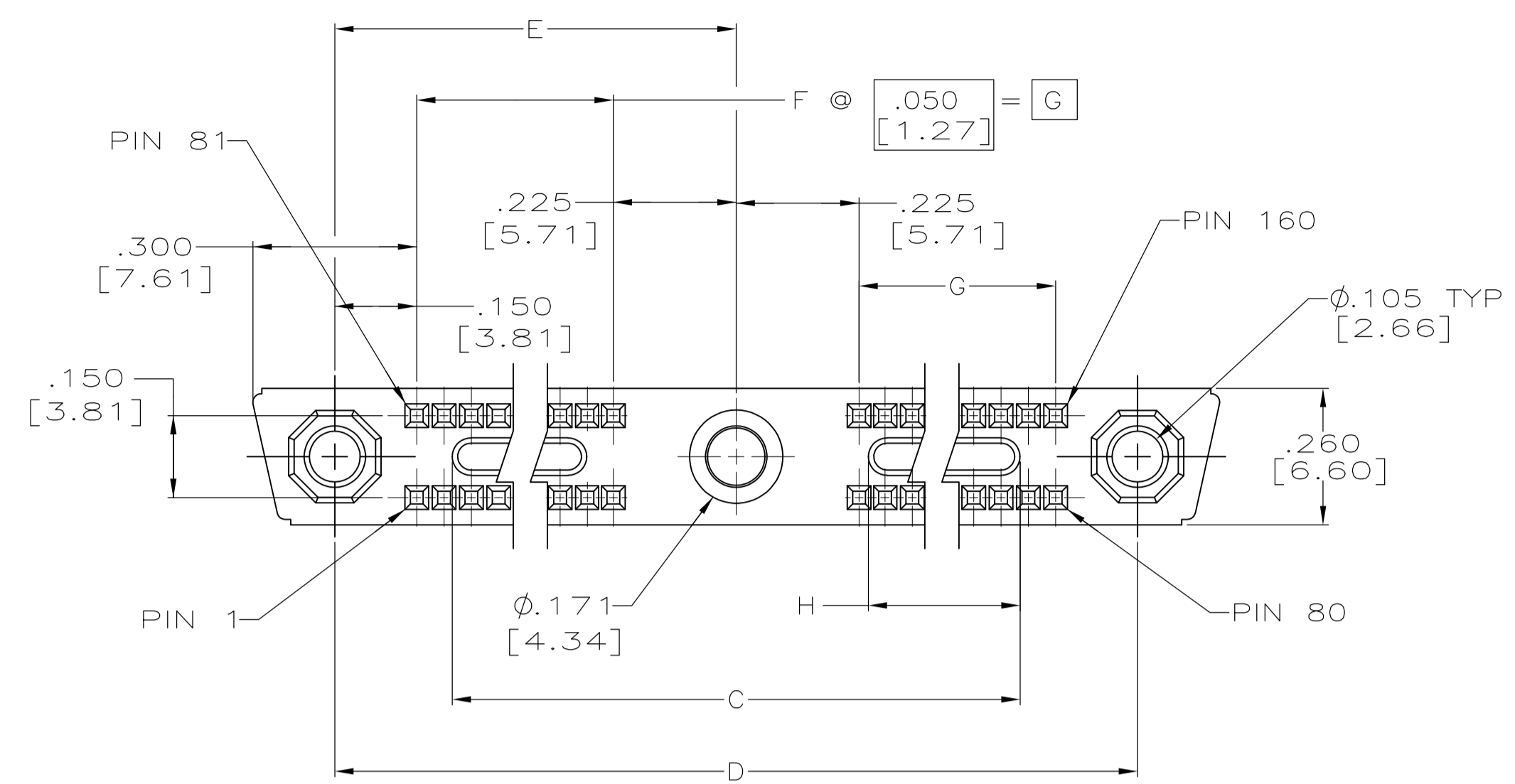
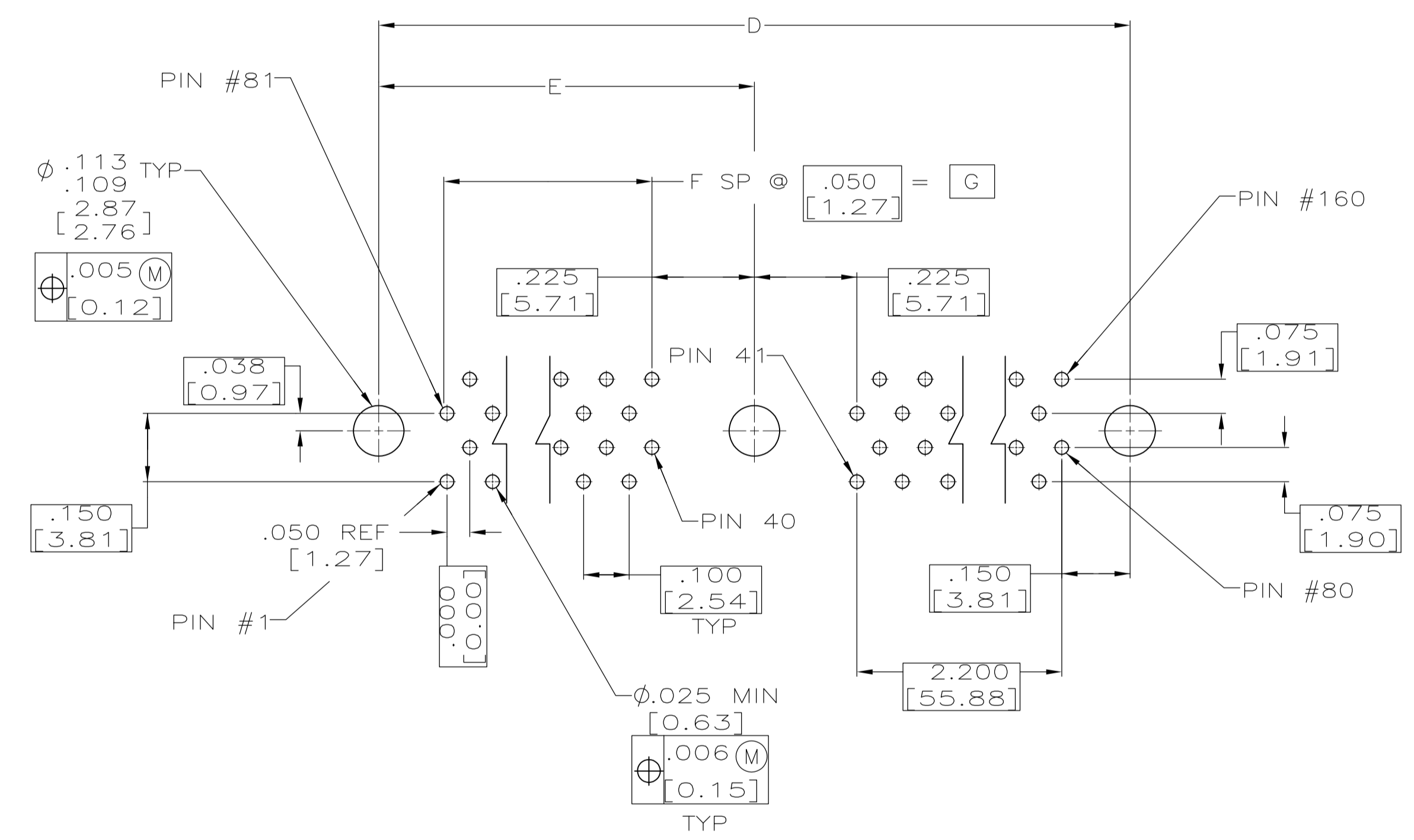
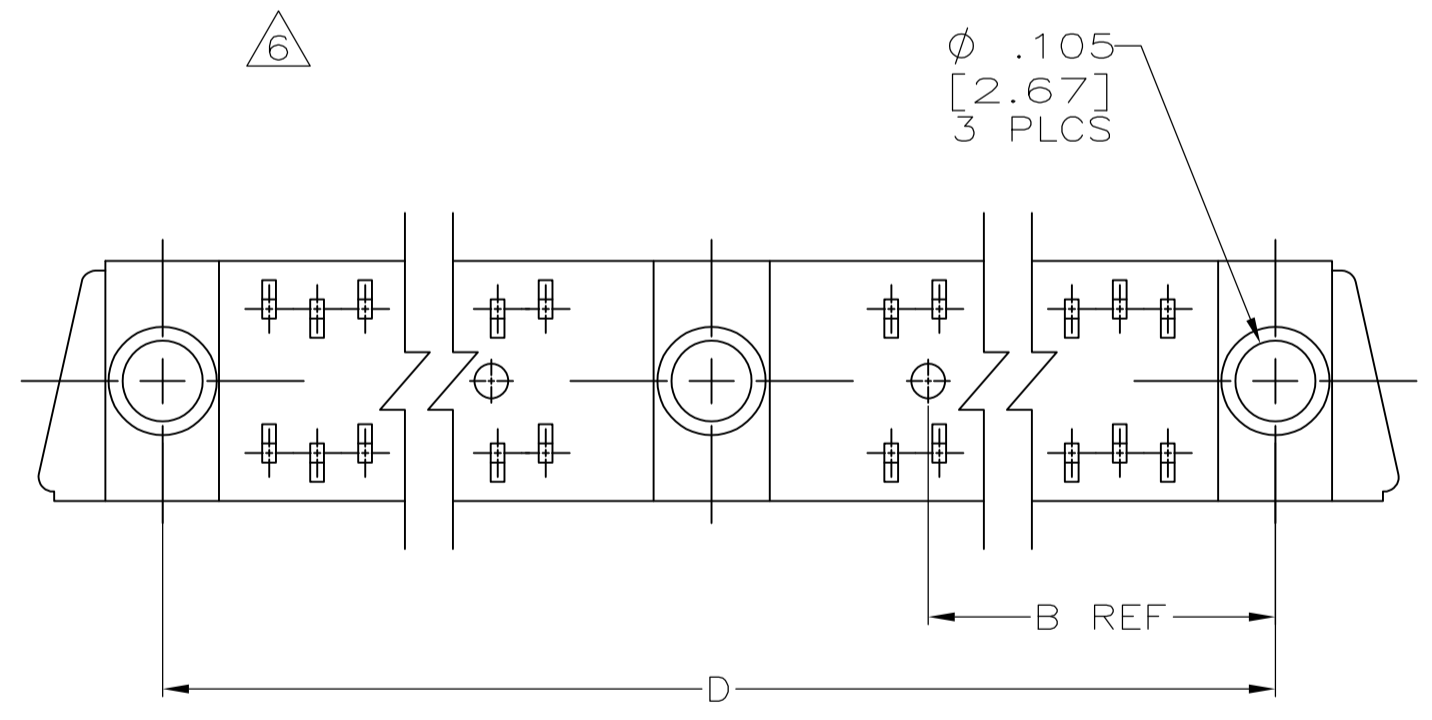


REVISIONS					
P	LTR	DESCRIPTION	DATE	DMN	APVD
A	REL -2	PER 0600-3553-95	2-9-95	TA	DG
B	REVISED	PER 0600-3710-95	6-5-95	TA	DG
C	REVISED	PER ECO-16-017894	20APR2017	PHM	CT



CONTACTS (QTY=160)  
MAT'L:Be Cu PER QQ-C-533



P.C. BOARD LAYOUT (CONNECTOR SIDE)

- 1 AMP, AMP PART NUMBER, CAGE CODE, CUSTOMER PART NUMBER AND DATE CODE MARKED IN THIS APPROXIMATE AREA.
- 2 NUMBERS INDICATING END POSITIONS MARKED THIS SIDE ONLY.
- 3 MEETS ALL APPLICABLE REQUIREMENTS OF MIL-C-55302.
- 4 FINISH: .000050[0.0012] GOLD PER MIL-G-45204 OVER NICKEL PER QQ-N-290 IN CONTACT AREA. REMAINDER OF CONTACT TIN-LEAD OVER NICKEL.
- 5 HOUSING MATERIAL: LIQUID CRYSTAL POLYMER PER MIL-M-24519, GLCP-30F; COLOR: GRAY.
- 6 BOTTOM SURFACE OF HOUSING SEALED.

13328436	1 & 80	1.800 [45.72]	1.950 [49.53]	39	2.325 [59.06]	4.650 [118.11]	4.200 [106.68]	1.162 [29.51]	4.950 [125.73]	160	4403040-2
34103972-001	1 & 80	1.800 [45.72]	1.950 [49.53]	39	2.325 [59.06]	4.650 [118.11]	4.200 [106.68]	1.162 [29.51]	4.950 [125.73]	160	4403040-1
CUSTOMER PART NUMBER	CONTACT IDENT NUMBERS	H	G	F	E	D	C	B	A	NUMBER OF CONTACTS	PART NUMBER

THIS DRAWING IS A CONTROLLED DOCUMENT.

DIMENSIONS:	TOLERANCES UNLESS OTHERWISE SPECIFIED:	APPROVED	DATE
mm	0 PLC ± -	T. ALEXANDER	9-15-94
	1 PLC ± -	CHK	9-16-94
	2 PLC ± -	D. GUTTER	
	3 PLC ± .010 [0.25]	APPROVED	9-16-94
	4 PLC ± -	NAME	
	ANGLES ± 0° 30'	PRODUCT SPEC	
MATERIAL	FINISH	APPLICATION SPEC	
		WEIGHT	

STE TE Connectivity

RECEPTACLE ASSEMBLY, EXTENDED MINI-BOX WITH LOW FORCE CONTACTS, SPECIAL

SIZE: A1 CAGE CODE: 00779 DRAWING NO: 443040 RESTRICTED TO: -

CUSTOMER DRAWING SCALE: 4:1 SHEET: 1 OF 1 REV: C